



# 650W Portable Oscillating Spindle Sander

TSPSP650

## EN Operating & Safety Instructions

**NL** Bedienings- en veiligheidsvoorschriften

**IT** Istruzioni per l'uso e la sicurezza

**ES** Instrucciones de uso y de seguridad

**PL** Instrukcja obsługi i bezpieczeństwa

**FR** Instructions d'utilisation et consignes de sécurité

**DE** Gebrauchs- und Sicherheitsanweisung

**PT** Instruções de Operação e Segurança

**RU** Инструкции по эксплуатации и правила техники безопасности

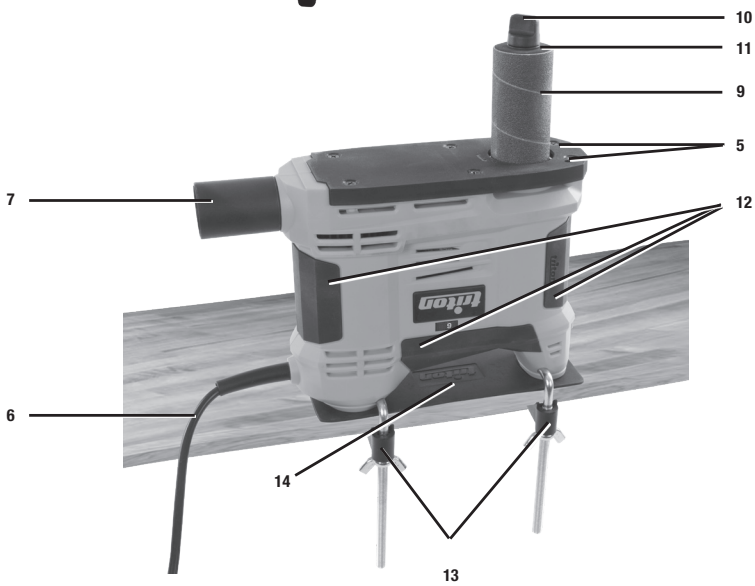


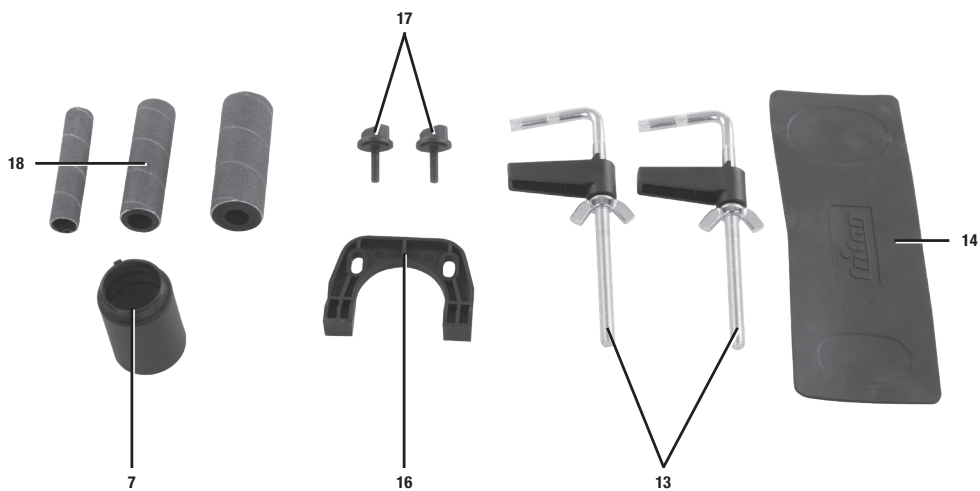
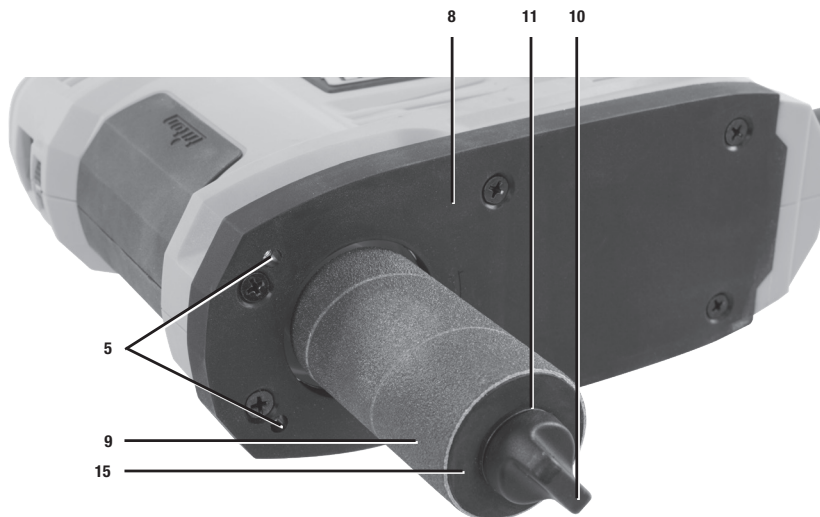
Version date: 24.01.22

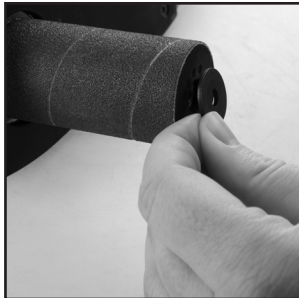
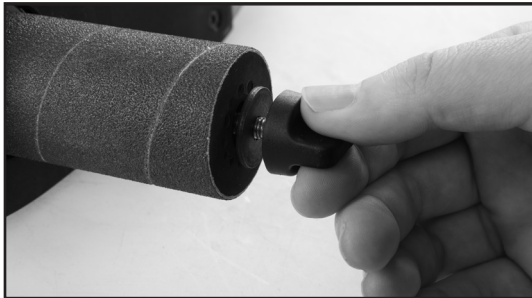
Designed in Europe 

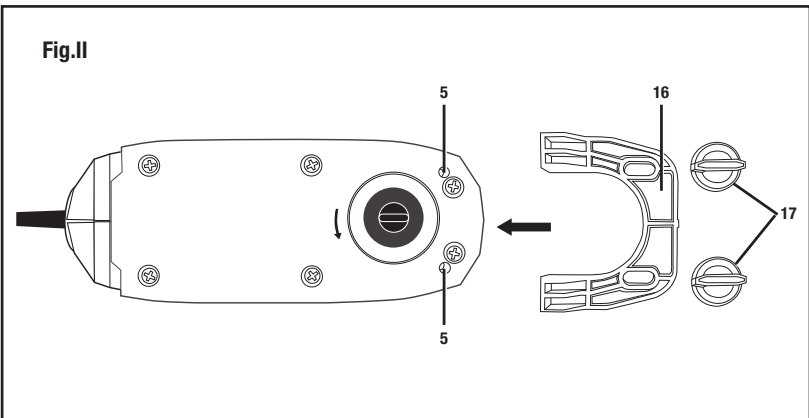
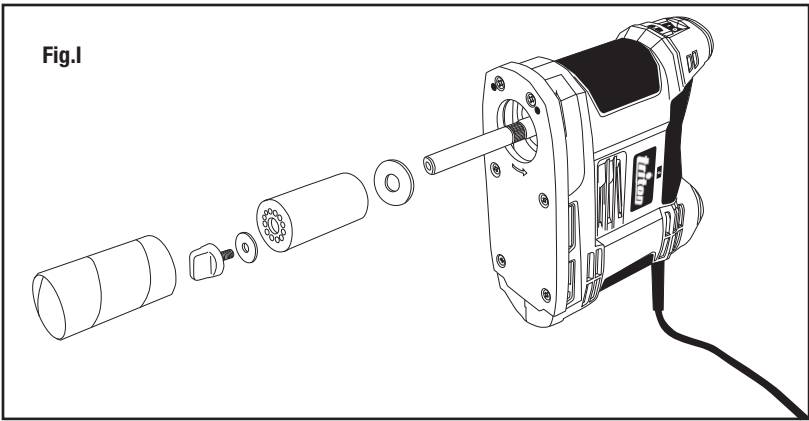
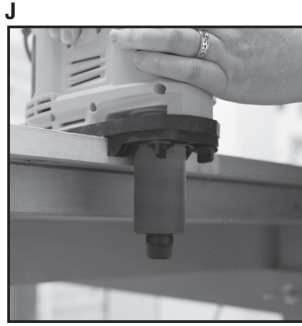
[tritontools.com](http://tritontools.com)







**A****B****C****D****E****F****G****H**



# Original Instructions

## Introduction

Thank you for purchasing this Triton product. This manual contains information necessary for safe and effective operation of this product. This product has unique features and, even if you are familiar with similar products, it is necessary to read this manual carefully to ensure you fully understand the instruction. Ensure all users of the tool read and fully understand this manual. Keep these instructions with the product for future reference.

## Description of Symbols

The rating plate on your tool may show symbols. These represent important information about the product or instructions on its use.



Wear hearing protection  
Wear eye protection  
Wear breathing protection  
Wear head protection



Wear hand protection



Read instruction manual



Dust extraction required or recommended



For indoors use only!



Always disconnect from the power supply when adjusting, changing accessories, cleaning, carrying out maintenance and when not in use!



Class II construction (double insulated for additional protection)



**Environmental Protection**  
Waste electrical products should not be disposed of with household waste. Please recycle where facilities exist. Check with your local authority or retailer for recycling advice.



Conforms to relevant legislation and safety standards.



Caution!




Toxic fumes or gases!

## Technical Abbreviations Key

V	Volts
~	Alternating current
A, mA	Ampere, milli-Amp
n <sub>0</sub>	No load speed
opm	Orbits or oscillations per minute
Ø	Diameter
Hz	Hertz
W, kW	Watt, kilowatt
min <sup>-1</sup>	Revolutions or reciprocations per minute (rpm)
dB(A)	Decibel sound level (A weighted)
m/s <sup>2</sup>	Metres per second squared (vibration magnitude)

## Specification

<b>Model number</b>	TSPSP650
<b>Voltage</b>	230 - 240V - 50/60Hz
<b>Power</b>	650W
<b>No load speed</b>	1800-3200min <sup>-1</sup>
<b>Spindle oscillations</b>	50-90opm
<b>Stroke length</b>	6.5mm
<b>Sleeve length</b>	76mm
<b>Sleeve diameters</b>	Ø13mm, Ø19mm, Ø26mm, Ø38mm
<b>Protection class</b>	
<b>Ingress protection</b>	IP20
<b>Power cord length</b>	2m
<b>Dimensions (L x W x H)</b>	262 x 84 x 261mm
<b>Weight</b>	2.2kg
<b>Sound and vibration information</b>	
<b>Sound pressure L<sub>PA</sub></b>	86.4dB(A)
<b>Sound power L<sub>WA</sub></b>	97.4dB(A)
<b>Uncertainty K</b>	3dB
<b>Weighted vibration a<sub>w</sub></b>	4.874m/s <sup>2</sup>
<b>Uncertainty K</b>	1.5m/s <sup>2</sup>
<b>The sound intensity level for the operator may exceed 85dB(A) and sound protection measures are necessary.</b>	

**⚠ WARNING:** Always wear ear protection where the sound level exceeds 85dB(A) and limit the time of exposure if necessary. If sound levels are uncomfortable, even with ear protection, stop using the tool immediately and check the ear protection is correctly fitted and provides the correct level of sound attenuation for the level of sound produced by your tool.

**⚠ WARNING:** User exposure to tool vibration can result in loss of sense of touch, numbness, tingling and reduced ability to grip. Long term exposure can lead to a chronic condition. If necessary, limit the length of time exposed to vibration and use anti-vibration gloves. Do not operate the tool with hands below a normal comfortable temperature, as vibration will have a greater effect. Use the figures provided in the specification relating to vibration to calculate the duration and frequency of operating the tool.

**⚠ WARNING:** The vibration emission during actual use of the power tool can differ from the declared total value depending on the ways in which the tool is used. There is the need to identify safety measures to protect the operator that are based on an estimation of exposure in the actual conditions of use (taking account of all parts of the operating cycle such as the times when the tool is switched off and when it is running idle in addition to the trigger time).

The declared vibration total value has been measured in accordance with a standard test method and may be used for comparing one tool with another. The declared vibration total value may also be used in a preliminary assessment of exposure.

Sound levels in the specification are determined according international standards. The figures represent normal use for the tool in normal working conditions. A poorly maintained, incorrectly assembled, or misused tool, may produce increased levels of noise and vibration. [www.osha.europa.eu](http://www.osha.europa.eu) provides information on sound and vibration levels in the workplace that may be useful to domestic users who use tools for long periods of time.

## General Power Tool Safety Warnings

**⚠ WARNING:** Read all safety warnings, instructions, illustrations and specifications provided with this power tool. Failure to follow all instructions listed below may result in electric shock, fire and/or serious injury.

Save all warnings and instructions for future reference.

The term "power tool" in the warnings refers to your mains-operated (corded) power tool or battery-operated (cordless) power tool.

### 1) Work area safety

- Keep work area clean and well lit. Cluttered or dark areas invite accidents.
- Do not operate power tools in explosive atmospheres, such as in the presence of flammable liquids, gases or dust. Power tools create sparks which may ignite the dust or fumes.
- Keep children and bystanders away while operating a power tool. Distractions can cause you to lose control.

### 2) Electrical safety

- Power tool plugs must match the outlet. Never modify the plug in any way. Do not use any adapter plugs with earthed (grounded) power tools. Unmodified plugs and matching outlets will reduce risk of electric shock.
- Avoid body contact with earthed or grounded surfaces, such as pipes, radiators, ranges and refrigerators. There is an increased risk of electric shock if your body is earthed or grounded.
- Do not expose power tools to rain or wet conditions. Water entering a power tool will increase the risk of electric shock.
- Do not abuse the cord. Never use the cord for carrying, pulling or unplugging the power tool. Keep cord away from heat, oil, sharp edges or moving parts. Damaged or entangled cords increase the risk of electric shock.
- When operating a power tool outdoors, use an extension cord suitable for outdoor use. Use of a cord suitable for outdoor use reduces the risk of electric shock.
- If operating a power tool in a damp location is unavoidable, use a residual current device (RCD) protected supply. Use of an RCD reduces the risk of electric shock.
- When used in Australia or New Zealand, it is recommended that this tool is ALWAYS supplied via Residual Current Device (RCD) with a rated residual current of 30mA or less.
- Use proper extension cord. Make sure your extension cord is in good condition. When using an extension cord, be sure to use one heavy enough to carry the current your product will draw. An undersized cord will cause a drop in line voltage resulting in loss of power and overheating.

### 3) Personal safety

- Stay alert, watch what you are doing and use common sense when operating a power tool. Do not use a power tool while you are tired or under the influence of drugs, alcohol or medication. A moment of inattention while operating power tools may result in serious personal injury.
- Use personal protective equipment. Always wear eye protection. Protective equipment such as a dust mask, non-skid safety shoes, hard hat or hearing protection used for appropriate conditions will reduce personal injuries.

- Prevent unintentional starting. Ensure the switch is in the OFF-position before connecting to power source and/or battery pack, picking up or carrying the tool. Carrying power tools with your finger on the switch or energising power tools that have the switch ON invites accidents.
  - Remove any adjusting key or wrench before turning the power tool ON. A wrench or a key left attached to a rotating part of the power tool may result in personal injury.
  - Do not overreach. Keep proper footing and balance at all times. This enables better control of the power tool in unexpected situations.
  - Dress properly. Do not wear loose clothing or jewellery. Keep your hair and clothing away from moving parts. Loose clothes, jewellery or long hair can be caught in moving parts.
  - If devices are provided for the connection of dust extraction and collection facilities, ensure these are connected and properly used. Use of dust collection can reduce dust-related hazards.
  - Do not let familiarity gained from frequent use of tools allow you to become complacent and ignore tool safety principles. A careless action can cause severe injury within a fraction of a second.
- ### 4) Power tool use and care
- Do not force the power tool. Use the correct power tool for your application. The correct power tool will do the job better and safer at the rate for which it was designed.
  - Do not use the power tool if the switch does not turn it ON and OFF. Any power tool that cannot be controlled with the switch is dangerous and must be repaired.
  - Disconnect the plug from the power source and/or remove the battery pack, if detachable, from the power tool before making any adjustments, changing accessories, or storing power tools. Such preventive safety measures reduce the risk of starting the power tool accidentally.
  - Store idle power tools out of the reach of children and do not allow persons unfamiliar with the power tool or these instructions to operate the power tool. Power tools are dangerous in the hands of untrained users.
  - Maintain power tools and accessories. Check for misalignment or binding of moving parts, breakage of parts and any other condition that may affect the power tool's operation. If damaged, have the power tool repaired before use. Many accidents are caused by poorly maintained power tools.
  - Keep cutting tools sharp and clean. Properly maintained cutting tools with sharp cutting edges are less likely to bind and are easier to control.
  - Use the power tool, accessories and tool bits, etc. in accordance with these instructions, taking into account the working conditions and the work to be performed. Use of the power tool for operations different from those intended could result in a hazardous situation.
  - Keep handles and grasping surfaces dry, clean and free from oil and grease. Slippery handles and grasping surfaces do not allow for safe handling and control of the tool in unexpected situations.
- ### 5) Service
- Have your power tool serviced by a qualified repair person using only identical replacement parts. This will ensure that the safety of the power tool is maintained.

## Specific Safety

### Sanding Tool Safety

**⚠ WARNING!**

- Hold the power tool by insulated handles or gripping surfaces only, because the sanding belt/sheet may contact its own cord. Cutting a "live" wire may make exposed metal parts of the power tool "live" and could give the operator an electric shock.
  - Use clamps or another practical way to secure the workpiece to a stable platform. Holding the workpiece by hand or against the body makes it unstable and may lead to loss of control.
- ALWAYS wear appropriate protective equipment, including a dust mask with a minimum FFP2 rating, eye protection and ear defenders
  - Ensure all people in the vicinity of the work area are also equipped with suitable personal protective equipment
  - Take special care when sanding some woods (such as beech, oak, mahogany and teak). The dust produced is toxic and can cause extreme reactions
  - NEVER use to process any materials containing asbestos. Consult qualified professional, if you are uncertain whether an object contains asbestos
  - DO NOT sand magnesium or alloys containing a high percentage of magnesium
  - Be aware of paint finishes or treatments that may have been applied to the material that is being sanded. Many treatments can create dust that is toxic, or otherwise harmful. If working on a building constructed prior to 1960, there is an increased chance of encountering lead-based paints
  - The dust produced when sanding lead-based paints is particularly hazardous to children, pregnant women, and people with high blood pressure. DO NOT allow these people near to the work area, even if wearing appropriate personal protective equipment
  - Whenever possible, use a vacuum dust extraction system to control dust and waste
  - Be especially careful when using a machine for both wood and metal sanding. Sparks from metal can easily ignite wood dust. ALWAYS clean your machine thoroughly to reduce the risk of fire

- j) **Empty the dust bag or container (where applicable) frequently during use, before taking breaks and after completion of sanding.** *Dust may be an explosion hazard. DO NOT throw sanding dust into an open fire. Spontaneous combustion may occur when oil or water particles come into contact with dust particles. Dispose of waste materials carefully and in accordance with local laws and regulations.*
- k) **Work surfaces and sandpaper can become very hot during use. If there is evidence of burning (smoke or ash) from the work surface, stop and allow the material to cool. DO NOT touch work surface or sandpaper until they have had time to cool**
- l) **DO NOT touch the moving sandpaper**
- m) **ALWAYS switch off before you put the sander down**
- n) **DO NOT use for wet sanding.** *Liquids entering the motor housing can cause severe electric shocks*
- o) **ALWAYS unplug the sander from the mains power supply before changing or replacing sandpaper**
- p) **Even when this tool is used as prescribed it is not possible to eliminate all residual risk factors.** *If you are in any doubt as to safe use of this tool, do not use it*

## Product Familiarisation

- Speed Adjustment Dial
- ON/OFF Switch
- Bench Mounting Fixing Holes
- Motor Vents
- Edge Guide Holes
- Power Cord
- Dust Extraction Port Adaptor (removable)
- Sanding Base
- Sanding Sleeve
- Locking Bolt
- Drum Washer
- Rubber Grips
- Bench Mounting Clamps
- Bench Mounting Mat
- Sanding Sleeve Drum
- Edge Guide
- Edge Guide Locking Screw (2)
- Additional Sanding Sleeves/Drums

## Intended Use

Compact, portable oscillating spindle sander for light-duty edge sanding, curved internal sanding, or template sanding tasks, either hand-held or bench mounted.

The tool must ONLY be used for its intended purpose. Any use other than those mentioned in this manual will be considered a case of misuse. The operator, and not the manufacturer, shall be liable for any damage or injury resulting from such cases of misuse. The manufacturer shall not be liable for any modifications made to the tool, nor for any damage resulting from such modifications.

**Note:** Not intended for commercial use.

## Unpacking Your Tool

- Carefully unpack and inspect your product. Fully familiarise yourself with all its features and functions
- Ensure all parts of the product are present and in good condition. If any parts are missing or damaged, have such parts replaced before attempting to use this product

## Before Use

**⚠ WARNING:** Ensure the tool is disconnected from the power supply before attaching or changing any accessories, or making any adjustments.

### Secting the right grade of sanding sleeve

- Sanding sleeves are available in a variety of different grades: coarse (60 grit), medium (120 grit) and fine (240 grit)
- Use a coarse grit to sand down rough finishes, medium grit to smooth the work, and fine grit to finish off
- Always use good quality sanding sleeves to maximise the quality of the finished task
- It is advisable to do a trial run on a scrap piece of material to determine the optimum grades of sandpaper for a particular job. If there are still marks on your work after sanding, try either going back to a coarser grade and sanding the marks out before recommencing with the original choice of grit, or try using a new piece of sandpaper to eliminate the unwanted marks before going on to a finer grit and finishing the job

## Fitting a sanding sleeve

**⚠ WARNING:** Always ensure the tool is switched OFF and the plug is removed from the mains power supply before fitting or removing sanding sleeves.

**Note:** Do not continue to use worn, torn or heavily clogged sanding sleeves. Ensure foreign objects, such as nails and screws, are removed from the workpiece before starting to sand.

**⚠ WARNING:** Do not use a sanding sleeve on wood that has previously been used on metal. This may cause scouring on the wooden surface.

- Remove the Locking Bolt (10) and Drum Washer (11) (D)
- Remove the Sanding Sleeve Drum (15)
- Slide a Sanding Sleeve (9) onto the Sanding Sleeve Drum (A)
- Replace the Sanding Sleeve Drum back onto the spindle (B)
- Replace the Drum Washer (C) and retighten the Locking Bolt (D)

**Note:** See Fig I for assembly diagram.

## Dust extraction

**⚠ WARNING:** Always connect the sander to a suitable vacuum cleaner or workshop dust extraction system if the sanding dust contains harmful substances, such as particles from old paint, varnish, surface coatings, etc. Always dispose of harmful dust according to laws and regulations.

**⚠ WARNING:** Take special care to guard against harmful and toxic dusts when sanding lead-based painted surfaces, woods and metals, particularly if you are unsure about the exact substance involved. All persons entering the work area must wear a mask specially designed for protection against the toxic dust and fumes involved. Children and pregnant women MUST NOT enter the work area. DO NOT eat, drink or smoke in the work area.

- This sander is designed to be connected to a household vacuum cleaner hose or workshop dust extraction system. This is the preferred and most effective method of dust extraction
- Connect a suitable vacuum hose to the supplied Dust Extraction Port Adaptor (7)
- To remove the Dust Extraction Port Adaptor: turn anti-clockwise so the pins align with the notches of the dust extraction port then remove
- To replace the Dust Extraction Port Adaptor: insert it with the pins aligned with the dust extraction port then turn the adaptor clockwise to lock it into place (E)
- The portable spindle sander can be used without the Dust Extraction Port Adaptor and a compatible dust extraction system; however, it is always recommended to use a compatible dust extraction system

**⚠ WARNING:** When sanding metal, always connect the sander to a suitable workshop dust extraction system. Always clean the tool THOROUGHLY when switching from sanding wood to sanding metal, and vice versa.

**Note:** A dust bag is not supplied with this tool because the tool requires a dust extraction system for effective dust extraction. Inserting a third-party dust bag into the Dust Extraction Port Adaptor is not an effective method of extracting dust during use and is not recommended.

## Operation

**⚠ WARNING:** ALWAYS wear eye protection, adequate respiratory and hearing protection, and suitable gloves when working with this tool.

**⚠ WARNING:** Do not touch the moving Sanding Sleeve (9).

**Note:** Always use clamps to secure your workpiece to a workbench wherever possible.

**⚠ WARNING:** NEVER allow the sandpaper to completely wear down before replacing it. Failure to observe these precautionary measures can lead to damage to the Sanding Sleeve Drum (15), resulting in Sanding Sleeves failing to attach properly.

## Switching ON & OFF

**⚠ WARNING:** Never switch the sander ON when the Sanding Sleeve (9) is in contact with the workpiece or any other surface. This might cause the operator to lose control over the machine and lead to serious injury.

- Connect the power cord to the mains power supply
- To switch the sander ON, push the ON/OFF Switch (2) to the 'I' position
- To switch the sander OFF, push the ON/OFF Switch (2) to the 'O' position

**⚠ WARNING:** Always wait until the machine has stopped vibrating completely before setting down. Always disconnect from the power supply after use

## Adjusting the speed

**⚠ WARNING:** Never fit any accessories to the Sanding Sleeve Drum (15) that are not rated to the maximum no load speed of this device (see 'Specification').

- This sander features variable speed control that enables it to be used with a variety of accessories, and to work on a range of different materials, workpieces and objects

**Note:** The Speed Adjustment Dial (1) can be adjusted when the sander is ON or OFF. When the Speed Adjustment Dial is set to '1' the no load speed of the sander will be 1800min<sup>-1</sup>; when the Speed Adjustment Dial is set to '6', the maximum no load speed of 3200min<sup>-1</sup> will be achieved.

- To adjust the speed, rotate the Speed Adjustment Dial to the desired setting
- The speed settings range from 1–6, with '1' being the lowest speed setting and '6' being the highest speed setting
- If in doubt about choosing the correct speed setting suitable for the task, begin with a low speed, examine the results, then adjust to a higher setting if necessary



## Edge sanding

- The portable spindle sander is effective at sanding the edges of a variety of flat workpieces (F)
  - Always ensure the workpiece is secure and use clamps where necessary
  - The Edge Guide (16) can be attached to the sander, if required (J). Apply the Edge Guide to the sander and fix in the desired position with the Edge Guide Locking Screws (17) (Fig II)
1. Place the sander with the Sanding Base (8) flat on the workpiece and the Sanding Sleeve (9) facing down, ensuring that there is more than enough room for the stroke length of the oscillating spindle movement up and down
  2. Switch ON the dust extraction system first (if connected) then switch the spindle sander ON
  3. Make more shorter passes across the edge of the workpiece rather than longer, slower passes
  4. Allow the sander to do the work and do not force the sander against the workpiece by applying excessive pressure. Doing so could damage the workpiece and the tool or cause an injury to the user

**Note:** When using the Edge Guide, always start sanding from the corner or edge of a workpiece. Start with the front feed guide against the workpiece and gradually feed the tool onto the surface.

## Inverted bench-mounted sanding

**⚠ WARNING:** Always ensure the tool is switched OFF and the power plug is removed from the mains power before bench mounting the spindle sander to a workbench.

- The portable spindle sander is effective at sanding the edges of a variety of workpieces when the sander is securely inverted in the bench-mounted position (G)
1. Place the Bench Mounting Mat (14) near the edge of a stable workbench
  2. Place the portable spindle sander in the inverted position on the mat and fix to the workbench using the Bench Mounting Clamps (13), ensuring the spindle sander is secure on the workbench by tightening the wingnuts on the Bench Mounting Clamps
  3. Connect the dust extraction system hose to the Dust Extraction Port Adaptor (if dust extraction is required)

**Note:** It is recommended that a compatible dust extraction system always be used when the portable spindle sander is in the inverted, bench-mounted position.

4. Select the desired speed on the Speed Adjustment Dial (1)
5. Switch ON the dust extraction system (if connected) then switch the sander ON
6. Use the Sanding Base (8) as a table top for stabilising the workpiece
7. Allow the sander to do the work and do not excessively force the workpiece against the Sanding Sleeve (9). Doing so could damage the workpiece and the tool or cause an injury to the user

## Sanding tips

- If the tool is connected to a vacuum dust extraction system, switch the extraction device 'ON' before switching on the sander
- Clamp the workpieces to a workbench wherever possible. Ensure that workpieces cannot move during work

**⚠ WARNING:** Excessive pressure does not lead to a faster removal of material; however, it will lead to premature wear of the Sanding Sleeve (9), and may cause damage to the tool. Sanding performance and quality of finish are affected primarily by the choice of Sanding Sleeve (see 'Selecting the right grade of sanding sleeve').

## Sanding metal

**⚠ WARNING:** Some additional precautions have to be taken when sanding metal

- ALWAYS connect the sander via a suitable residual current device (RCD)
- ALWAYS connect the sander to a suitable workshop dust extraction system
- Clean the tool thoroughly before using it to sand metal

**WARNING:** Hot metal particles and sparks could ignite residual wood dust. ALWAYS clean the tool thoroughly when switching from sanding wood to sanding metal, and vice versa.

- A sanding sleeve that was previously used for sanding metal should not be used on wood again. Residual metal particles may lead to scratches, and damage the workpiece

## Accessories

- A range of accessories, including sanding sleeves of various grit, is available from your Triton stockist. For your own safety, use only genuine Triton accessories.
- Spare parts can be purchased from your Triton dealer or online at [toolsparsonline.com](http://toolsparsonline.com)

## Maintenance

**⚠ WARNING:** Always disconnect the tool from the power supply before carrying out any maintenance/cleaning.

## General inspection

- Regularly check that all the fixing screws are tight. They may vibrate loose over time
- Inspect the supply cord of the tool, prior to each use, for damage or wear. Repairs should be carried out by an authorised Triton service centre or technician. This advice also applies to any extension cords used with this tool

## Lubrication

- Lubricate all moving parts with a suitable lubricant spray at regular intervals

## Cleaning

- Keep your tool clean at all times. Dirt and dust will cause internal parts to wear quickly and shorten the device's service life
- Clean the body of your machine with a soft brush or dry cloth
- Never use caustic agents to clean plastic parts. If dry cleaning is not sufficient, a mild detergent on a damp cloth is recommended
- Water must never come into contact with the tool
- Ensure the tool is thoroughly dry before using it
- If available, use clean, dry, compressed air to blow through the ventilation holes (where applicable)

## Sanding sleeve drum surfaces

- The surface of the Sanding Sleeve Drum (15) needs to be clean, free of dirt and foreign matter, such as hair, fibres, sand, etc.
- In order to provide adequate adhesion for securing accessories, the surface of the Sanding Sleeve Drum must be in good condition
- When used extensively, sanding sleeve drums will become worn, and the drum may not provide the required diameter for adhesion anymore

**Note:** This sander's Sanding Sleeve Drums are NOT a warranty items. Replacement sanding sleeve drums can be obtained as spare parts through an authorised Triton service centre.

## Cleaning the dust extraction port

- Occasionally it may be necessary to unclog or clean the dust extraction port and the channel

1. To clean the port and channel, first remove the Sanding Sleeve Drum (15) (see 'Fitting a sanding sleeve')
2. Using a screwdriver (not supplied), remove the screws in the Sanding Base (8) and remove the Sanding Base. Be careful not to lose the washers beneath the Sanding Base on each screw hole (H)
3. On the Sanding Base, remove the metal plate to reveal the dust channel (I)
4. Clean the internal channel, dust port, and the belt cavity with a brush then compressed air
5. After thoroughly cleaning, replace the Sanding Base and tighten the screws
6. Replace the Sanding Sleeve Drum

**⚠ WARNING:** After cleaning, ensure all washers, screws and bolts are in place and tightened before reusing the sander. If the tool excessively vibrates or makes any strange noises different to normal operation STOP using the tool and remove the plug from the power supply. Follow the cleaning procedure again to ensure all parts are replaced correctly. If the sound and vibration still occur, consult a qualified Triton service technician.

## Storage

- Store this tool and its accessories after use in its case, in a dry, secure place out of the reach of children

## Contact

For technical or repair service advice, please contact the helpline on (+44) 1935 382 222

Web: [tritontools.com/en-GB/Support](http://tritontools.com/en-GB/Support)

**UK Address:**  
Toolstream Ltd.  
Boundary Way  
Lufton Trading Estate  
Yeovil, Somerset  
BA22 8HZ, United Kingdom

**EU Address:**  
Toolstream B.V.  
De Ketten  
00004  
5651 GJ  
Eindhoven, Netherlands

## Disposal

Always adhere to national regulations when disposing of power tools that are no longer functional and are not viable for repair.

- Do not dispose of power tools or other waste electrical and electronic equipment (WEEE) with household waste
- Contact your local waste disposal authority for information on the correct way to dispose of power tools

# Troubleshooting

Problem	Possible cause	Solution
No function when ON/OFF Switch (2) is operated	No power	Check power supply
	Defective ON/OFF Switch	Have the ON/OFF Switch replaced by an authorised Triton service centre
Motor suffers from cut-outs, loss of performance and produces sparks and/or burning smells	Carbon brushes worn	Have the brushes replaced by an authorised Triton service centre
No sanding action when ON/OFF Switch (2) is operated, despite the motor running	Gears not engaged	Consult a Triton service centre
Slow material removal	Sanding Sleeve (9) too fine or worn	Fit new Sanding Sleeve with coarser grit
	Tool speed set too low	Increase tool speed
Scratches on workpiece after sanding	Sanding Sleeve too coarse	Fit new Sanding Sleeve with finer grit
	Not enough material removed	Continue sanding
Burn marks on workpiece	Sanding Sleeve incompatible with material	Fit correct Sanding Sleeve
	Tool speed set too high	Decrease tool speed
	Too much pressure exerted on to the sander	Use less pressure whilst moving the machine
Excessive dust emission	Vacuum dust extraction system not connected, or extraction system not switched on	Check connection of the vacuum hose, the Dust Extraction Port Adaptor (7) (if used) and ensure dust extraction system is switched on
	Dust extraction not working; dust extraction blocked	Check dust extraction system; unblock dust extraction (see 'Cleaning the dust extraction port'.) Consult a Triton service centre if problems persist

## Guarantee

To register your guarantee visit our web site at [tritontools.com](http://tritontools.com)\* and enter your details.

## Purchase Record

Date of Purchase: \_\_\_/\_\_\_/\_\_\_

Model: TSPSP650

Retain your receipt as proof of purchase

Triton Precision Power Tools guarantees to the purchaser of this product that if any part proves to be defective due to faulty materials or workmanship within 3 YEARS from the date of original purchase, Triton will repair, or at its discretion replace, the faulty part free of charge.

This guarantee does not apply to commercial use nor does it extend to normal wear and tear or damage as a result of accident, abuse or misuse.

\* Register online within 30 days.

Terms & conditions apply.

This does not affect your statutory rights

## Australian Warranty Information

You may wish to register your product at [www.tritontools.com](http://www.tritontools.com) but you are not under any obligation to do so.

Our goods come with guarantees that cannot be excluded under the Australian Consumer Law.

You are entitled to a replacement or refund for a major failure and for compensation for any other reasonably foreseeable loss or damage. You are also entitled to have the goods repaired or replaced if the goods fail to be of acceptable quality and the failure does not amount to a major failure.

This product is guaranteed against faulty materials and workmanship for 3 YEARS from the date of purchase. Please retain your receipt as proof of purchase.

This warranty does not cover defects caused by or resulting from:

- (a) misuse, abuse or neglect;
- (b) trade, professional or hire use;
- (c) repairs attempted by anyone other than our authorised repair centres; or
- (d) damage caused by foreign objects, substances or accident.

## Warranty Exclusions

Wearing parts, consumable items or service-related parts required when performing normal and regular maintenance of this product are not covered by the warranty unless it is found to be defective by an Authorised Service Centre.

Distributed in Australia by Carbatec:

Carbatec Pty Ltd, 128 Ingleston Road, Wakerley, QLD 4161

### Enquiries

Email: [callcentre@carbatec.com.au](mailto:callcentre@carbatec.com.au)

Freecall number: 1800 658 111

The Carbatec policy is one of continuous improvement and the company reserves the right to alter designs, colours and specifications without notice.

# Vertaling van de originele instructies

## Inleiding

Hartelijk dank voor de aanschaf van dit Triton- gereedschap. Deze instructies bevatten informatie die u nodig hebt voor een veilige en doeltreffende bediening van dit product. Dit product heeft unieke kenmerken. Zelfs als u bekend bent met gelijksoortige producten dient u deze handleiding zorgvuldig door te lezen, zodat u in staat bent alle voordelen te benutten. Houd deze handleiding bij de hand en zorg ervoor dat alle gebruikers van dit gereedschap de handleiding hebben gelezen en volledig hebben begrepen.

## Symbolen

Op het typeplaatje van uw gereedschap kunnen symbolen voorkomen. Deze vertegenwoordigen belangrijke informatie met betrekking tot het product of instructies met betrekking tot het gebruik ervan.



Draag oorbescherming  
Draag oogbescherming  
Draag ademhalingsbescherming  
Draag hoofdbescherming



Draag handschoenen



**WAARSCHUWING** - Om het risico op letsel te reduceren, dient de gebruiker de instructiehandleiding te lezen.



Stofafvoer vereist of aanbevolen



Enkel voor binnen gebruik!



Koppel steeds los van de voeding wanneer u accessoires aanpast of vervangt, wanneer u schoonmaakwerkzaamheden of onderhoudswerkzaamheden uitvoert, en wanneer het gereedschap niet gebruikt wordt!



Klasse II constructie (dubbel geïsoleerd voor bijkomende bescherming)



### Milieubescherming

Elektrische producten mogen niet met het normale huisvuil worden weggegooid. Indien de mogelijkheid bestaat, dient u het product te recyclen. Vraag de plaatselijke autoriteiten of winkelier om advies betreffende recyclen.



Wolddoet aan de van kracht zijnde wetgeving en veiligheidsnormen



Opgepast!



Toxische dampen of gassen!

## Technische afkortingen & symbolen

V	Volts
~	Wisselstroom
A, mA	Ampere, milli-Amp
n <sub>0</sub>	Onbelaste snelheid
opm	Omwentelingen of oscillaties per minuut
Ø	Diameter
Hz	Hertz
W, kW	Watt, kilowatt
min <sup>-1</sup>	Revoluties of toeren per minuut (rpm)
dB(A)	Geluidsniveau decibel (A-gewogen)
m/s <sup>2</sup>	Meter per seconde <sup>2</sup> (trillingsmagnitude)

## Specificaties

Modelnummer	TSPSP650
Spanning	230 – 240 V – 50/60 Hz
Vermogen	650W
Onbelaste snelheid	1800-3200min <sup>-1</sup>
Naafoscillaties	50–90 opm
Slaglengte	6,5 mm
Hulslengte	76mm
Hulsdiameters	Ø13 mm, Ø19 mm, Ø26 mm, Ø38 mm
Beschermingsklasse	
Binnendringingsbescherming	IP20
Lengte stroomsnoer	2 m
Afmetingen (L x B x H)	262 x 84 x 261 mm
Gewicht	2,2 kg
In het kader van onze voortgaande productontwikkeling kunnen de specificaties van Triton-producten zonder voorafgaande kennisgeving worden gewijzigd.	
<b>Geluids- en trillingsgegevens</b>	
Geluidsdruk L <sub>wa</sub> :	86,4 dB(A)
Geluidsvermogen L <sub>wa</sub> :	97,4 dB(A)
Onzekeerheid K:	3 dB
Gewogen trilling a <sub>w</sub>	4,874 m/s <sup>2</sup>
Onzekeerheid K	1,5 m/s <sup>2</sup>
De geluidsintensiteit voor de bediener kan 85 dB(A) overschrijden en gehoorbescherming is dan ook noodzakelijk.	

**⚠ WAARSCHUWING:** Bij een geluidsintensiteit van 85 dB(A) of hoger is het dragen van gehoorbescherming en het limiteren van de blootstellingstijd vereist. Bij oncomfortabele hoge geluidsniveaus, zelfs met het dragen van gehoorbescherming, stopt u het gebruik van de machine onmiddellijk. Controleer de pasvorm en het geluidsdempingsniveau van de bescherming.

**⚠ WAARSCHUWING:** Blootstelling aan trilling resulteert mogelijk in gevoelloosheid, tinteling en een verminderd grijpvermogen. Langdurige blootstelling kan aanleiding geven tot een chronische aandoening. Limiteer de blootstellingsduur en draag anti-vibratie handschoenen. Vibratie heeft een grotere invloed op handen met een temperatuur lager dan een normale, comfortabele temperatuur. Maak gebruik van de informatie in de specificaties voor het bereken van de gebruiksduur en frequentie van de machine.

**⚠ WAARSCHUWING!** De trillingsbelasting tijdens het werken met het elektrisch gereedschap kan variëren afhankelijk van de toepassing en van de opgegeven totale vibratiewaarde. Om adequate veiligheidsmaatregelen te kunnen nemen om de gebruiker te beschermen, moet bij een nauwkeurige schatting van de trillingsbelasting ook rekening worden gehouden met de tijden waarop de machine wordt uitgeschakeld of de machine ingeschakeld is, maar niet daadwerkelijk wordt gebruikt.

Het in deze handleiding vermelde trillingsniveau is gemeten volgens een standaard genormeerde meetmethode en kan worden gebruikt om het ene gereedschap met het andere te vergelijken. Het is ook geschikt voor een voorlopige inschatting van de trillingsbelasting. Geluidniveau in de specificatie zijn vastgesteld volgens internationale norm. De waarden gelden voor een normaal gebruik in normale werkomstandigheden. Een slecht onderhouden, onjuist samengestelde of onjuist gebruikte machine produceert mogelijk hogere geluids- en trillingsniveaus. [www.osha.europa.eu](http://www.osha.europa.eu) biedt informatie met betrekking tot geluids- en trillingsniveaus op de werkplek wat mogelijk nuttig is voor regelmatige gebruikers van machines.

## Algemene veiligheid voor elektrisch gereedschap

**⚠ WAARSCHUWING** Lees alle bediening- en veiligheidsvoorschriften. *Het niet opvolgen van alle voorschriften die hieronder vermeld staan, kan resulteren in een elektrische schok, brand en/of ernstig letsel.*

**Bewaar deze voorschriften voor toekomstig gebruik.**

De term "elektrisch gereedschap" in alle hieronder vermelde waarschuwingen heeft betrekking op uw elektrische gereedschap dat op de stroom is aangesloten (met een snoer) of met een accu wordt gevoed (snoerloos).

### 1) Veiligheid in de werkruimte

- Houd de werkruimte schoon en zorg voor een goede verlichting.** Rommelige en donkere ruimtes leiden vaak tot ongelukken.
- Werk niet met elektrisch gereedschap in explosieve omgevingen, bijvoorbeeld in de aanwezigheid van ontvlambare vloeistoffen, gassen of stof.** Elektrisch gereedschap brengt vonken tewege die stof of dampen kunnen doen ontbranden.
- Houd kinderen en omstanders uit de buurt wanneer u elektrisch gereedschap bedient.** Door afleiding kunt u de controle over het gereedschap verliezen.

### 2) Elektrische veiligheid

- De stekkers van het elektrische gereedschap moeten passen bij het stopcontact. Pas de stekker niet aan. Gebruik geen adapterstekkers bij geaard elektrisch gereedschap.** Het gebruik van ongewijzigde stekkers en passende stopcontacten vermindert het risico op een elektrische schok.
- Vermijd lichamelijk contact met geaarde oppervlakken zoals pinnen, radiatoren, fornuizen en koelkasten.** Het risico op een elektrische schok neemt toe als uw lichaam geaard wordt.
- Laat elektrisch gereedschap niet aan worden.** Wanneer elektrisch gereedschap niet wordt gebruikt, neemt het risico op een elektrische schok toe.
- Beschadig het snoer niet.** Gebruik het snoer nooit om het elektrisch gereedschap te dragen, te trekken of om de stekker uit het stopcontact te trekken. Houd het snoer uit de buurt van hitte, olie, scherpe randen of bewegende delen. Een beschadigde of in de knoop geraakte snoer verhoogt het risico op een elektrische schok toe.
- Wanneer u elektrisch gereedschap buiten gebruikt, maak dan gebruik van een verlengsnoer dat geschikt is voor gebruik buitenshuis.** Gebruik een verlengsnoer dat geschikt is voor gebruik buitenshuis om het risico op een elektrische schok te verminderen.
- Indien het onvermijdelijk is elektrisch gereedschap te gebruiken in een vochtige omgeving, gebruik dan een energiebron met een aardlekschakelaar (Residual Currenty Device).** Het gebruik van een RCD vermindert het risico op een elektrische schok.

### 3) Persoonlijke veiligheid

- Blijf alert en gebruik uw gezonde verstand wanneer u elektrisch gereedschap bedient.** Gebruik het elektrisch gereedschap niet wanneer u vermoeid bent of onder invloed bent van drugs, alcohol of medicijnen. Onoplettendheid tijdens het bedienen van elektrisch gereedschap kan leiden tot ernstig letsel.

- Maak gebruik van persoonlijke bescherming. Draag altijd een veiligheidsbril.** Passende bescherming voor de omstandigheden, zoals een stofmasker, niet-slipende veiligheidsschoenen en een helm of gehoorbescherming, vermindert het risico op persoonlijk letsel.
- Zorg ervoor dat het apparaat niet per ongeluk wordt gestart. Controleer of de schakelaar in de 'uit' stand staat voordat u de stekker in het stopcontact steekt.** Het dragen van elektrisch gereedschap met uw vinger op de schakelaar of het aansluiten op de stroom van elektrisch gereedschap met de schakelaar ingeschakeld kan tot ongelukken leiden.
- Verwijder alle stel- of moersteutels voordat u het elektrische gereedschap inschakelt.** Een moer- of stelsteutel die zich op een draaiend onderdeel van het elektrische gereedschap bevindt, kan leiden tot letsel.
- Reik niet te ver. Blijf altijd stevig en in balans staan.** Zo houdt u meer controle over het elektrische gereedschap in onverwachte situaties.
- Draag geschikte kleding. Draag geen loshangende kleding of sieraden. Houd haren, kleding en handschoenen uit de buurt van bewegende delen.** Loshangende kleding, sieraden en los hangende haren kunnen vast komen te zitten in bewegende delen.
- Als er onderdelen voor stofafvoer- en stofverzamelend worden meegeleverd, sluit deze dan aan en gebruik deze op de juiste wijze.** Het gebruik van deze onderdelen kan het risico op stof gerelateerde ongelukken verminderen.
- Laat vertrouwdheid door het veelvuldig gebruik van gereedschap u niet zelfgenoegzaam maken en neger nooit de veiligheidsprincipes.** Een roeioleze handeling kan in een fractie van een seconde een ernstige verwonding veroorzaken.
- Gebruik en verzorging van elektrisch gereedschap**
  - Forceer elektrisch gereedschap niet. Gebruik elektrisch gereedschap dat geschikt is voor het werk dat u wilt uitvoeren.** Geschikt elektrisch gereedschap werkt beter en veiliger op een passende snelheid.
  - Gebruik het elektrische gereedschap niet als de schakelaar van het apparaat niet in- en uitschakelt.** Elektrisch gereedschap dat niet bedient kan worden met de schakelaar is gevaarlijk en moet gerepareerd worden.
  - Haal de stekker uit het stopcontact voordat u instellingen aanpast, toebehoren verwisselt of het elektrische gereedschap opbergt.** Dergelijke voorzorgsmaatregelen verminderen het risico op het per ongeluk starten van het elektrische gereedschap.
  - Berg elektrisch gereedschap dat niet in gebruik is op buiten bereik van kinderen en laat mensen die niet bekend zijn met het elektrische gereedschap of met deze instructies het elektrische gereedschap niet bedienen.** Elektrisch gereedschap is gevaarlijk in de handen van onervaren gebruikers.
  - Onderhoud uw elektrisch gereedschap. Controleer op foutieve uittijding of het vastslaan van bewegende delen, gebroken onderdelen en elke andere afwijking die de werking van het elektrische gereedschap zou kunnen beïnvloeden.** Indien het elektrische gereedschap beschadigd is, moet u het laten repareren voordat u het weer gebruikt. Veel ongelukken worden veroorzaakt door slecht onderhouden elektrisch gereedschap.
  - Houd snijwerktuigen scherp en schoon.** Goed onderhouden snijwerktuigen met scherpe messen slaan minder snel vast en zijn gemakkelijker te bedienen.
  - Gebruik het elektrische gereedschap, de accessoires en onderdelen, etc. volgens deze instructies en volgens bestemming voor het specifieke type elektrisch gereedschap, en houd daarbij rekening met de werkomstandigheden en het uit te voeren werk.** Gebruik van elektrisch gereedschap voor werkzaamheden die verschillen van die waarvoor het apparaat bestemd is, kan leiden tot gevaarlijke situaties.
  - Zorg dat de handen en grepen droog, schoon en vrij van olie en vet zijn.** Glibberige handen en grepen zijn niet veilig te gebruiken en zorgen voor minder controle in onverwachte situaties.
- Onderhoud**
  - Laat uw elektrische gereedschap onderhouden door een gekwalificeerde vakman en gebruik alleen identieke vervangstukken.** Zo bent u er zeker van dat de veiligheid van het elektrische gereedschap gewaarborgd blijft.

## Specifieke veiligheid Veiligheid schuurgereedschap

### ⚠ WAARSCHUWING:

- Houd het elektrische gereedschap enkel vast bij de geïsoleerde handgrepen of greep oppervlakken, omdat de schurschijf in contact kan komen met het voedingsnoer.** Indien een snijgereedschap contact maakt met een onder spanning staande draad kunnen de metalen onderdelen van de machine eventueel onder spanning komen te staan, wat de gebruiker van het gereedschap een elektrische schok kan geven.
- Gebruik klemmen of een andere praktische wijze om het werkstuk op een stabiel platform te bevestigen.** Het met de hand of het tegen het lichaam vasthouden van het werkstuk maakt dit laatste instabiel en kan aanleiding geven tot controleverlies.
- Draag STEEDS gepaste beschermende uitrusting, met inbegrip van een stofmasker met een minimale klasse van FFP2, oogbescherming, en gehoorbescherming**
- Zorg ervoor dat alle mensen in de buurt van de werkzone eveneens voorzien zijn van geschikte persoonlijke beschermingsuitrusting.**
- Wees extra voorzichtig wanneer u bepaalde houtsoorten schuurt (zoals beuk, eik, mahonie, en teak).** Het geproduceerde stof is toxisch en kan uitzonderlijke reacties veroorzaken.

- d) Gebruik het gereedschap **NOOIT** om materialen te bewerken die asbest omvatten. Raadpleeg een expert indien u niet zeker bent of een voorwerp al of niet asbest omvat.
- e) Schuur **GEEN** magnesium of legeringen die een hoog gehalte aan magnesium omvatten.
- f) Wees attent op verf of behandelingen die zijn aangebracht of uitgevoerd op het materiaal dat wordt geschuurd. Vele behandelingen kunnen aanleiding geven tot toxisch of op een andere wijze schadelijk stof. Indien u werkzaamheden uitvoert in of op een gebouw dat dateert van voor 1960 bestaat er een groter risico dat u daar verf op loodbasis aantreft.
- g) Het tijdens het schuren van verf op loodbasis geproduceerde stof is bijzonder gevaarlijk voor kinderen, voor zwangere vrouwen, en voor mensen met hoge bloeddruk. Laat deze mensen **NIET** in de buurt van de werkzone komen, zelfs indien ze geschikte persoonlijke beschermende uitrusting dragen.
- h) Maak, indien mogelijk, gebruik van een vacuümstofafvoersysteem om het stof en afval onder controle te houden.
- i) Wees bijzonder voorzichtig wanneer u gebruik maakt van een machine die zowel voor het schuren van hout en van metaal bedoeld is. **Vonken van metaal kunnen gemakkelijk houtstof in brand doen vliegen.** Maak **STEEDS** uw machine grondig schoon om het risico op brand te beperken.
- j) Maak de stofzak of -container (indien van toepassing) regelmatig leeg tijdens het gebruik, alvorens pauzes te nemen, en na het beëindigen van de schuurwerkzaamheden. Stof houdt een explosiegevaar in. **Gooi GEEN schuurstof in open vuur.** Er kan zich een spontane ontbranding voordoen wanneer olie- of waterdeeltjes in contact komen met stofdeeltjes. Voer afvalmaterialen voorzichtig af en in overeenstemming met de plaatselijk van kracht zijnde wetgeving en regelgeving.
- k) **Werkoppervlakken en schuurpapier kunnen tijdens het gebruik zeer warm worden.** Indien er aanwijzingen zijn van een verbranding (rook of as) van het werkoppervlak, stop dan onmiddellijk en laat het materiaal afkoelen. Raak het werkoppervlak of het schuurpapier **NIET AAN** tot ze de kans hebben gekregen om af te koelen.
- l) Raak het bewegende schuurpapier **NIET** aan.
- m) **Schakel de machine STEEDS uit alvorens ze neer te leggen.**
- n) **NIET GEBRUIKEN** om nat te slijpen. *Vloeistoffen die de behuizing van de motor binnen dringen, kunnen ernstige elektrische schokken veroorzaken.*
- o) **Koppel de schuurmachine STEEDS los van de voeding alvorens het schuurpapier te vervangen.**
- p) **Zelfs indien men dit gereedschap gebruikt zoals voorgeschreven, is het onmogelijk om alle residuele risicofactoren te elimineren.** Indien u twijfels hebt met betrekking tot het veilige gebruik van dit gereedschap, gebruik het dan niet.

## Productonderdelen

1. Instelling snelheid
2. Aan/uit-schakelaar
3. Tafelbevestigingspaten
4. Motorventilatiegaten
5. Gaten randgeleiding
6. Voedings snoer
7. Adapter stofafvoer opening (afneembaar)
8. Schuurbus
9. Schuurhuls
10. Borgbout
11. Trommelring
12. Rubberen grepen
13. Tafelbevestigingsklemmen
14. Tafelbevestigingsmat
15. Trommel schuurhuls
16. Randgeleiding
17. Borgschroef (2) randgeleiding
18. Extra schuurhulzen/-trommels

## Gebruiksdoel

Compacte, draagbare oscillerende spindelschuurmachine voor licht randschuurwerk, gekromd intern schuurwerk, of sjaalbonschuurwerkzaamheden, in de hand vastgehouden of op een werktafel bevestigd.

Elk ander gebruik dan vermeld in deze handleiding wordt beschouwd als een geval van misbruik. De gebruiker, niet de fabrikant, is aansprakelijk voor schade en/of letsel resulterend uit misbruik. De fabrikant is niet aansprakelijk voor eventuele wijzigingen aan het gereedschap, noch voor enige schade als gevolg van dergelijke wijzigingen.

**Opmerking:** Niet voor commercieel gebruik.

## Het uitpakken van uw gereedschap

- Haal uw nieuwe gereedschap voorzichtig uit de verpakking en inspecteer het. Zorg dat u op de hoogte bent van alle kenmerken en functies ervan.
- Zorg ervoor dat alle onderdelen van het gereedschap aanwezig zijn en in goede staat verkeren. Indien er onderdelen ontbreken of beschadigd zijn, dienen deze vervangen te worden alvorens het gereedschap te gebruiken

## Voorafgaand aan het gebruik

**⚠ WAARSCHUWING:** Zorg ervoor dat het gereedschap is losgekoppeld van de voeding alvorens accessoire aan te brengen of te vervangen, of alvorens aanpassingen door te voeren.

## Selecteren van de juiste kwaliteit schuurhuls

- Schuurhulzen zijn verkrijgbaar in een aantal ruwheden: ruw (korrelmaat 60), gemiddeld (korrelmaat 120), en fijn (korrelmaat 240)
- Maak gebruik van de ruwe versie om een ruwe afwerking uit te voeren, van de gemiddelde kwaliteit om het werk verder af te vlakken, en van de fijne korrelmaat om de uiteindelijke afwerking door te voeren
- Maak steeds gebruik van schuurhulzen van goede kwaliteit om de kwaliteit van de uit te voeren taak te garanderen
- Het is aan te bevelen om het schuren te testen op een stuk afvalmateriaal om de optimale ruwheid van het schuurpapier te bepalen voor de welbepaalde toepassing. Indien er nog steeds markeringen zichtbaar zijn op uw werkstuk na het schuren, probeer dan opnieuw te schuren met een grof schuurvel en probeert de markeringen te verwijderen alvorens opnieuw te starten met de oorspronkelijke selectie van de ruwheid, of probeer nieuw schuurpapier te gebruiken om de ongewenste markeringen te verwijderen alvorens over te gaan naar een fijnere ruwheid om het werk af te ronden

## Aanbrengen van een schuurhuls

**⚠ WAARSCHUWING:** Zorg er steeds voor dat het gereedschap is uitgeschakeld en dat de stekker is verwijderd uit het stopcontact alvorens schuurhulzen aan te brengen of te verwijderen.

**Opmerking:** Versleten, gescheurde, of sterk vervuilde schuurhulzen mogen **NIET** VERDER gebruikt worden. Zorg ervoor dat vreemde voorwerpen, zoals spijkers en schroeven, uit het werkstuk verwijderd zijn alvorens de schuurwerkzaamheden aan te vatten.

**⚠ Waarschuwing:** Een schuurhuls die voordien op metaal werd gebruikt, mag vervolgens **NIET** op hout gebruikt worden. Dit kan krassen veroorzaken in het houten oppervlak.

1. Verwijder de borgbout (1) en de trommelring (1) (D)
2. Verwijder de schuurhulstrommel (15)
3. Schuif een schuurhuls (9) op de schuurhulstrommel (A)
4. Plaats de schuurhulstrommel terug op de as (B)
5. Plaats de trommelring (C) terug en span de borgbout (D) opnieuw aan

**Opmerking:** Zie afb. 1 voor een assemblagediagram

## Stofafvoer

**⚠ WAARSCHUWING:** Verbind het schuurapparaat steeds met een geschikte stofzuiger of met een stofafvoersysteem indien het schuurstof schadelijke substanties omvat, zoals deeltjes van oude verf, vernis, coatings, enzovoort. Voer het schadelijke stof **STEEDS** af in overeenstemming met de van kracht zijnde wetgeving en regelgeving.

**⚠ WAARSCHUWING:** Neem speciale voorzorgsmaatregelen tegen schadelijk en toxisch stof wanneer oppervlakken worden geschuurd die geveerd zijn met verf op loodbasis, houtsoorten en metalen, meer bepaald indien u niet zeker bent van de werkelijk aanwezige substanties. Alle personen die de werkruimte betreden, dienen een masker te dragen dat speciaal ontworpen is als bescherming tegen het toxische stof en tegen de toxische dampen. Kinderen en zwangere vrouwen mogen de werkruimte **NIET** betreden. Eet, drink, of rook **NIET** in de werkruimte.

- Deze schuurmachine is ontworpen om verbonden te worden met de slang van een huishoudelijke stofzuiger of met een stofafvoersysteem dat aanwezig is op de werkplek. Dit is de te verkiezen en meest efficiënte methode om stof af te voeren.
- Sluit een geschikte stofzuigerslang aan op de adapter voor de stofafvoer opening (7)
- Om de adapter van de stofafvoer opening te verwijderen: draai in tegenwijzerzin tot de pennen uitgelijnd zijn met de inkepingen van de stofafvoer opening, en verwijder de adapter vervolgens.
- Om de adapter voor de stofafvoer opening terug aan te brengen: plaats de adapter en lijn de pennen uit in de richting van de stofafvoer opening, en draai vervolgens in wijzerzin om het geheel te vergrendelen (E)
- De draagbare spindelschuurmachine kan gebruikt worden zonder de adapter voor de stofafvoer opening en een compatibel stofafvoersysteem; het is echter steeds aan te bevelen om gebruik te maken van een compatibel stofafvoersysteem

**⚠ Waarschuwing:** Wanneer u metaal schuurt, verbind de schuurmachine dan met een daarvoor geschikt en op de werkplaats aanwezig stofafvoersysteem. Maak het gereedschap **STEEDS GRONDIG** schoon wanneer u overgaat van het schuren van hout naar het schuren van metaal, en vice versa.

**Opmerking:** Een stofzak wordt niet met dit gereedschap meegeleverd omdat een stofafvoersysteem vereist voor een efficiënte stofafvoer. Het aanbrengen van een stofzak van een derde partij in de adapter voor de stofafvoer opening is geen efficiënte manier om stof af te voeren tijdens het gebruik van het apparaat, en dit is dan ook niet aan te bevelen.

# Werking

⚠ **Waarschuwing:** Draag bij het werken met deze machine STEEDS oogbescherming, geschikte ademhalings- en gehoorbescherming, alsook geschikte handschoenen.

⚠ **Waarschuwing:** Gebruik steeds klemmen om uw werkstuk op een werkbank te bevestigen indien dat mogelijk is.

⚠ **Waarschuwing:** Laat het schuurpapier NOOIT volledig afslijten alvorens het te vervangen. Het niet naleven van deze voorzorgsmaatregelen kan aanleiding geven tot beschadigingen van de schuurhulstroommel (15), wat er dan weer voor zorgt dat de schuurhulzen niet op correcte wijze bevestigd kunnen worden.

## In- en uitschakelen

⚠ **Waarschuwing:** Schakel de schuurmachine nooit IN wanneer de schuurhuls (9) in contact staat met het werkstuk of met welk ander oppervlak dan ook. Hierdoor zou de persoon die het apparaat bedient de controle erover kunnen verliezen, wat aanleiding kan geven tot ernstig letsel.

1. Verbind het snoer met de voeding
2. Om de schuurmachine in te schakelen, duwt u de aan/uit-schakelaar (2) naar de "I" stand
3. Om de schuurmachine uit te schakelen, duwt u de aan/uit-schakelaar naar de "O" stand

⚠ **Waarschuwing:** Wacht steeds tot de machine volledig tot stilstand is gekomen alvorens ze neer te zetten. Koppel de machine steeds los van de voeding na het gebruik ervan.

## Aanpassen van de snelheid

⚠ **WAARSCHUWING:** Bevestig nooit accessoire op de schuurhulstroommel (15) die niet voorzien zijn voor de maximum "onbelaste" snelheid van dit apparaat (zie "Specificaties").

- Deze schuurmachine is in het bezit van een variabele snelheidscontrole, een kenmerk dat haar geschikt maakt om met een breed gamma aan accessoires gebruikt te worden, en om diverse materialen, werkstukken en voorwerpen te bewerken.

**Opmerking:** De positie van de snelheid instelknop (1) kan gewijzigd worden wanneer de schuurmachine is in- of uitgeschakeld. Wanneer de snelheid instelknop in de stand "I" wordt geplaatst, is de onbelaste snelheid van de schuurmachine 1800 min-1, terwijl wanneer de knop in de stand "G" wordt gezet de maximum onbelaste snelheid van de machine 3200 min<sup>-1</sup> bedraagt.

- Om de snelheid aan te passen, draait u de snelheid instelknop naar de gewenste positie.
- De snelheidsaanwijzing gaat van 1-6, waarbij "1" de laagste snelheid is en "6" de hoogste.
- Indien u twijfelt bij de keuze van de voor de uit te voeren taak correcte in te snellen snelheid, begin dan met een lagere snelheid, controleer de resultaten, en voer vervolgens de ingestelde snelheid op indien dat nodig zou zijn

## Schuren van randen

- De draagbare spindelschuurmachine is efficiënt voor het schuren van de randen van diverse vlakke werkstukken (F)
- Zorg er steeds voor dat het werkstuk veilig bevestigd is en gebruik daarvoor klemmen indien nodig.
- De randgeleiding (16) kan op de schuurmachine bevestigd worden indien nodig (J). Breng de randgeleiding aan op de schuurmachine en zet ze vast in de gewenste positie met behulp van de borgschroeven van de randgeleiding (17) (afb. II)

1. Plaats de schuurmachine met de schuurbasis (8) vlak op het werkstuk, waarbij de schuurhuls (9) naar onderen gericht is, waarbij men er voor dient te zorgen dat er voldoende ruimte is voor de slaglengte van de oscillerende op-en-neer gaande beweging van de as.
2. Schakel het stofafvoersysteem eerst in (indien verbonden) en schakel vervolgens de spindelschuurmachine in
3. Voer meerdere kortere bewegingen uit over de rand van het werkstuk in plaats van langere en trager bewegingen
4. Laat de schuurmachine het werk doen en forceer ze niet tegen het werkstuk aan door overmatige druk uit te oefenen. Indien u dat wel doet, kan dit het gereedschap beschadigen of aanleiding geven tot persoonlijk letsel

**Opmerking:** Wanneer u gebruik maakt van de randgeleiding, start dan steeds met het schuren vanaf de hoek of de rand van een werkstuk. Begin met de voorste aanvoergeleiding tegen het werkstuk en laat het gereedschap geleidelijk aan over het oppervlak gaan.

## Omgekeerd schuren met werktafelbevestiging

⚠ **WAARSCHUWING:** Zorg er steeds voor dat het gereedschap is uitgeschakeld en dat de stekker is verwijderd uit het stopcontact alvorens de spindelschuurmachine op een werktafel te bevestigen.

- De draagbare spindelschuurmachine is efficiënt voor het schuren van de randen van diverse soorten werkstukken wanneer de schuurmachine omgekeerd bevestigd is in de op een werktafel gemonteerde omgekeerde positie (G)

1. Plaats de tafelbevestigingsmat (14) in de buurt van de rand van een stabiele werktafel
2. Plaats de draagbare spindelschuurmachine in de omgekeerde positie op de mat en bevestig het geheel op de werktafel met behulp van de tafelbevestigingsklemmen (13), waarbij men er dient voor zorg te dragen dat de schuurmachine stevig is bevestigd op de werktafel door de vlindermoeren van de tafelbevestigingsklemmen aan te draaien
3. Sluit de slang van het stofafvoersysteem aan op de adapter van het stofafvoersysteem (indien stofafvoer nodig is)

**Opmerking:** Het is aan te bevelen om gebruik te maken van een compatibel stofafvoersysteem wanneer de draagbare spindelschuurmachine in de omgekeerde en op een werktafel gemonteerde positie gebruikt wordt.

4. Selecteer de gewenste snelheid met behulp van de snelheid instelknop (1)
5. Schakel het stofafvoersysteem in (indien verbonden) en schakel vervolgens de schuurmachine in
6. Gebruik de schuurbasis (8) als basis om het werkstuk te stabiliseren
7. Laat de schuurmachine het werk doen en oefen geen overmatige druk uit op het werkstuk tegen de schuurhuls (9). Indien u dat wel doet, kan dit het gereedschap beschadigen of aanleiding geven tot persoonlijk letsel

## Schuurtips

- Indien het gereedschap is verbonden met een vacuüfstofafvoersysteem, schakel het afvoersysteem dan in alvorens de schuurmachine in te schakelen.
- Klem indien mogelijk werkstukken steeds vast op een werkbank. Zorg ervoor dat werkstukken niet kunnen bewegen tijdens het werk

⚠ **Waarschuwing:** Overmatige druk betekent niet een snellere verwijdering van het materiaal; het zal echter wel aanleiding geven tot een vroegtijdige slijtage van de schuurhuls (9), en eventueel tot schade aan de machine. De efficiëntie van het schuren en de afwerkingskwaliteit worden voornamelijk beïnvloed door de keuze van de schuurhuls (zie "Selectie van de juiste kwaliteit schuurhuls").

## Metaal schuren

⚠ **WAARSCHUWING:** Er moeten nog een paar voorzorgsmaatregelen getroffen worden wanneer er metaal wordt geschuurd.

- Verbind de schuurmachine STEEDS met de voeding via een geschikte aardlekbeveiliging (RCD)
- Verbind de schuurmachine STEEDS met een daarvoor geschikt en op de werkplaats aanwezig stofafvoersysteem
- Maak het gereedschap grondig schoon alvorens het te gebruiken om metaal te schuren
- ⚠ **WAARSCHUWING:** Hete metaaldeeltjes en vonken kunnen eventueel aanwezig houfstof doen ontvlammen.. Maak het gereedschap STEEDS grondig schoon wanneer u overgaat van het schuren van hout naar het schuren van metaal, en vice versa.
- Een schuurhuls die gebruikt werd om metaal te schuren, mag niet opnieuw gebruikt worden om hout te schuren. Achtergebleven metaaldeeltjes kunnen aanleiding geven tot krassen en kunnen het werkstuk beschadigen

## Accessoires

- Een heel gamma aan accessoires, met inbegrip van schuurhulzen met verschillende ruwheden en korrelmaten, is verkrijgbaar bij uw Triton-groothandel. Maak voor uw eigen veiligheid steeds gebruik van oorspronkelijke Triton-accessoires. Reserveonderdelen kunnen verkregen worden bij uw Triton-dealer of online op [www.toosparesonline.com](http://www.toosparesonline.com)

## Onderhoud

⚠ **WAARSCHUWING:** Koppel het gereedschap STEEDS los van de voeding alvorens onderhoud of schoonmaakwerkzaamheden uit te voeren.

## Algemene inspectie

- Controleer regelmatig of alle bevestigingsschroeven aangedraaid zijn. Deze kunnen in de loop van de tijd losrillen.
- Inspecteer het netsnoer van het gereedschap op eventuele schade of slijtage, voorafgaand aan elk gebruik. Reparaties mogen enkel uitgevoerd worden door een geautoriseerd Triton-servicecentrum of -technicus. Dit geldt eveneens voor welke verlengsnoeren dan ook die in combinatie met dit gereedschap gebruikt worden.

## Smering

- Smeer alle bewegende onderdelen met een geschikte spray, en dit op regelmatig tijdstippen

## Schoonmaken

- Houd het gereedschap te allen tijde schoon. Vuil en stof geven aanleiding tot een snelle slijtage van de interne onderdelen, en verkorten de levensduur van het gereedschap
- Maak het lichaam van het gereedschap schoon met een zachte borstel of met een droog doek.
- Gebruik nooit bijtende middelen om plastic onderdelen schoon te maken. Indien een droge schoonmaak niet voldoende is, verdient een zachte detergent op een vochtige doek de voorkeur
- Water mag nooit in contact komen met het gereedschap
- Zorg ervoor dat het gereedschap volkomen droog is alvorens het te gebruiken
- Indien aanwezig, maak dan gebruik van droge perslucht om de ventilatiegaten door te blazen (waar van toepassing)

## Schuurhulstroomeloppervlakken

- Het oppervlak van de schuurhulstroomel (15) moet schoon zijn en vrij zijn van vuil en vreemde stoffen, zoals haar, vezels, zand, enzovoort.
- Om een goede hechting bij het bevestigen van accessoires te verzekeren, moet het oppervlak van de schuurhulstroomel in goede toestand zijn.
- Na langdurig gebruik zullen de schuurhulstroomels verslijten en kan het zijn dat de trommel niet langer de voor de hechting vereiste diameter bezit

**Opmerking:** De schuurhulstroomels van deze schuurmachine maken geen deel uit van de waarborg. Extra exemplaren van de schuurhulstroomels kunnen als reserveonderdeel verkregen worden via een geautoriseerd Triton-servicecentrum.

## Schoonmaken van de stofafvoer opening

- Af en toe kan het nodig zijn om de stofafvoer opening en het kanaal vrij te maken van verstoppingen of schoon te maken
1. Om de opening en het kanaal schoon te maken, verwijdert u eerst de schuurhulstroomel (15) (zie "Aanbrengen van een schuurhuls")
  2. Verwijder met een schroevendraaier (niet meegeleverd) de schroeven in de schuurbasis (8) en verwijder de schuurbasis. Zorg ervoor dat u de ringen in elk schroefgat (H) onder de schuurbasis niet verliest
  3. Verwijder de metalen plaat van de schuurbasis om het stofkanaal bloot te leggen (I)
  4. Maak het interne kanaal, de stofopening, en de riemruimte schoon met een borstel en vervolgens met perslucht.
  5. Na het schoonmaken brengt u de schuurbasis terug aan en spant u de schroeven opnieuw aan.
  6. Vervang de schuurhulstroomel

**⚠ Waarschuwing:** Na het schoonmaken dient u ervoor te zorgen dat alle ringen, schroeven, en bouten terug zijn aangebracht en zijn aangespannen alvorens u de machine terug in gebruik neemt. Indien het gereedschap buitenmatig trilt of vreemde geluiden produceert die verschillen van deze tijdens de normale werking, stop het gereedschap dan en verwijder de stekker uit het stopcontact. Volg opnieuw de schoonmaakprocedure en zorg ervoor dat alle onderdelen correct vervangen zijn. Indien het geluid en de trillingen aanhouden, consulteer dan een gekwalificeerde Triton-servicetechnicus.

## Opberging

- Berg dit gereedschap en de accessoires na het gebruik ervan op in de doos, en dit op een droge en veilige plaats die buiten het bereik van kinderen is gelegen

## Contact

Voor technische ondersteuning of voor reparatieadvies, gelieve contact op te nemen met de hulplijn op (+44) 1935 382 222

**Web:** tritontools.com/nl-NL/Support

### VK-Adres:

Toolstream Ltd.  
Boundary Way  
Lufton Trading Estate  
Yeovil, Somerset  
BA22 8HZ, Verenigd Koninkrijk

### EU-Adres:

Toolstream B.V.  
De Ketten  
00004  
5651 GJ  
Eindhoven, Nederland

## Afvoer en verwerking

Respecteer steeds de nationale regelgeving wanneer u elektrisch gereedschap afhandelt dat niet langer functioneert en niet gerepareerd kan worden.

- Voer geen elektrische en elektronische uitrusting (WEEE) af met het huishoudelijk afval
- Neem contact op met uw plaatselijke reinigingsdienst om informatie in te winnen met betrekking tot de correcte wijze om elektrisch gereedschap af te voeren



# Problemen oplossen

Probleem	Mogelijke oorzaak	Oplossing
Geen effect wanneer de Aan/Uit-schakelaar (2) wordt gebruikt	Geen spanning	Controleer de voeding
	Aan/Uit-schakelaar defect	Laat schakelaar vervangen door een geautoriseerd Triton-servicecentrum
De motor schakelt af en toe uit, er is sprake van een performantieverlies, en er worden vonken geproduceerd en/of er is een brandgeur aanwezig	Versleten koolstofborstels	Laat de borstels vervangen door een geautoriseerd Triton-servicecentrum
Geen schurende werking wanneer de aan/uit-schakelaar (2) wordt gebruikt, ondanks het feit dat de motor draait	overbrenging/tandwielen grijpen niet in elkaar	Raadpleeg een Triton-servicecentrum
Traag verwijderen van materiaal	De schuurhuls (9) is te fijn of te versleten	Plaats een nieuwe schuurhuls met een grovere korrelmaat
	Ingestelde gereedschapssnelheid is te laag	Voer de snelheid van het gereedschap op
Er is na het schuren sprake van krassen op het werkstuk	Schuurhuls te grof	Plaats een nieuwe schuurhuls met een fijnere korrelmaat
	Er wordt niet genoeg materiaal verwijderd	Ga verder met schuren
Er zijn brandplekken op het werkstuk	Schuurhuls is incompatibel met het geschuurde materiaal	Plaats een correcte schuurhuls op het apparaat
	Ingestelde gereedschapssnelheid is te hoog	Reduceer de snelheid van het gereedschap
	Op de schuurmachine uitgeoefende druk is te groot	Druk minder hard terwijl u het apparaat beweegt
Buitensporige stofvorming	Het vacuümstofafvoersysteem is niet aangesloten of niet ingeschakeld	Controleer de verbinding van de stofzuigerslang, de adapter voor de stofafvoer opening (7) (indien gebruikt), en zorg ervoor dat het stofafvoersysteem is ingeschakeld
	De stofafvoer werkt niet; stofafvoer is geblokkeerd	Controleer het stofafvoersysteem; verwijder de blokkering (zie "De stofafvoer opening schoonsmaken"). Raadpleeg een Triton-servicecentrum indien de problemen aanhouden

## Garantie

Om uw garantie te registreren, gaat u naar onze website op [www.tritontools.com](http://www.tritontools.com)\* en voert u uw gegevens in.

## Aankoopgegevens

Datum van aankoop: \_\_\_ / \_\_\_ / \_\_\_

Model: **TSPP650**

Bewaar uw aankoopbon als aankoopbewijs rt pr

Triton Precision Power Tools garandeert de koper van dit product dat indien een onderdeel defect is vanwege fouten in materiaal of uitvoering binnen 3 jaar na de datum van de oorspronkelijke aankoop,

Triton het defecte onderdeel gratis repareert of, naar eigen inzicht, vervangt.

Deze garantie heeft geen betrekking op commercieel gebruik en strekt zich niet uit tot normale slijtage of schade ten gevolge van een ongeluk, verkeerd gebruik of misbruik.

\* Registreer online binnen 30 dagen.

Algemene voorwaarden van toepassing.

# Traduction des instructions originales

## Introduction

Nous vous remercions d'avoir choisi cet équipement Triton. Ces instructions contiennent les informations nécessaires pour vous en garantir un fonctionnement efficace et en toute sécurité. Veuillez lire attentivement ce manuel pour vous assurer de tirer pleinement avantage des caractéristiques uniques de votre nouvel équipement. Gardez ce manuel à portée de main et assurez-vous que tous les utilisateurs l'aient lu et bien compris avant toute utilisation. Conservez-le pour toute référence ultérieure.

## Description des symboles

La plaque signalétique figurant sur votre appareil peut présenter des symboles. Ces symboles constituent des informations importantes relatives au produit ou des instructions concernant son utilisation.



Port de protections auditives  
Port de lunettes de sécurité  
Port du masque respiratoire  
Port du casque



Port de gants



**AVERTISSEMENT** - Pour limiter les risques de blessures, l'utilisateur doit impérativement lire et comprendre ce manuel avant d'utiliser le produit.



Dispositif d'évacuation de la poussière nécessaire ou vivement recommandé.



Pour usage à l'intérieur uniquement !



**TOUJOURS** débrancher l'appareil avant d'effectuer un réglage, de changer d'accessoire, de le nettoyer, de l'entretenir, ou lorsqu'il n'est plus utilisé !



Construction de classe II (double isolation pour une protection supplémentaire)



### Protection de l'environnement

Les appareils électriques usagés ne doivent pas être jetés avec les ordures ménagères. Veuillez les recycler dans les centres prévus à cet effet. Pour plus d'informations, veuillez contacter votre municipalité ou point de vente.



Conforme aux réglementations et aux normes de sécurité pertinentes.



Attention !



Émission de fumées ou de gaz toxiques !

## Abréviations pour les termes techniques

V	Volt(s)
~	Courant alternatif
A, mA	Ampère(s), Milliampère(s)
n <sub>0</sub>	Vitesse à vide
opm	Oscillation(s) par minute (oscillations/min)
Ø	Diamètre
Hz	Hertz
W, kW	Watt(s), Kilowatt(s)
min <sup>-1</sup>	Opération(s) par minute
rpm	Puissance acoustique en décibel (A pondéré)
dB(A)	Mètre(s) par seconde au carré (magnitude des vibrations)
m/s <sup>2</sup>	Mètres par seconde au carré (magnitude des vibrations)

## Caractéristiques techniques

Numéro de modèle	TSFSP650
Tension	230 – 240 V~, 50/60 Hz
Puissance	650 W
Vitesse à vide	1 800 – 3 200 tr/min
Fréquence des oscillations	50 - 90 /min
Longueur de course	6,5 mm
Longueur du manchon	76 mm
Diamètre du manchon	Ø 13 mm, Ø 19 mm, Ø 26 mm, Ø 38 mm
Classe de protection	
Indice de protection	IP20
Longueur du câble d'alimentation	2 m
Dimensions (L x l x H)	262 x 84 x 261 mm
Poids	2,2 kg
Du fait de l'évolution constante de nos produits, les caractéristiques des produits Triton peuvent changer sans notification préalable.	
<b>Informations sur le niveau sonore et vibratoire :</b>	
Pression acoustique L <sub>pa</sub> :	86,4 dB (A)
Puissance acoustique L <sub>wa</sub> :	97,4 dB (A)
Incertitude K :	3 dB (A)
Vibration pondérée a <sub>h</sub> :	4,874 m/s <sup>2</sup>
Incertitude K :	1,5 m/s <sup>2</sup>
<b>L'intensité sonore peut dépasser 85 dB (A) et il est nécessaire que l'utilisateur prenne des mesures de protection sonore.</b>	

**⚠ AVERTISSEMENT :** portez toujours des protections auditives lorsque le niveau d'intensité est supérieur à 85 dB (A) et limitez le temps d'exposition si nécessaire. Si l'intensité sonore devient inconfortable, même avec les protections, arrêtez immédiatement d'utiliser l'appareil, vérifiez que les protections sont bien en places et adaptés avec le niveau sonore produit par l'appareil.

**⚠ AVERTISSEMENT :** l'exposition de l'utilisateur aux vibrations peut entraîner une perte du toucher, des engourdissements, des picotements et ainsi réduire la capacité de préhension. De longues expositions peuvent également provoquer ces symptômes de façon chronique. Si nécessaire, limitez le temps d'exposition aux vibrations et portez des gants anti-vibrations. N'utilisez pas cet outil lorsque la température de vos mains est en dessous des températures normales, car l'effet vibratoire en est accentué. Référez-vous aux chiffres indiqués dans les caractéristiques techniques des caractéristiques relatifs aux vibrations pour calculer le temps et la fréquence d'utilisation de l'outil.

**⚠ AVERTISSEMENT :** l'émission de vibrations effective au cours de l'utilisation de l'appareil peut différer de la valeur totale déclarée en fonction de la manière dont l'outil est utilisé. Il sera utile d'identifier les mesures de sécurité afin de protéger l'utilisateur en fonction de l'estimation de l'exposition en conditions réelles d'utilisation (en prenant en compte toutes les phases du cycle de fonctionnement telles que les périodes où l'outil est éteint, lorsqu'il est allumé mais inactif, en plus du temps de déclenchement).

La valeur totale des vibrations déclarée a été mesurée conformément à une méthode d'essai normalisée et permet de comparer un outil à un autre. La valeur totale des vibrations déclarée peut également être utilisée lors d'une évaluation préliminaire d'exposition.

Les niveaux sonores et vibratoires indiqués dans la section « Caractéristiques techniques » du présent manuel sont déterminés en fonction de normes internationales. Ces données correspondent à un usage normal de l'outil, et ce dans des conditions de travail normales. Un appareil mal entretenu, mal assemblé ou mal utilisé peut augmenter les niveaux sonores et vibratoires. Le site [www.osha.europa.eu](http://www.osha.europa.eu) offre de plus amples informations sur les niveaux sonores et vibratoires sur le lieu de travail, celles-ci pourront être utiles à tout particulier utilisant des outils électriques pendant des périodes prolongées.

## Consignes générales de sécurité relatives à l'utilisation d'outils et appareils électriques

**AVERTISSEMENT :** veuillez lire toutes les consignes de sécurité et toutes les instructions dispensées dans le présent manuel. Le fait de ne pas suivre toutes les instructions données ci-dessous peut provoquer un choc électrique, un incendie et/ou une blessure grave.

Veuillez conserver ces instructions et consignes de sécurité pour référence ultérieure.

L'expression « appareil électrique » employée dans les présentes consignes recouvre aussi bien les appareils filaires à brancher sur secteur que les appareils sans fils fonctionnant avec batterie.

### 1) Sécurité sur la zone de travail

- a) **Maintenir une zone de travail propre et bien éclairée.** Des zones encombrées et mal éclairées sont sources d'accidents.
- b) **Ne pas utiliser d'appareils électriques dans des environnements explosifs, tels qu'à proximité de liquides, de gaz ou de poussières inflammables.** Les appareils électriques produisent des étincelles susceptibles d'enflammer la poussière ou les vapeurs présents.
- c) **Éloigner les enfants et toute personne se trouvant à proximité pendant l'utilisation d'un appareil électrique.** Ceux-ci pourraient vous distraire et vous faire perdre la maîtrise de l'appareil.

### 2) Sécurité électrique

- a) **Les prises des appareils électriques doivent correspondre aux prises du secteur. Ne modifiez jamais la prise en aucune façon. Ne jamais utiliser d'adaptateur sur la prise électrique d'outil mis à la terre.** Des prises non modifiées, adaptées aux boîtiers de prise de courant, réduiront les risques de décharge électrique.
- b) **Éviter le contact corporel avec les surfaces mises à la terre telles que tuyaux, radiateurs, cuisinières et réfrigérateurs.** Le risque de décharge électrique est plus important si votre corps est mis à la terre.
- c) **Ne pas exposer votre appareil électrique à la pluie ou à l'humidité.** L'infiltration d'eau dans un appareil électrique augmentera le risque de décharge électrique.
- d) **Ne pas maltraiter le cordon électrique.** N'utilisez jamais le cordon électrique pour porter, tirer ou débrancher l'appareil électrique. Conservez le cordon électrique à l'écart de la chaleur, de l'essence, de bords tranchants ou de pièces en mouvement. Un cordon électrique endommagé ou entortillé accroît le risque de décharge électrique.
- e) **Au cas où l'appareil électroportatif serait utilisé à l'extérieur, servez-vous d'une rallonge appropriée à une utilisation en extérieur.** Cela réduit le risque de décharge électrique.
- f) **Si une utilisation de l'appareil dans un environnement humide ne peut être évitée, utilisez une alimentation protégée par un disjoncteur différentiel.** L'utilisation d'un disjoncteur différentiel réduit le risque de décharge électrique.

- g) **Lorsque utilisé en Australie ou en Nouvelle Zélande, il est recommandé que cet appareil soit TOUJOURS s'alimenté via un disjoncteur différentiel ayant un courant résiduel de 30 mA ou moins.**
- h) **Utiliser une rallonge adaptée.** Vérifiez que les rallonges électriques soient toujours en bon état. Lors de l'utilisation d'une rallonge, assurez-vous qu'elle est adaptée au transport du courant demandé par l'appareil. Un câble sous-dimensionné entraînera une baisse de tension et conduira à une perte de puissance voire à une surchauffe.
- 3) **Sécurité des personnes**
  - a) **Rester vigilant et faire preuve de bon sens lors de la manipulation de l'appareil. Ne pas utiliser d'appareil électrique en état de fatigue ou sous l'influence de drogues, d'alcool ou de médicaments.** Un moment d'inattention pendant l'utilisation d'un appareil électrique peut se traduire par des blessures graves.
  - b) **Porter des équipements de protection.** Porter toujours des lunettes de protection. Le port d'équipements de protection tels que des masques à poussières, des chaussures de sécurité antidérapantes, un casque de sécurité ou des protections antibrûl, selon le travail à effectuer, réduira le risque de blessures aux personnes.
  - c) **Éviter tout démarrage accidentel.** S'assurer que l'interrupteur marche-arrêt soit en position d'arrêt (Off) avant de brancher l'appareil sur l'alimentation secteur. Porter un appareil électrique tout en maintenant le doit posé sur l'interrupteur ou brancher un appareil électrique dont l'interrupteur est sur la position de marche (On) est source d'accidents.
  - d) **Enlever toute clé ou tout instrument de réglage avant de mettre l'appareil électrique en marche.** Une clé ou un instrument de réglage resté fixé à un élément en rotation de l'appareil électrique peut entraîner des blessures physiques.
  - e) **Ne pas essayer d'atteindre une zone hors de portée.** Garder une position stable afin de maintenir votre équilibre. Cela permet de mieux contrôler l'appareil électrique dans des situations inattendues.
  - f) **Porter des vêtements appropriés. Ne pas porter de vêtements amples ou des bijoux pendents.** Garder les cheveux et vêtements à l'écart des parties mobiles. Les vêtements amples, les bijoux pendants ou les cheveux longs peuvent être happés par les pièces en mouvement.
  - g) **Si l'appareil est équipé de dispositifs destinés au raccord d'équipements d'extraction et de récupération de la poussière/sciure, s'assurer qu'ils soient bien fixés et utilisés correctement.** L'utilisation de ces dispositifs peut réduire les risques dus à la poussière.
  - h) **Ne relâchez pas votre vigilance sous prétexte qu'un usage fréquent vous donne l'impression de vous sentir suffisamment en confiance et familier avec l'appareil et son utilisation.** Une action considérée qui ne durait ni serait-ce qu'une fraction de seconde pourrait entraîner un accident impliquant de graves blessures.
- 4) **Utilisation et entretien d'appareils électriques**
  - a) **Ne pas surcharger l'appareil électrique.** Utiliser l'appareil électrique approprié au travail à effectuer. Un appareil électrique adapté et employé au rythme pour lequel il a été conçu permettra de réaliser un travail de meilleure qualité et dans de meilleures conditions de sécurité.
  - b) **Ne pas utiliser un appareil électrique dont l'interrupteur marche-arrêt est hors service.** Tout appareil électrique dont la commande ne s'effectue plus par l'interrupteur marche-arrêt est dangereux et doit être réparé.
  - c) **Débrancher l'appareil électrique et/ou retirer la batterie, dans la mesure du possible, avant d'effectuer tout réglage, changement d'accessoire ou avant de le ranger.** De telles mesures préventives réduiront les risques de démarrage accidentel.
  - d) **Ranger les appareils électriques inutilisés hors de portée des enfants et ne pas permettre l'utilisation de ces appareils aux personnes novices ou n'ayant pas connaissance de ces instructions.** Les appareils électriques sont dangereux dans les mains d'utilisateurs inexpérimentés.
  - e) **Veiller à l'entretien des appareils électriques.** Vérifier que les éléments rotatifs soient bien alignés et non grippés. S'assurer de l'absence de pièces cassées ou endommagées susceptibles de nuire au bon fonctionnement de l'appareil. Si l'appareil électrique est endommagé, le faire réparer avant toute utilisation. De nombreux accidents sont causés par l'utilisation d'appareils électriques mal entretenus.
  - f) **Garder les appareils de coupe affûtés et propres.** Des appareils de coupe bien entretenus, aux tranchants bien affûtés, sont moins susceptibles de se gripper et sont plus faciles à contrôler.
  - g) **Utiliser l'appareil électrique, les accessoires et les appareils à monter, etc., conformément à ces instructions et selon l'utilisation prévue pour le type d'appareil donné, en tenant compte des conditions de travail et de la tâche à réaliser.** Toute utilisation de cet appareil électrique autre que celle pour laquelle il a été conçu peut entraîner des situations à risque et entraîner une annulation de sa garantie.
  - h) **Veillez à ce que les poignées et toute surface de préhension de l'appareil soient toujours propres, sèches et exemptes d'huile et de graisse.** Une poignée ou une surface de préhension rendue glissante ne consentira pas à l'utilisateur de conserver une parfaite maîtrise de son appareil en toutes circonstances.
- 5) **Entretien**
  - a) **Ne faire réparer l'outil électrique que par un réparateur qualifié utilisant uniquement des pièces de rechange identiques.** Cela permettra d'assurer la sécurité continue de cet appareil électrique.

# Consignes de sécurité relatives aux appareils de ponçage

## AVERTISSEMENT !

- Tenez l'outil **uniquement** par les surfaces de préhension isolantes, pendant les opérations au cours desquelles l'accessoire coupant peut être en contact avec des conducteurs cachés ou avec son propre câble. Le contact de l'accessoire coupant avec un fil sous tension peut, mettre sous tension les parties métalliques exposées de l'outil électrique et provoquer un choc électrique sur l'opérateur.
- Utilisez un étai ou tout autre moyen pratique et sûr pour maintenir la pièce de travail stable. Le fait de la tenir entre ses mains ou contre son corps la rend instable et peut conduire à une perte de maîtrise de l'objet.
- a. Munissez-vous **TOUJOURS** des équipements de sécurité appropriés, parmi lesquels un masque contre les poussières d'une protection minimum FFP2, des lunettes de sécurité et un casque anti-bruit.
- b. Il vous appartient de veiller à ce que les personnes se trouvant à proximité de votre zone de travail soient également protégées par des équipements adéquats.
- c. Observez une prudence particulière lors du ponçage de certaines essences de bois (le hêtre, le chêne, l'acajou et le teck, par exemple) car la poussière produite est toxique et peut provoquer des réactions aiguës chez certaines personnes.
- d. N'utilisez **JAMAIS** cette ponceuse sur des matériaux contenant de l'amiante. Si vous n'êtes pas certain de la présence ou non d'amiante, veuillez consulter l'avis d'un professionnel.
- e. **NE** poncez **PAS** le magnésium ni les alliages qui en contiennent une proportion élevée.
- f. Tenez compte des peintures de finition et des traitements qui peuvent avoir été appliqués sur la matière à poncer. De nombreux traitements peuvent produire une poussière toxique ou dangereuse pour la santé. Si vous travaillez dans un bâtiment dont la construction est antérieure à 1960, sachez que la présence de peintures à base de plomb est fort probable.
- g. La poussière produite par le ponçage des peintures à base de plomb est particulièrement dangereuse pour les enfants, les femmes enceintes et les personnes atteintes d'hypertension. Faites en sorte que ces personnes **SE TIENNENT À L'ÉCART** de la zone de travail, même si elles portent un équipement de protection adéquat.
- h. Dans la mesure du possible, employez un système d'extraction des poussières pour mieux contrôler la dispersion des poussières.
- i. Observez la plus grande prudence lors de l'utilisation d'un même appareil pour poncer le bois et le métal. Les étincelles du métal peuvent aisément enflammer les poussières de bois. Nettoyez toujours complètement l'outil pour réduire le risque d'incendie.
- j. Videz régulièrement le sac ou conteneur de poussières (si applicable) durant l'utilisation de l'appareil, avant de faire une pause et après avoir fini de réaliser votre ponçage. L'accumulation de poussières peut constituer un risque d'explosion. **NE PAS** jeter les poussières de ponçage à une flamme nue. Une combustion spontanée peut se produire lorsque des particules d'eau et d'huile entrent en contact avec des particules de poussières. Veuillez éliminer les déchets produits avec précaution et en respectant les réglementations en vigueur.
- k. Les surfaces de travail et le papier abrasif peuvent atteindre des températures très élevées au cours du travail ; en cas de signe de combustion (fumée ou cendre) de la surface de travail, arrêtez l'opération en cours et attendez que le matériel refroidisse. **NE touchez PAS** la surface de travail ni le papier abrasif avant qu'ils n'aient eu le temps de refroidir.
- l. **Ne touchez pas** la feuille de ponçage lorsqu'elle est en mouvement.
- m. Éteignez toujours l'appareil avant de le déposer.
- n. **NE PAS** utiliser cet appareil pour un ponçage humide. Tout liquide qui pénétrerait dans le boîtier du moteur pourrait causer de très graves chocs électriques.
- o. Débranchez toujours l'appareil avant de procéder au changement ou à l'installation d'un accessoire.
- p. Même lorsque l'outil est utilisé comme indiqué, il est impossible d'éliminer tous les facteurs de risque résiduels. Si vous avez des doutes quant à la manière sûre et correcte de procéder, il est recommandé de ne pas utiliser cet outil.

## Descriptif du produit

1. Régulateur de vitesse
2. Interrupteur marche/arrêt
3. Trous pour le montage sur établi
4. Événements du moteur
5. Trous pour le guide de rebords
6. Cordon d'alimentation
7. Adaptateur pour tubulure d'extracteur de poussières (amovible)
8. Base pour le ponçage
9. Manchon de ponçage
10. Boulon de serrage
11. Rondelle du cylindre
12. Surfaces de préhension en caoutchouc
13. Attaches pour le montage sur établi
14. Tapis protecteur pour le montage sur établi

15. Cylindre pour manchon de ponçage
16. Guide de bords
17. Vis de blocage du guide rebords (x 2)
18. Cylindres pour manchon de ponçages supplémentaires

## Usage conforme

Ponceuse à cylindre oscillant compacte et portable idéale pour tâches d'intensité légère de ponçage de contours, de parois internes incurvées ou encore pour reproduire un même travail à l'aide d'un modèle. Peut-être utilisée à la fois comme outil portatif ou stationnaire, montée sur établi.

L'outil doit **UNIQUEMENT** être utilisé dans son but prescrit. Toute autre utilisation que celle indiquée dans le présent manuel sera considérée impropre. Tout dommage et toute lésion provenant d'un quelconque utilisation impropre de l'outil relèvera de la responsabilité de l'utilisateur et non du fabricant. Le fabricant ne peut être tenu responsable d'aucune modification apportée à l'outil ni d'aucun dommage résultant d'une telle modification.

Remarque : ce produit n'est pas indiqué pour un usage commercial.

## Déballage

- Déballer le produit avec soin. Veillez à retirer tout le matériau d'emballage et familiarisez-vous avec toutes les caractéristiques du produit.
- Assurez-vous que toutes les pièces sont présentes et en bon état. Si des pièces sont endommagées ou manquantes, faites-les réparer ou remplacer avant d'utiliser l'appareil.

## Avant utilisation

⚠ **AVERTISSEMENT** : assurez-vous que l'outil est éteint et débranché de la source d'alimentation avant de procéder à la pose ou au retrait d'un accessoire, ou de réaliser toute opération de réglage, de nettoyage ou d'entretien.

## Choisir le manchon de ponçage approprié

- Des manchons de ponçage sont disponibles de granulométries différentes : grain gros (grain 60), moyen (grain 120) et fin (grain 240).
- Utilisez un gros grain pour un dégrossissage, un grain moyen pour rendre la pièce de travail lisse, et un grain fin pour une finition parfaite.
- Utilisez toujours des manchons de ponçage de bonne qualité pour optimiser la qualité de finition de la tâche.
- Il est recommandé d'effectuer un test sur une chute de matériau pour choisir le papier abrasif adéquat selon la tâche à réaliser. S'il y a toujours des marques après le ponçage, essayez de les enlever en ponçant à nouveau avec le disque à grain grossier avant de recommencer à poncer avec le grain initial, ou bien, essayez d'utiliser un disque abrasif neuf afin d'éliminer toute marque non désirée avant de passer à un disque de grain plus fin qui va servir à parfaire la finition.

## Pose d'un manchon de ponçage

⚠ **ATTENTION** : Assurez-vous que l'outil est éteint et débranché de la source d'alimentation avant de procéder à la pose ou au retrait d'un manchon de ponçage.

Remarque : Cessez d'utiliser tout manchon de ponçage usé, déchiré ou fortement encrassé. Veillez à retirer tout élément étranger (clous, vis, etc.) de la pièce à poncer avant de commencer le ponçage.

⚠ **ATTENTION** : N'UTILISEZ PAS un manchon de ponçage ayant préalablement été utilisé sur du métal si vous souhaitez poncer du bois. Cela pourrait occasionner des rayures sur la surface de bois à poncer.

1. Retirez le boulon de serrage (10) et la rondelle du cylindre (11).
2. Retirez le cylindre pour manchon de ponçage (15).
3. Faites glisser un manchon de ponçage (9) sur le cylindre (Fig. A).
4. Remettez le cylindre avec son manchon sur l'arbre (Fig. B).
5. Remettez la rondelle du cylindre (Fig. C) en place ainsi que le boulon de serrage et serrez bien (Fig. D).

Remarque : schéma de l'assemblage en Fig. I.

## Extraction des poussières

⚠ **AVERTISSEMENT** : installez toujours un système d'évacuation des poussières/sciures qui soit adapté si le matériau à poncer contient des substances toxiques telles que de la peinture ancienne, du vernis, des revêtements protecteurs, etc. Débarrassez-vous toujours de ces poussières toxiques conformément à la législation en vigueur dans votre pays.

⚠ **AVERTISSEMENT** : prenez toutes les mesures de protection possibles vis-à-vis des poussières toxiques ou nocives lors du ponçage de surfaces ayant reçu de la peinture au plomb, du métal ou de certaines essences de bois, notamment si vous n'êtes pas sûr des substances en présence. Toute personne pénétrant dans la zone de travail doit être pourvue d'un masque conçu pour protéger contre les poussières et vapeurs toxiques. Les enfants et les femmes enceintes ne **DOIVENT PAS** pénétrer dans la zone de travail. **NE PAS** manger, boire ni fumer dans la zone de travail.

- Cette ponceuse est spécialement conçue pour être branchée à un tuyau d'aspirateur domestique ou à un système d'extraction des poussières pour atelier. Cela constitue le moyen le plus recommandé et le plus efficace pour l'extraction de poussières.
- Branchez un tuyau d'aspiration compatible avec l'adaptateur pour tubulure d'extracteur de poussières (7).
- Pour retirer l'adaptateur pour tubulure d'extracteur de poussières : tournez-le dans le sens contraire des aiguilles d'une montre de sorte que les goupilles se placent dans l'alignement des encoches de la tubulure puis, retirez-le.
- Pour remettre l'adaptateur pour tubulure d'extracteur de poussières en place : Insérez-le alors que les goupilles de la tubulure sont alignées avec les encoches de la tubulure puis, tournez l'adaptateur dans le sens des aiguilles d'une montre pour le bloquer en position (Fig. E).
- Cette ponceuse à cylindre oscillant compacte peut être utilisée sans adaptateur ni système d'extraction des poussières. Toutefois, il est vivement recommandé d'utiliser toujours un dispositif d'extraction des poussières approprié.

**⚠ AVERTISSEMENT** : lorsque vous réalisez un ponçage sur du métal, vous devez toujours brancher un système d'extraction approprié. Une fois l'application terminée, vous devez nettoyer SOIGNEUSEMENT l'appareil, tout particulièrement lorsque vous passez d'un ponçage sur bois au ponçage du métal, et vice versa.

**Remarque** : Un sac à poussières n'est pas fourni avec cette ponceuse car celle-ci nécessite l'utilisation d'un extracteur de poussières garantissant une extraction des poussières optimale. Le recours à un sac à poussières d'une autre marque ne constitue pas une méthode efficace pour l'extraction des poussières et par conséquent ne saurait être recommandé.

## Instructions d'utilisation

**⚠ AVERTISSEMENT** : portez toujours des lunettes de sécurité, un masque à poussières adéquat, des protections auditives et des gants appropriés lorsque vous utilisez cet appareil.

**⚠ AVERTISSEMENT** : ne touchez jamais le manchon de ponçage (9) lorsque la ponceuse est en marche.

**Remarque** : si possible, utilisez toujours des serre-joints pour maintenir la pièce d'ouvrage sur l'établi.

**⚠ AVERTISSEMENT** : ne laissez JAMAIS un manchon de ponçage s'user complètement avant de le changer. Le non-respect de cette consigne peut entraîner une usure du cylindre spécialement prévu pour recevoir le manchon de ponçage (15), ce qui pourrait avoir pour conséquence de l'abîmer et ainsi, de ne plus garantir une bonne fixation du manchon de ponçage.

### Mettre en marche/arrêt

**⚠ AVERTISSEMENT** : n'allumez jamais l'appareil alors que le manchon de ponçage est en contact avec la pièce d'ouvrage ou toute autre surface car cela pourrait conduire à une perte de contrôle de l'appareil, ce qui pourrait constituer pour l'opérateur un risque de se blesser gravement.

1. Branchez le câble d'alimentation à la prise de courant.
  2. Pour allumer la ponceuse, appuyez l'interrupteur marche/arrêt (2) pour le mettre sur position 'I'.
  3. Pour éteindre la ponceuse, appuyez le bouton marche/arrêt pour le mettre sur position '0'.
- ⚠ AVERTISSEMENT** : attendez toujours l'arrêt complet de l'appareil avant de le reposer. Pensez toujours à le débrancher après utilisation.

### Régler la vitesse de l'outil

**⚠ AVERTISSEMENT** : n'installez jamais un accessoire sur le cylindre pour manchon de ponçage (15) qui ne soit pas adapté à la vitesse à vide maximale de cet appareil (voir section 'Caractéristiques techniques' du présent manuel).

• Cette ponceuse Triton est pourvue d'un régulateur de vitesse qui lui donne la capacité d'être utilisée avec de nombreux accessoires pour s'adapter à une grande variété de tâches sur différents matériaux, pièces d'ouvrages ou objets.

**Remarque** : le régulateur de vitesse (1) peut être réglé indifféremment alors que l'appareil est allumé ou éteint. Lorsque le régulateur est positionné sur '1' la vitesse à vide de l'appareil est alors de 1 800 tr/min alors que lorsque le régulateur de vitesse est mis en position sur le '6' la vitesse à vide maximale atteinte sera de 3 200 tr/min.

- Pour régler la vitesse, faites tourner le régulateur et positionnez le sur le réglage correspondant à la vitesse désirée.
- La vitesse peut être sélectionnée sur une plage comprise entre 1 et 6, la position '1' correspondant à la vitesse la plus basse et la position '6' correspondant à la position la plus élevée.
- En cas de doute quant à la vitesse la mieux adaptée à la tâche à réaliser, commencez par sélectionner une vitesse basse puis, vérifiez le résultat obtenu avant de régler à une vitesse plus élevée si nécessaire.

### Ponçage de bords

- Cette ponceuse à cylindre oscillant compacte est particulièrement efficace pour le ponçage de bords pour une multitude de pièces d'ouvrage à surface plate (Fig. F).
- Assurez-vous que la pièce à travailler est fixée. Dans la mesure du possible, utilisez des pinces de serrage.
- Le guide de bords (16) peut être fixé sur la ponceuse si nécessaire (Fig. J). Appuyez le guide de bords contre la ponceuse et fixez-le à la position voulue grâce aux vis spécialement prévues (17) (Fig. I).

1. La ponceuse doit être placée avec sa base pour le ponçage (8) mise à plat sur la pièce d'ouvrage et le manchon de ponçage (9) face tournée vers le bas. Veillez à laisser suffisamment d'espace pour permettre la longueur de course nécessaire au mouvement oscillant de la ponceuse allant de haut en bas.
2. Vous devez d'abord allumer le système d'extraction des poussières (si déjà branché), puis allumer votre ponceuse.
3. Effectuez des passes courtes sur toute la bordure de la pièce d'ouvrage, en procédant lentement.
4. Laissez la ponceuse agir et n'appliquez pas de force excessive sur la ponceuse en appuyant contre la pièce d'ouvrage. En effet, cela pourrait endommager à la fois l'outil et la pièce d'ouvrage, voire occasionner un risque de blessures pour l'opérateur.

**Remarque** : si vous utilisez le guide de bords, commencez toujours par poncer par un coin ou le bords de la pièce d'ouvrage. Commencez par la partie avant en procédant progressivement ensuite sur toute la surface.

### Montage inversé de la ponceuse sur l'établi

**⚠ AVERTISSEMENT** : assurez-vous toujours que la ponceuse soit éteinte et débranchée avant de procéder au montage sur établi de votre ponceuse.

• Cette ponceuse à cylindre oscillant compacte est particulièrement efficace pour le ponçage de bords d'une multitude de pièces d'ouvrage lorsqu'elle est montée sur établi en position inversée (Fig. G).

1. Disposez le tapis protecteur spécialement prévu pour le montage sur établi (14) près du bord d'un établi parfaitement stable.
2. Placez la ponceuse en position inversée, tête en bas, sur le tapis et fixez l'ensemble sur l'établi à l'aide des attaches spécialement prévues pour le montage (13). Veillez à ce que la ponceuse soit bien fixée sur l'établi à l'aide des écrous papillon présentes sur les pinces de serrage.
3. Raccordez le tuyau de votre système d'extraction des poussières à l'adaptateur pour tubulure d'extracteur de poussières (le cas échéant).

**Remarque** : le recours à un système d'extraction des poussières approprié est toujours vivement recommandé lorsque la ponceuse est utilisée montée en position sur l'établi.

4. Sélectionnez la vitesse voulue à l'aide du régulateur de vitesse (1).
5. Allumez votre système d'extraction (si déjà branché) puis allumez votre ponceuse.
6. Servez-vous de la base pour le ponçage (8) comme d'une surface de travail plane pour stabiliser la pièce d'ouvrage à poncer.
7. Laissez la ponceuse agir et n'appliquez pas de force excessive sur la ponceuse en appuyant la pièce d'ouvrage trop fort contre le manchon de ponçage (9). En effet, cela pourrait endommager à la fois l'outil et la pièce d'ouvrage, voire occasionner un risque de blessures pour l'opérateur.

### Conseils pour le ponçage

- Si l'appareil est connecté à un système d'extraction des poussières, mettez en marche le système avant de mettre en marche la ponceuse. De même, arrêtez la ponceuse avant d'éteindre le système d'extraction.
- Si possible utilisez un étiau ou un serre-joint pour fixer la pièce solidement à un établi. Assurez-vous que la pièce ne puisse pas bouger pendant le ponçage.

**⚠ AVERTISSEMENT** : appliquer une pression excessive n'entraîne pas un ponçage plus rapide, mais engendre une usure prématurée du manchon de ponçage (9) et peut endommager la machine. C'est le choix du manchon de ponçage qui va principalement déterminer la qualité de finition obtenue (référez-vous à la section « Choisir le manchon de ponçage approprié » du présent manuel).

### Ponçage du métal

**⚠ AVERTISSEMENT** : certaines précautions supplémentaires doivent être prises lors de ponçage sur métal.

- Connectez TOUJOURS votre ponceuse à un disjoncteur différentiel.
- Connectez TOUJOURS votre ponceuse à un système d'extraction de la poussière adapté.
- Nettoyez TOUJOURS votre ponceuse soigneusement avant de vous en servir pour poncer sur du métal.

**⚠ AVERTISSEMENT** : les particules de métal chaudes et les étincelles pourraient enflammer la poussière de bois résiduelle. Nettoyez TOUJOURS votre ponceuse soigneusement quand vous passez d'un ponçage sur bois à un ponçage sur métal, et vice versa.

- Un manchon de ponçage qui a été utilisé sur du métal ne doit pas être utilisé sur du bois par la suite. Des particules métalliques résiduelles pourraient égratigner et endommager la surface de votre pièce d'ouvrage.

## Accessoires

- Toute une gamme d'accessoires, comprenant des manchons de ponçage de granulométrie variée, est disponible auprès de votre revendeur Triton. Pour votre sécurité, n'utilisez que des accessoires Triton authentiques. Des pièces de rechange peuvent être obtenues auprès de votre revendeur Triton ou commandées en ligne sur [www.toolsparonline.com](http://www.toolsparonline.com)

## Entretien

**⚠ AVERTISSEMENT** : pensez TOUJOURS à débrancher l'appareil avant de procéder à toute opération d'inspection, d'entretien ou de nettoyage.

## Inspection générale

- Vérifiez régulièrement que toutes les vis de fixations soient toujours bien serrées. Elles peuvent devenir lâches au cours du temps à cause des vibrations.
- Vérifiez le câble d'alimentation de l'appareil avant chaque utilisation, à la recherche de tout signe de dommage ou d'usure. Toute réparation doit être réalisée par un centre agréé Triton. Ceci s'applique également pour les rallonges utilisées avec cet appareil.

## Lubrification

- Lubrifiez régulièrement les parties mobiles avec un vaporisateur de lubrifiant approprié.

## Nettoyage

- Gardez l'appareil propre en permanence. La poussière et la saleté provoquent l'usure rapide des éléments internes et réduisent la durée de vie de l'appareil.
- Nettoyez le boîtier de la machine à l'aide d'une brosse souple ou d'un chiffon sec.
- N'utilisez jamais d'agents caustiques sur les parties plastiques. Si un nettoyage sec ne suffit pas, il est recommandé d'utiliser un détergent doux sur un chiffon humide.
- L'appareil ne doit jamais être mis en contact avec de l'eau.
- Assurez-vous que l'appareil soit complètement sec avant de l'utiliser.
- Si vous en avez la possibilité, nettoyez les orifices de ventilation à l'air comprimé propre et sec (le cas échéant).

## Entretien du cylindre pour manchon de ponçage

- La surface du cylindre pour manchon de ponçage (15) doit être en permanence maintenue propre et exempte de toute trace de saletés ou de corps étrangers tels que cheveux, fibres, sable ou poussières, etc.
- Pour conserver une adhérence optimale en vue de la fixation d'accessoires, la surface du cylindre pour manchon de ponçage doit être tenue en bon état.
- Au cours du temps et des utilisations, le cylindre va s'user jusqu'à ne plus pouvoir assurer le maintien adéquat des manchons car son diamètre sera réduit.

**Remarque :** les cylindres pour manchons de ponçage de cette ponceuse NE sont PAS couverts par la garantie. À noter cependant que des cylindres de rechange sont disponibles auprès d'un centre de réparation agréé Triton.

## Entretien de la tubulure d'extraction des poussières

- Occasionnellement, il pourrait être nécessaire de déboucher ou de nettoyer la tubulure d'extraction des poussières ainsi que le conduit.
1. Pour nettoyer la tubulure et le conduit, commencez par retirer le cylindre pour manchon de ponçage (15) (référez-vous à la section « Pose d'un manchon de ponçage » du présent manuel).
  2. À l'aide d'un tournevis (non fourni), desserrez les vis situées sur la base (8) pour la retirer. Faites attention de ne pas desserrer les rondelles placées sous la base au niveau de chaque trou de vis (Fig. H).
  3. Retirez la plaque métallique située sur la base pour le ponçage pour découvrir le conduit de la tubulure des poussières (Fig. I).
  4. Nettoyez la partie interne du conduit, la tubulure ainsi que la partie creuse de la courroie à l'aide d'une brosse puis d'air comprimé.
  5. Après avoir procédé à un nettoyage minutieux, remettez la base pour le ponçage en position et resserrez bien les vis pour la faire tenir en place.
  6. Enfin, remettez le cylindre pour manchon de ponçage dans sa position initiale.

**⚠ AVERTISSEMENT :** une fois les opérations de nettoyage et d'entretien accomplies, vérifiez que tous les éléments de fixation tels que rondelles, vis et boulons soient bien en place et bien serrés avant d'envisager de réutiliser votre ponceuse. Si vous observez des vibrations excessives de votre ponceuse ou que celle-ci émet des bruits à la fois inhabituels et étranges, vous devez ARRÊTER d'utiliser votre ponceuse, l'éteindre et la débrancher. Répétez les étapes prévues pour la procédure de nettoyage afin de vous assurer que chaque élément a été remis en place correctement. Si le niveau sonore et vibratoire persiste à être particulièrement élevé, adressez-vous à un technicien qualifié Triton.

## Rangement

- Ranger cet outil et ses accessoires dans sa sacoche, dans un endroit sûr, sec et hors de portée des enfants.

## Contact

Pour tout conseil technique ou réparation, veuillez nous contacter au (+44) 1935 382 222.

**Site web :** [www.tritontools.com/fr-FR/Support](http://www.tritontools.com/fr-FR/Support)

**Adresse (GB) :**  
Toolstream Ltd.  
Boundary Way  
Luffton Trading Estate  
Yeovil, Somerset  
BA22 8HZ, Royaume-Uni

**Adresse (UE) :**  
Toolstream B.V.  
De Keten  
00004  
5651 GJ  
Eindhoven, Pays-Bas

## Recyclage

Lorsque l'outil n'est plus en état de fonctionner et qu'il n'est pas réparable, recyclez celui-ci conformément aux réglementations nationales.

- Ne jetez pas les outils électriques, batteries et autres déchets d'équipements électriques ou électroniques (DEEE) avec les ordures ménagères.
- Contactez les autorités locales compétentes en matière de gestion des déchets pour vous informer de la procédure à suivre pour recycler les outils électriques.

## En cas de problème

Problème	Cause possible	Solution
Ne fonctionne pas lorsque l'interrupteur marche/arrêt (2) est activé	Pas de courant	Vérifiez l'alimentation électrique
	Interrupteur marche/arrêt défectueux	Faites remplacer l'interrupteur marche/arrêt auprès d'un centre Triton agréé
Le moteur coupe, sa performance est réduite et il produit des étincelles et/ou une odeur de brûlé	Balais de charbon usés	Faites remplacer les balais de charbon auprès d'un centre Triton agréé
Aucun ponçage lorsque l'interrupteur marche/arrêt (2) est activé, bien que le moteur soit en marche	Les vitesses ne sont pas enclenchées	Adressez-vous à une centre Triton agréé
Ponçage lent	Manchon de ponçage (9) de granulométrie trop fine ou usé	Choisissez un manchon de ponçage avec un grain plus grossier
	Vitesse de l'appareil trop basse	Augmentez la vitesse
Rayures sur la pièce de travail après le ponçage	Grain du manchon de ponçage trop grossier	Choisissez un manchon de ponçage avec un grain plus fin
	Ponçage inachevé	Continuez le ponçage
Marques de brûlure sur la pièce de travail	Manchon de ponçage incompatible avec le matériau	Choisissez un manchon de ponçage approprié
	Vitesse trop élevée	Réduisez la vitesse
	Trop de pression exercée sur la ponceuse	Exercez moins de pression dans vos mouvements
Dégagement important de poussières	Le système d'extraction de la poussière n'est pas connecté, ou le système d'extraction n'est pas connecté	Vérifiez la connexion du tuyau d'aspirateur ou de l'adaptateur (7) (le cas échéant), et assurez-vous que le système d'extraction de la poussière soit allumé
	Le système d'extraction des poussières ne fonctionne pas ou le conduit d'extraction est bloqué	Vérifiez le système d'extraction des poussières et débloquez le conduit, le cas échéant (référez-vous à la section « Entretien de la tubulure d'extraction des poussières » du présent manuel). Si le problème persiste, adressez-vous à un centre d'entretien Triton agréé

## Garantie

Pour valider votre garantie, rendez-vous sur notre site internet [tritontools.com](http://tritontools.com)\* et saisissez vos coordonnées.

## Pense-bête

Date d'achat : \_\_\_/\_\_\_/\_\_\_

Modèle: **TSPSP650**

Veillez conserver votre ticket de caisse comme preuve d'achat.

Si toute pièce de ce produit s'avérait défectueuse du fait d'un défaut de fabrication ou de matériau dans les 3 ANS à compter de la date d'achat, Triton Precision Power Tools s'engage auprès de l'acheteur de ce produit à réparer ou, à sa discrétion, à remplacer gratuitement la pièce défectueuse.

Cette garantie ne s'applique pas lors d'un usage commercial et ne couvre pas l'usure normal du produit ou les dommages liés à un accident, un usage abusif ou un usage non-conforme de l'appareil.

\* Enregistrez votre produit en ligne dans les 30 jours suivant la date d'achat.

Offre soumise à conditions.

Ceci n'affecte pas vos droits statutaires.

# Übersetzung der Originalbetriebsanleitung

## Einführung

Vielen Dank, dass Sie sich für dieses Triton-Werkzeug entschieden haben. Diese Anleitung enthält wichtige Informationen für das sichere und effektive Arbeiten mit diesem Produkt. Bitte lesen Sie diese Anleitung sorgfältig durch, um den größtmöglichen Nutzen aus dem einzigartigen Design dieses Produkts ziehen zu können. Bewahren Sie diese Anleitung griffbereit auf und sorgen Sie dafür, dass alle Benutzer dieses Geräts sie gelesen und verstanden haben. Bitte bewahren Sie diese Anweisung für spätere Nachschlagezwecke mit dem Artikel zusammen auf.

## Symbolerklärung

Auf dem Typenschild des Werkzeugs sind möglicherweise Symbole abgebildet. Sie vermitteln wichtige Informationen über das Produkt oder dienen als Gebrauchsanweisung.



Gehörschutz tragen  
Augenschutz tragen  
Atemschutz tragen  
Kopfschutz tragen



Schutzhandschuhe tragen



**WARNUNG!** Zur Verringerung der Verletzungsgefahr Bedienungsanleitung sorgfältig lesen



Staubabsaugung erforderlich bzw. empfohlen



Nur für den Innengebrauch!



Vor Einstellungsänderungen, Zubehörexcheln, Reinigungs- und Instandhaltungsarbeiten sowie bei Nichtgebrauch stets von der Spannungsversorgung trennen!



Schutzklasse II (für zusätzlichen Schutz doppelt isoliert)



**Umweltschutz**  
Elektroaltgeräte dürfen nicht über den Haushaltsmüll entsorgt werden. Nach Möglichkeit bitte über entsprechende Einrichtungen entsorgen. Lassen Sie sich bezüglich der sachgemäßen Entsorgung von Elektrowerkzeugen von der zuständigen Behörde oder dem Händler beraten.



Erfüllt die einschlägigen Rechtsvorschriften und Sicherheitsnormen



Achtung, Gefahr!



Giftige Dämpfe oder Gase!

## Verzeichnis der technischen Symbole und Abkürzungen

V	Volt
~	Wechselstrom
A, mA	Ampere, Milliampere
n <sub>0</sub>	Leerlaufdrehzahl
Os <sub>z./Min.</sub>	Kreisbahnen oder Oszillationen pro Minute
Ø	Durchmesser
Hz	Hertz
W, kW	Watt, Kilowatt
min <sup>-1</sup>	Drehzahl, d.h. Umdrehungen pro Minute
dB(A)	Schallpegel in Dezibel (A-bewertet)
m/s <sup>2</sup>	Quadratmeter pro Sekunde (Schwingungsstärke)

## Technische Daten

Modellbezeichnung	TSPSP650	
Spannung	230–240 V– 50/60 Hz	
Leistung	650 W	
Leerlaufdrehzahl	1800-3200 min <sup>-1</sup>	
Spindeloszillationen	50-90 Os <sub>z./Min.</sub>	
Oszillationshub	6,5 mm	
Schleifhülshöhe	76 mm	
Schleifhülsendurchmesser	Ø13 mm, Ø19 mm, Ø26 mm, Ø38 mm	
Schutzklasse		
Schutzart	IP 20	
Netzkabellänge	2 m	
Geräteabmessungen (L x H x B)	262 x 261 x 84 mm	
Gewicht	2,2 kg	
Aufgrund der fortlaufenden Weiterentwicklung unserer Produkte können sich die technischen Daten von Triton-Produkten ohne vorherige Ankündigung ändern.		
<b>Geräusch- und Vibrationsinformationen</b>		
Schalldruckpegel L <sub>PA</sub>	86,4 dB(A)	
Schalleistungspegel L <sub>WA</sub>	97,4 dB(A)	
Unsicherheit K	3 dB	
Hand-Arm-Vibration a <sub>h</sub>	4,874 m/s <sup>2</sup>	
Unsicherheit K	1,5 m/s <sup>2</sup>	
<b>Der Schallintensitätspegel kann für den Bediener 85 dB(A) übersteigen und Lärmschutzmaßnahmen sind notwendig.</b>		



**⚠️ WARNUNG!** Tragen Sie in Bereichen, in denen der Lärmpegel 85 dB(A) überschreitet, unbedingt angemessenen Gehörschutz und begrenzen Sie nach Möglichkeit die Belastungsdauer. Sollte trotz Gehörschutz Unbehagen irgendeiner Art auftreten, beenden Sie die Arbeit unverzüglich und überprüfen Sie den Gehörschutz auf korrekten Sitz und Funktion und stellen Sie sicher, dass dieser einen angemessenen Schutz für den Lärmpegel bietet, der von den verwendeten Werkzeugen ausgeht.

**⚠️ WARNUNG!** Bei der Benutzung mancher Werkzeuge wird der Benutzer Vibrationen ausgesetzt, welche zum Verlust des Tastsinns, zu Taubheitsgefühl, Kribbeln und zu einer Verminderung der Handgrieffkraft führen können. Langfristige Belastung kann zu chronischen Beschwerden führen. Begrenzen Sie, falls nötig, die Exposition zu Vibrationen und tragen Sie vibrationsmindernde Handschuhe. Verwenden Sie dieses Werkzeug nicht mit kalten Händen, da Vibrationen bei Temperaturen unter dem individuellen Komfortbereich eine stärkere Wirkung erzeugen. Beurteilen Sie die Vibrationenbelastung unter Zuhilfenahme der Technischen Daten des jeweiligen Werkzeuges und bestimmen Sie die zulässige Belastungsdauer und -häufigkeit.

**⚠️ WARNUNG!** Die Schwingungsbelastung während der Arbeit mit dem Elektrowerkzeug kann je nach Einsatzort des Werkzeuges von angebenen Schwingungsenswerten abweichen. Um angemessene Sicherheitsmaßnahmen zum Schutz des Bedieners ergreifen zu können, sollten für eine genaue Abschätzung der Schwingungsbelastung auch die Zeiten berücksichtigt werden, in denen das Gerät abgeschaltet ist oder zwar läuft, aber nicht tatsächlich im Einsatz ist.

Der in dieser Anweisung angegebene Schwingungsenswert wurde mittels eines standardisierten Prüfverfahrens gemessen und kann zum Vergleich verschiedener Werkzeuge genutzt werden. Er eignet sich auch für eine vorläufige Einschätzung der Schwingungsbelastung.

Die in den Technischen Daten angegebenen Geräusch- und Vibrationsinformationen werden nach internationalen Standards bestimmt. Die angegebenen Werte entsprechen einer normalen Benutzung des Werkzeuges unter normalen Arbeitsbedingungen. Schlecht gewartete, inkorrekt montierte und unsachgemäß verwendete Werkzeuge können erhöhte Schallpegel und Vibrationswerte aufweisen. Weitere Informationen zur EU-Vibrationsrichtlinie und zu Schall- sowie Vibrationsbelastungen, die auch für Heimanwender relevant sein können, finden Sie auf den Seiten der Europäischen Agentur für Sicherheit und Gesundheitsschutz am Arbeitsplatz: [www.osha.europa.eu](http://www.osha.europa.eu)

## Allgemeine Sicherheitshinweise

**⚠️ WARNUNG!** Beachten Sie alle mit dem Gerät gelieferten Sicherheitshinweise, Anweisungen, Abbildungen und technischen Daten. Versäumnisse bei der Einhaltung der Sicherheitshinweise und Anweisungen können elektrischen Schlag, Brand und/oder schwere Verletzungen verursachen.

**Bewahren Sie alle Sicherheitshinweise und Anweisungen für die Zukunft auf.**

Der in den Sicherheitshinweisen verwendete Begriff „Elektrowerkzeug“ bezieht sich auf netzbetriebene Elektrowerkzeuge (mit Netzkabel) und auf akkubetriebene Elektrowerkzeuge (ohne Netzkabel).

### 1) Arbeitsplatzsicherheit

- a) Halten Sie Ihren Arbeitsbereich sauber und gut beleuchtet. Unordnung oder unbeluchtete Arbeitsbereiche können zu Unfällen führen.
- b) Arbeiten Sie mit dem Elektrowerkzeug nicht in explosionsgefährdeter Umgebung, in der sich brennbare Flüssigkeiten, Gase oder Stäube befinden. Elektrowerkzeuge erzeugen Funken, die den Staub oder die Dämpfe entzünden können.
- c) Halten Sie Kinder und andere Personen während der Benutzung des Elektrowerkzeugs fern. Bei Ablenkung können Sie die Kontrolle über das Gerät verlieren.

### 2) Elektrische Sicherheit

- a) Der Anschlussstecker des Elektrowerkzeuges muss in die Steckdose passen. Der Stecker darf in keiner Weise verändert werden. Verwenden Sie keine Adapterstecker gemeinsam mit geschützten Elektrowerkzeugen. Unveränderte Stecker und passende Steckdosen verringern das Risiko eines elektrischen Schlages.
- b) Vermeiden Sie Körperkontakt mit geerdeten Oberflächen wie von Rohren, Heizungen, Herden und Kühlschränken. Es besteht ein erhöhtes Risiko durch elektrischen Schlag, wenn Ihr Körper geerdet ist.
- c) Halten Sie Elektrowerkzeuge von Regen oder Nässe fern. Das Eindringen von Wasser in ein Elektrowerkzeug erhöht das Risiko eines elektrischen Schlages.
- d) Zweckentfremden Sie das Kabel nicht, um das Elektrowerkzeug zu tragen, aufzuhängen oder um den Stecker aus der Steckdose zu ziehen. Halten Sie das Kabel fern von Hitze, Öl, scharfen Kanten oder sich bewegenden Geräteteilen. Beschädigte oder verwickelte Kabel erhöhen das Risiko eines elektrischen Schlages.
- e) Wenn Sie mit einem Elektrowerkzeug im Freien arbeiten, verwenden Sie nur Verlängerungskabel, die auch für den Außenbereich geeignet sind. Die Anwendung eines für den Außenbereich geeigneten Verlängerungskabels verringert das Risiko eines elektrischen Schlages.
- f) Wenn der Betrieb des Elektrowerkzeuges in feuchter Umgebung nicht vermeidbar ist, verwenden Sie einen Fehlerstromschutzschalter. Der Einsatz eines Fehlerstromschutzschalters vermindert das Risiko eines elektrischen Schlages.

### 3) Sicherheit von Personen

- a) Seien Sie aufmerksam, achten Sie darauf, was Sie tun, und gehen Sie mit Vernunft an die Arbeit mit einem Elektrowerkzeug. Benutzen Sie kein Elektrowerkzeug, wenn Sie müde sind oder unter dem Einfluss von Drogen, Alkohol oder Medikamenten stehen. Ein Moment der Unachtsamkeit beim Gebrauch des Elektrowerkzeuges kann zu ernsthaften Verletzungen führen.
  - b) Tragen Sie persönliche Schutzausrüstung und immer eine Schutzbrille. Das Tragen persönlicher Schutzausrüstung, wie Staubmaske, rutschfeste Sicherheitsschuhe, Schutzhelm oder Gehörschutz, je nach Art und Einsatz des Elektrowerkzeuges, verringert das Risiko von Verletzungen.
  - c) Vermeiden Sie eine unbeabsichtigte Inbetriebnahme. Vergewissern Sie sich, dass das Elektrowerkzeug ausgeschaltet ist, bevor Sie es an die Stromversorgung und/oder den Akku anschließen, es aufnehmen oder tragen. Wenn Sie beim Tragen des Elektrowerkzeuges den Finger am Schalter haben oder das Gerät eingeschaltet an die Stromversorgung anschließen, kann dies zu Unfällen führen.
  - d) Entfernen Sie Einstellwerkzeuge oder Schraubenschlüssel, bevor Sie das Elektrowerkzeug einschalten. Ein Werkzeug oder Schlüssel, der sich in einem drehenden Geräteteil befindet, kann zu Verletzungen führen.
  - e) Vermeiden Sie eine unnatürliche Körperhaltung. Sorgen Sie für einen sicheren Stand und halten Sie jederzeit das Gleichgewicht. Auf diese Weise lässt sich das Elektrowerkzeug in unerwarteten Situationen besser kontrollieren.
  - f) Tragen Sie geeignete Kleidung. Tragen Sie keine weite Kleidung oder Schmuck. Halten Sie Haare, Kleidung und Handschuhe fern von sich bewegenden Teilen. Lockere Kleidung, Schmuck oder lange Haare können von sich bewegenden Teilen erfasst werden.
  - g) Wenn Staubabsaug- und -auffangeinrichtungen montiert werden können, vergewissern Sie sich, dass diese abgeschlossen sind und richtig verwendet werden. Verwendung einer Staubabsaugung kann Gefährdungen durch Staub verringern.
  - h) Vernachlässigen Sie bei häufiger Arbeit mit Elektrowerkzeugen trotz der Vertrautheit mit den Geräten nicht die Sicherheitsprinzipien. Fährliches Handeln kann in Sekundenbruchteilen zu schwersten Verletzungen führen.
- ### 4) Verwendung und Behandlung des Elektrowerkzeuges
- a) Überlasten Sie das Gerät nicht. Verwenden Sie für Ihre Arbeit das dafür bestimmte Elektrowerkzeug. Mit dem passenden Elektrowerkzeug arbeiten Sie besser und sicherer im angegebenen Leistungsbereich.
  - b) Benutzen Sie kein Elektrowerkzeug, dessen Schalter defekt ist. Ein Elektrowerkzeug, das sich nicht mehr ein- oder ausschalten lässt, ist gefährlich und muss repariert werden.
  - c) Ziehen Sie den Stecker aus der Steckdose und/oder entfernen Sie den Akku, bevor Sie Geräteeinstellungen vornehmen, Zubehörteile wechseln oder das Gerät welegen. Diese Vorsichtsmaßnahme verhindert den unbeabsichtigten Start des Elektrowerkzeuges.
  - d) Bewahren Sie unbenutzte Elektrowerkzeuge außerhalb der Reichweite von Kindern auf. Lassen Sie Personen das Gerät nicht benutzen, die mit diesem nicht vertraut sind oder diese Anweisungen nicht gelesen haben. Elektrowerkzeuge sind gefährlich, wenn sie von unerfahrenen Personen benutzt werden.
  - e) Pflegen Sie Elektrowerkzeuge mit Sorgfalt. Kontrollieren Sie, ob bewegliche Teile einwandfrei funktionieren und nicht klemmen, ob Teile gebrochen oder so beschädigt sind, dass die Funktion des Elektrowerkzeuges beeinträchtigt ist. Lassen Sie beschädigte Teile vor dem Einsatz des Gerätes reparieren. Viele Unfälle haben ihre Ursache in schlecht gewarteten Elektrowerkzeugen.
  - f) Halten Sie Schneidwerkzeuge scharf und sauber. Sorgfältig gepflegte Schneidwerkzeuge mit scharfen Schneidkanten verklemmen sich weniger und sind leichter zu führen.
  - g) Verwenden Sie Elektrowerkzeug, Zubehör, Einsatzwerkzeuge usw. entsprechend diesen Anweisungen. Berücksichtigen Sie dabei die Arbeitsbedingungen und die auszuführende Tätigkeit. Der Gebrauch von Elektrowerkzeugen für andere als die vorgesehenen Anwendungen kann zu gefährlichen Situationen führen.
  - h) Halten Sie Griffe und Griffflächen trocken, sauber und frei von Fett und Öl. Rutschige Hände und Griffflächen machen die sichere Handhabung des Elektrogeräts in unvorhergesehenen Situationen unmöglich.
- ### 5) Service
- a) Lassen Sie Ihr Elektrowerkzeug nur von qualifiziertem Fachpersonal und nur mit Original-Ersatzteilen reparieren. Damit wird sichergestellt, dass die Sicherheit des Elektrowerkzeuges erhalten bleibt.

# Zusätzliche Sicherheitshinweise für Schleifgeräte

## ⚠️ WARNUNG!

- Halten Sie das Elektrowerkzeug nur an den isolierten Handgriffen bzw. Griffflächen, denn das Schleifband/-blatt könnte mit dem Netzkabel in Kontakt kommen. Wird eine spannungsführende Leitung beschädigt, können dadurch freiliegende Metallteile des Elektrowerkzeugs unter Spannung gesetzt werden und dem Bediener einen Stromschlag versetzen.
- Setzen Sie Schraubzwingen o.ä. ein, um das Werkstück an einer stabilen Arbeitsfläche zu fixieren. Wird das Werkstück mit der Hand oder gegen den Körper gehalten, ist es nicht stabil genug und es kann zu einem Verlust der Kontrolle über das Gerät kommen.
- a) Tragen Sie stets geeignete persönliche Schutzausrüstung einschließlich Staubmaske (mindestens Schutzklasse FFP-2), Schutzbrille und Gehörschutz.
- b) Sorgen Sie dafür, dass alle in der Nähe des Arbeitsbereichs befindliche Personen ebenfalls geeignete persönliche Schutzausrüstung tragen.
- c) Seien Sie besonders vorsichtig beim Schleifen von Hölzern, die Giftstoffe erzeugen (z.B. Buche, Eiche, Mahagoni und Teak), da hierdurch bei einigen Personen starke Reaktionen hervorgerufen werden.
- d) Bearbeiten Sie niemals Asbest enthaltene Materialien. Falls Sie sich nicht sicher sind, ob ein Objekt Asbest enthält, ziehen Sie einen Fachmann hinzu.
- e) Schleifen Sie kein Magnesium oder Legierungen, die einen hohen Magnesiumanteil enthalten.
- f) Seien Sie beim Schleifen von Werkstoffen mit bemalten/behandelten Oberflächen vorsichtig. Beim Schleifen von behandelten Oberflächen kann giftiger oder anderweitig schädlicher Staub entstehen. Wenn Sie an einem Gebäude arbeiten, das vor 1960 gebaut wurde, ist die Wahrscheinlichkeit hoch, dass Sie bleihaltige Farbenstriche vorfinden.
- g) Der Staub, der beim Schleifen von bleihaltigen Farbenstrichen entsteht, ist besonders für Kinder, Schwangere und Menschen mit hohem Blutdruck gefährlich. Erlauben Sie diesen Personen nicht, sich in der Nähe des Arbeitsbereichs aufzuhalten, auch wenn diese geeignete persönliche Schutzausrüstung tragen.
- h) Setzen Sie zur Bekämpfung von Staub und Abfallstoffen nach Möglichkeit immer ein Staubabsaugsystem ein.
- i) Lassen Sie besondere Vorsicht walten, wenn Sie eine Maschine sowohl zum Schleifen von Holz als auch von Metall verwenden. Funken von der Metallbearbeitung können den Holzstaub leicht entzünden. Reinigen Sie das Gerät stets gründlich, um die Brandgefahr zu verringern.
- j) Entleeren Sie den Staubbeutel/-behälter (falls vorhanden) während des Gebrauchs regelmäßig, d.h. vor dem Einlegen von Pausen und nach Abschluss der Schleifanwendung. Staub stellt eine Explosionsgefahr dar. Schütten Sie Schleifstaub daher nicht ins offene Feuer. Wenn Öl- oder Wassertropfen mit Staubteilchen in Berührung gelangen, kann es zu Selbstentzündung kommen. Entsorgen Sie Abfallstoffe sorgfältig und vorschriftsmäßig entsprechend der örtlich geltenden Gesetze und Bestimmungen.
- k) Arbeitsflächen und Schleifblätter können während der Arbeit sehr heiß werden. Wenn Anzeichen von Verbrennung (Rauch oder Asche) auf der Arbeitsfläche zu erkennen sind, stellen Sie die Arbeit ein und lassen Sie das Werkstück abkühlen. Berühren Sie die Arbeitsfläche und das Schleifblatt nicht, bevor beide abkühlen konnten.
- l) Den laufenden Schleifaufsatz nicht berühren.
- m) Schalten Sie das Gerät stets aus, bevor Sie es ablegen.
- n) Gerät nicht zum Nassschleifen verwenden. In das Motorgehäuse eindringende Flüssigkeiten können schwere Stromschläge verursachen.
- o) Trennen Sie das Gerät stets vom Stromnetz, bevor Sie Schleifblatt- oder Zubehörwechsel vornehmen.
- p) Auch wenn dieses Gerät wie vorgeschrieben verwendet wird, ist es nicht möglich, sämtliche Restrisiken auszuschließen. Sollten Sie sich in irgendeiner Weise unsicher bezüglich der sachgemäßen und sicheren Benutzung dieses Werkzeugs sein, verwenden Sie es nicht.

## Geräteübersicht

1. Geschwindigkeitsregler
2. Ein-/Ausschalter
3. Werkbankbohrungen
4. Lüftungsschlitze
5. Kantenführungslöcher
6. Netzkabel
7. Staubabsaugstutzen (abnehmbar)
8. Schleifplatte
9. Schleifhülse
10. Sicherungsschraube
11. Walzenscheibe

12. Gummiflächen
13. Werkbankzwingen
14. Werkbankunterlage
15. Schleifwalze
16. Kantenführung
17. Kantenführungsschrauben (2)
18. Zusätzliche Schleifwalzen / Schleifhülsen

## Bestimmungsgemäße Verwendung

Kompakte, tragbare, oszillierende Spindelschleifmaschine für leichte, wahlweise handgeführte oder stationäre Anwendungen beim Kantenschleifen, an gebogenen Innenflächen und beim Schablonschleifen.

Das Gerät darf nur für seinen bestimmungsgemäßen Zweck verwendet werden.

Jede andere als die in dieser Anleitung erwähnte Verwendung gilt als Missbrauch. Der Bediener, nicht der Hersteller, ist für jegliche Schäden oder Verletzungen aufgrund missbräuchlicher Verwendung haftbar. Der Hersteller ist weder für am Gerät vorgenommene Modifikationen noch für aus solchen Veränderungen resultierende Schäden haftbar.

**Hinweis:** Nicht für gewerblichen Gebrauch geeignet.

## Auspacken des Gerätes

- Packen Sie Ihr Gerät vorsichtig aus und überprüfen Sie es. Machen Sie sich vollständig mit allen seinen Eigenschaften und Funktionen vertraut.
- Vergewissern Sie sich, dass sämtliche Teile des Gerätes vorhanden und in einwandfreiem Zustand sind. Sollten Teile fehlen oder beschädigt sein, lassen Sie diese ersetzen, bevor Sie das Gerät verwenden.

## Vor Inbetriebnahme

⚠️ **WARNUNG!** Trennen Sie das Gerät stets vom Stromnetz, bevor Sie Zubehörwechsel oder Einstellungsänderungen vornehmen.

## Auswählen der richtigen Schleifblattkörnung

- Im Fachhandel sind Schleifhülsen in unterschiedlichen Körnungen erhältlich. Die gebräuchlichsten Körnungen sind grob (60er-Körnung), mittel (120er-Körnung) und fein (240er-Körnung).
- Die grobe Körnung dient zum groben Abschleifen, die mittlere zum Glätten der Oberfläche und die feine für die Endbearbeitung.
- Verwenden Sie stets qualitativ hochwertigere Schleifhülsen, um bestmögliche Schleifergebnisse zu erzielen.
- Nehmen Sie stets einen Probelauf auf einem Reststück vor, um die für die jeweilige Aufgabe am besten geeignete Körnung zu bestimmen.

Falls das Werkstück nach dem Schleifen noch Spuren aufweist, bearbeiten Sie es erneut mit einer gröberen Schleifhülse, um die Spuren zu beseitigen, bevor Sie mit der ursprünglich gewählten Schleifhülse fortfahren. Stattdessen können Sie zum Entfernen der unerwünschten Spuren auch eine neue Schleifhülse verwenden und dann zur Endbearbeitung auf eine feinere Körnung übergangen.

## Schleifhülse anbringen

⚠️ **WARNUNG!** Vergewissern Sie sich stets, dass das Gerät ausgeschaltet und vom Stromnetz getrennt ist, bevor Sie Schleifhülsen entfernen oder anbringen.

**Hinweis:** Verwenden Sie keine abgenutzten, beschädigten oder verstopften Schleifhülsen. Vergewissern Sie sich vor Beginn des Schleifvorganges, dass sämtliche Fremdkörper wie Nägel und Schrauben aus dem Werkstück entfernt worden sind.

⚠️ **WARNUNG!** Verwenden Sie Schleifhülsen, die zuvor zum Schleifen von Metallwerkstücken verwendet worden sind, niemals zum Bearbeiten von Holzflächen. Metallspäne könnten die Holzoberfläche verkratzen.

1. Entfernen Sie die Sechskantschraube (10) und die Walzenscheibe (11) (siehe Abb. D).
2. Nehmen Sie die Schleifwalze (15) ab.
3. Setzen Sie eine Schleifhülse (9) auf die Schleifwalze (siehe Abb. A).
4. Setzen Sie die Schleifwalze wieder auf die Spindel (siehe Abb. B).
5. Bringen Sie die Walzenscheibe (siehe Abb. C) wieder an und ziehen Sie abschließend die Sicherungsschraube fest (siehe Abb. D).

**Hinweis:** Siehe Abb. I für Montage diagramm

## Staubabsaugung

⚠️ **WARNUNG!** Schließen Sie den Schleifer bei der Bearbeitung von schädlichen oder potentiell giftigen Substanzen wie z.B. Farbpigmenten, Oberflächenbeschichtungen usw. immer an eine geeignete Werkstatt-Entstaubungsanlage an. Entsorgen Sie den ggf. gefährlichen Schleifstaub stets vorschriftsmäßig.

⚠ **WARNUNG!** Treffen Sie beim Schleifen von bleihaltigen Farbanstrichen, Holz und Metallen aufgrund möglicherweise giftigen Staubs besondere Schutzmaßnahmen. Lassen Sie besondere Vorsicht walten, wenn Sie über die genaue Zusammensetzung von Oberflächenbeschichtungen im Unklaren sind. Alle sich im Arbeitsbereich aufhaltenden Personen müssen einen zum Schutz gegen den freigesetzten Giftstaub geeigneten Atemschutz tragen. Kinder und Schwangere dürfen den Arbeitsbereich nicht betreten. Bei der Arbeit nicht essen, trinken oder rauchen.

- Dieser Schleifer ist auf den Anschluss an einen Haushaltsstaubsauger oder an eine Werkstatt-Entstaubungsanlage ausgelegt. Dies gewährleistet eine wirksame Staubabsaugung.
- Schließen Sie einen geeigneten Schlauch an den im Lieferumfang enthaltenen Absaugstutzen (7) an.
- Drehen Sie den Absaugstutzen zum Abnehmen entgegen dem Uhrzeigersinn, so dass die Stifte in den Aussparungen am Absauganschluss verlaufen und nehmen Sie den Absaugstutzen anschließend ab.
- Richten Sie die Stifte zum Wiederanbringen auf den Absaugstutzen aus und fixieren Sie ihn dann durch Drehen im Uhrzeigersinn. (Abb. E)
- Es ist möglich, den tragbaren Spindelschleifer auch ohne Absaugstutzen und damit kompatibel Absaugsystem zu verwenden; der Einsatz eines mit dem Gerät kompatiblen Absaugsystems wird jedoch dringend empfohlen.

⚠ **WARNUNG!** Schließen Sie den Schleifer zum Schleifen von Metall immer an eine Werkstatt-Entstaubungsanlage an. Reinigen Sie das Gerät stets äußerst gründlich, bevor Sie vom Holzschleifen zum Metallschleifen und umgekehrt wechseln.

**Hinweis:** Ein Staubfangbeutel ist nicht im Lieferumfang dieses Gerätes enthalten, da zur wirksamen Staubabsaugung ein Absaugsystem benötigt wird. Vom Anschluss von Staubfangbeuteln eines Fremdanbieters an den Absaugstutzen wird abgeraten, da dies keine effektive Absaugmethode während des Betriebs darstellt.

## Betrieb

⚠ **WARNUNG!** Tragen Sie bei der Arbeit mit diesem Gerät stets eine Schutzbrille, ausreichenden Atem- und Gehörschutz sowie entsprechend geeignete Schutzhandschuhe.

⚠ **WARNUNG!** Die laufende Schleifhülse (9) niemals berühren!

**Hinweis:** Verwenden Sie nach Möglichkeit stets Schraubzwingen o.ä., um das Werkstück fest und sicher an der Werkbank zu fixieren.

⚠ **WARNUNG!** Warten Sie niemals, bis die Schleifhülse völlig abgenutzt ist, bevor Sie sie ersetzen. Bei Nichtbeachtung dieser vorbeugenden Maßnahmen kann es zur Beschädigung der Schleifwalze (15) kommen, wodurch die Schleifhülsen nicht richtig haften.

## Ein- und Ausschalten

⚠ **WARNUNG!** Schalten Sie das Gerät niemals ein, wenn die Schleifhülse (9) in Kontakt mit dem Werkstück oder einer anderen Oberfläche ist, da dies zum Verlust der Gerätekontrolle und infolgedessen zu schweren Verletzungen führen kann.

1. Schließen Sie das Netzkabel an die Stromversorgung an.
2. Stellen Sie den Ein-/Ausschalter (2) zum Einschalten des Gerätes auf I.
3. Stellen Sie den Ein-/Ausschalter zum Ausschalten des Gerätes auf 0.

⚠ **WARNUNG!** Warten Sie stets, bis das Gerät nicht mehr vibriert, bevor Sie es ablegen. Trennen Sie es nach Gebrauch stets von der Stromversorgung.

## Geschwindigkeit einstellen

⚠ **WARNUNG!** Montieren Sie niemals Zubehörteile an der Schleifwalze (15), die nicht mit der maximalen Leerlaufdrehzahl dieses Gerätes kompatibel sind (siehe „Technische Daten“).

- Dieser Triton-Schleifer verfügt über eine stufenlose Geschwindigkeitsregelung, so dass sich eine Vielzahl an Zubehör mit ihm einsetzen lässt und unterschiedlichste Werkstoffe und Werkstücke bearbeitet werden können.

**Hinweis:** Der Geschwindigkeitsregler (1) kann sowohl bei ein- als auch bei ausgeschaltetem Schleifer verstellt werden. Wenn der Geschwindigkeitsregler auf 1 steht, liegt die Leerlaufdrehzahl bei 1800 min<sup>-1</sup>; wenn der Geschwindigkeitsregler auf 6 steht, beträgt die maximale Leerlaufdrehzahl des Gerätes 3200 min<sup>-1</sup>.

- Stellen Sie den Geschwindigkeitsregler zur Änderung der Geschwindigkeit auf die gewünschte Einstellung.
- Es stehen sechs Geschwindigkeitsstufen zur Verfügung; dabei steht die Ziffer 1 für die niedrigste und die Ziffer 6 für die höchste Geschwindigkeit.
- Falls Sie sich hinsichtlich der für die auszuführende Aufgabe benötigten Geschwindigkeit unsicher sind, beginnen Sie mit einer niedrigen Geschwindigkeit, begutachten Sie das Schleifergebnis und erhöhen Sie dann bei Bedarf die Geschwindigkeit.

## Kantenschleifen

- Mit dem tragbaren Spindelschleifer lassen sich die Kanten diverser flacher Werkstücke effektiv abschleifen (siehe Abb. F).
- Achten Sie stets darauf, dass das Werkstück, bei Bedarf unter Verwendung von Schraubzwingen, gut fixiert ist.
- Falls erforderlich kann eine Kantenführung (16) auf den Spindelschleifer aufgesetzt werden (Abb. J). Befestigen Sie die Kantenführung in der gewünschten Position am Spindelschleifer mit Hilfe der Kantenführungsschrauben (17) (Abb. I).

1. Setzen Sie den Schleifer mit der Schleifplatte (8) vollständig auf das Werkstück, so dass die Schleifhülse (9) nach unten weilt. Achten Sie darauf, dass nach oben und unten reichlich Platz für die Hublänge der oszillierenden Spindel besteht.
2. Schalten Sie zunächst die Absauganlage (falls verwendet) und erst danach den Spindelschleifer ein.
3. Nehmen Sie besser mehrere kurze statt längerer, langsamerer Schleifdurchläufe über die Werkstückkante vor.
4. Lassen Sie den Schleifer die Arbeit verrichten und üben Sie keinen übermäßigen Druck auf das Gerät aus. Andernfalls kann es zu Schäden an Werkstück und Gerät oder Verletzungen des Bedieners kommen.

**Hinweis:** Achten Sie bei Nutzung des Gerätes mit Kantenführung darauf, dass Sie stets von der Kante oder Ecke des Werkstücks mit dem Schleifen beginnen. Führen Sie zuerst die vorderen Vorschubführung gegen das Werkstück und schieben Sie dann das Werkzeug allmählich über die Oberfläche.

## Stationäres Schleifen mit invertiertem Gerät

⚠ **WARNUNG!** Vergewissern Sie sich stets, dass das Gerät ausgeschaltet und vom Stromnetz getrennt ist, bevor Sie den Spindelschleifer auf der Werkbank montieren.

- Der tragbare Spindelschleifer lässt sich bei stabiler, umgedrehter Fixierung an der Werkbank (siehe Abb. F) zum wirksamen Abschleifen diverser Werkstückkanten einsetzen (Abb. G).

1. Legen Sie die Werkbankunterlage (14) an die Kante einer stabilen Werkbank.
2. Setzen Sie den Spindelschleifer umgedreht auf die Unterlage und fixieren Sie ihn mit den Werkbankzwingen (13). Achten Sie dabei darauf, dass der Spindelschleifer sicher an der Werkbank befestigt ist, indem Sie die Flügelschrauben der Werkbankzwingen fest anziehen.
3. Verbinden Sie bei benötigter Staubabsaugung den Schlauch der Absauganlage mit dem Absaugstutzen.

**Hinweis:** Bei invertierter stationärer Verwendung des Spindelschleifers sollte stets eine mit dem Gerät kompatible Absauganlage verwendet werden.

4. Stellen Sie die gewünschte Geschwindigkeit über den Geschwindigkeitsregler (1) ein.
5. Schalten Sie zunächst die Absauganlage (falls verwendet) und erst danach den Schleifer ein.
6. Verwenden Sie die Schleifplatte (8) als Tischplatte zum Abstützen Ihres Werkstücks.
7. Lassen Sie den Schleifer die Arbeit verrichten und üben Sie mittels Werkstück keinen übermäßigen Druck auf die Schleifhülse (9) aus. Andernfalls kann es zu Schäden an Werkstück und Gerät oder Verletzungen des Bedieners kommen.

## Hinweise zum Arbeiten mit dem Spindelschleifer

- Falls das Gerät an eine Staubabsauganlage angeschlossen ist, schalten Sie diese ein, bevor Sie den Schleifer einschalten.
- Spannen Sie das Werkstück nach Möglichkeit stets an der Werkbank ein. Sorgen Sie dafür, dass es sich während des Schleifens nicht verschieben kann.

⚠ **WARNUNG!** Übermäßiger Druck erzielt nicht schnelleren Materialabtrag, sondern führt zu vorzeitigem Verschleiß der Schleifhülse (9) und kann außerdem Schäden am Schleifer verursachen. Sowohl die Schleifleistung als auch die erzielte Oberflächengüte werden in erster Linie durch die korrekte Schleifhülsenwahl bestimmt (siehe „Schleifhülse auswählen“).

## Metall schleifen

⚠ **WARNUNG!** Beim Schleifen von Metall müssen zusätzliche Sicherheitsvorkehrungen getroffen werden.

- Schließen Sie den Schleifer immer über einen geeigneten Fehlerstromschutzschalter ans Stromnetz an.
  - Schließen Sie den Schleifer immer an eine geeignete Werkstatt-Entstaubungsanlage an.
  - Reinigen Sie das Gerät vor dem Schleifen von Metall äußerst gründlich.
- ⚠ **WARNUNG!** Holzstaubrückstände können durch heiße Metallpartikel und Funken entzündet werden. Reinigen Sie das Gerät daher stets sehr gründlich, bevor zwischen Holz- und Metallschleifen gewechselt wird.
- Eine zum Schleifen von Metall verwendete Schleifhülse sollte anschließend nicht auf Holz verwendet werden. Metallpartikel könnten Kratzer und andere Schäden an der Werkstückoberfläche verursachen.

## Zubehör

- Eine Vielzahl an Zubehör, z.B. Schleifhülsen in unterschiedlichen Körnungen, können Sie über Ihren Triton-Fachhändler beziehen. Verwenden Sie zu Ihrer eigenen Sicherheit nur Original-Triton-Zubehör. Ersatzteile sind ebenfalls über Ihren Triton-Fachhändler sowie online unter [www.toolsparsonline.com](http://www.toolsparsonline.com) erhältlich.

## Instandhaltung und Pflege

⚠ **WARNUNG!** Trennen Sie das Gerät stets von der Stromversorgung, bevor Sie Wartungs- und/oder Reinigungsarbeiten durchführen.

## Allgemeine Überprüfung

- Überprüfen Sie alle Befestigungsschrauben in regelmäßigen Abständen auf festen Sitz. Sie können sich durch Vibration mit der Zeit lösen.
- Überprüfen Sie das Netzkabel des Gerätes vor jedem Gebrauch auf Beschädigungen und Verschleiß. Reparaturen müssen durch eine zugelassene Triton-Vertragswerkstatt ausgeführt werden. Beides gilt auch für mit diesem Gerät verwendete Verlängerungskabel.

## Schmierung

- Schmieren Sie alle beweglichen Teile in regelmäßigen Abständen mit einem geeigneten Sprühschmiermittel.

## Reinigung

**⚠️ WARNUNG!** Tragen Sie bei der Reinigung dieses Gerätes stets Schutzausrüstung einschließlich Schutzbrille und Schutzhandschuhe.

- Halten Sie Ihr Gerät stets sauber. Durch Staub und Schmutz verschleien die inneren Teile schnell und die Lebensdauer des Gerätes wird verkürzt.
- Säubern Sie das Gerätegehäuse mit einer weichen Bürste oder einem trockenen Tuch.
- Reinigen Sie Kunststoffteile niemals mit Ätzmitteln. Falls eine Trockenreinigung nicht ausreichend ist, sollte ein mildes Reinigungsmittel auf einem feuchten Lappen verwendet werden.
- Das Gerät darf niemals mit Wasser in Berührung kommen.
- Vergewissern Sie sich vor dem erneuten Gebrauch, dass das Gerät wieder vollkommen trocken ist.
- Die Entlüftungsöffnungen gegebenenfalls mit sauberer, trockener Druckluft reinigen, sofern verfügbar.

## Walzenoberflächen

- Die Oberfläche der Schleifwalze (15) muss sauber und frei von Schmutz und Fremdkörpern wie z.B. Haaren, Fasern, Sand usw. gehalten werden.
- Die Oberfläche der Schleifwalze muss in gutem Zustand sein, um Zuberheiten ausreichend Halt bieten zu können.
- Schleifwalzen unterliegen besonders bei intensivem Gebrauch der Abnutzung, so dass sie mit der Zeit an Durchmesser und somit an Haltekraft verlieren können.

**Hinweis:** Die Schleifwalze(n) dieses Gerätes ist/sind nicht durch die Garantie abgedeckt. Ersatzschleifwalzen können über einen zugelassenen Triton-Kundendienst bezogen werden.

## Absaugstutzen reinigen

- Gelegentlich kann es notwendig werden, den Absaugstutzen und Staubkanal zu reinigen oder von Verstopfungen zu befreien.
1. Nehmen Sie für die Reinigung von Absaugstutzen und Staubkanal zunächst die Schleifwalze (15) ab (siehe „Schleifhülse anbringen“).
  2. Lösen Sie mit einem Schraubendreher (nicht mitgeliefert) die Schrauben an der Schleifplatte (8) und nehmen Sie die Schrauben und die Schleifplatte ab. Achten Sie dabei darauf, dass die Unterlegscheiben an den Schraubenlöchern unter der Schleifplatte (siehe Abb. H) nicht verloren gehen.
  3. Nehmen Sie die Metallplatte von der Schleifplatte ab, so dass der Staubkanal zugänglich gemacht wird (siehe Abb. I).
  4. Säubern Sie den innenliegenden Kanal, den Absaugstutzen und den Hohlraum beim Antriebsriemen mit einem Pinsel, gefolgt von Druckluft.
  5. Setzen Sie nach der gründlichen Reinigung die Schleifplatte wieder auf und ziehen Sie die Schrauben wieder an.
  6. Bringen Sie anschließend die Schleifwalze wieder an.

**⚠️ WARNUNG!** Vergewissern Sie sich nach der Reinigung und vor einem erneuten Einsatz des Spindelschleifers, dass sich alle Unterlegscheiben, Schrauben und Stifte wieder an Ort und Stelle befinden und ordnungsgemäß angezogen sind. Falls übermäßige Schwingungen oder ungewöhnliche, nicht erwartungsgemäße Geräusche vom Gerät ausgehen, stellen Sie seinen Betrieb sofort ein und trennen Sie es vom Stromnetz. Führen Sie das Reinigungsverfahren erneut durch, um sicherzustellen, dass alle Teile wieder ordnungsgemäß eingesetzt wurden. Falls Vibrationen und Geräusche weiterhin auftreten, wenden Sie sich an einen entsprechend qualifizierten Triton-Kundendiensttechniker.

## Lagerung

- Gerät samt Zubehör nach Gebrauch im Gerätekoffer an einem sicheren, trockenen Ort außerhalb der Reichweite von Kindern lagern.

## Kontakt

Informationen zu Reparatur- und Kundendiensten erhalten Sie unter der Rufnummer (+44) 1935/382222.

Webseite: [tritontools.com/de-DE/Support](http://tritontools.com/de-DE/Support)

### GB-Postanschrift:

Toolstream Ltd.  
Boundary Way  
Lufton Trading Estate  
Yeovil, Somerset  
BA22 8HZ  
Großbritannien

### EU-Postanschrift:

Toolstream B.V.  
De Keten  
00004  
5651 GJ  
Eindhoven, Niederlande

## Entsorgung

Beachten Sie bei der Entsorgung von defekten und nicht mehr reparablen Elektrowerkzeugen die geltenden Vorschriften und Gesetze.

- Elektrowerkzeuge und andere elektrische und elektronische Altgeräte nicht über den Hausmüll entsorgen.
- Lassen Sie sich von der zuständigen Behörde bezüglich der ordnungsgemäßen Entsorgung von Elektrowerkzeugen beraten.

# Fehlerbehebung

Störung	Mögliche Ursache	Empfohlene Abhilfe
Gerät läuft bei Betätigung des Ein-/Ausschalters (2) nicht an	Keine Stromversorgung	Stromversorgung überprüfen
	Ein-/Ausschalter defekt	Ein-/Ausschalter durch eine zugelassene Triton-Vertragswerkstatt ersetzen lassen
Motorausfall, Leistungsabfall und Funken und/oder Brandgeruch	Kohlebürsten abgenutzt	Kohlebürsten durch eine zugelassene Triton-Vertragswerkstatt ersetzen lassen
Trotz laufenden Motors keine Schleifleistung bei Betätigung des Ein-/Ausschalters (2)	Getriebe greift nicht	An zugelassene Triton-Vertragswerkstatt wenden
Langsamer Materialabtrag	Schleifhülse (9) zu fein oder abgenutzt	Neue Schleifhülse mit größerer Körnung anbringen
	Geschwindigkeit zu niedrig eingestellt	Geschwindigkeit erhöhen
Nach Schleifvorgang Kratzer auf Werkstück	Schleifhülse zu grob	Neue Schleifhülse mit feinerer Körnung anbringen
	Nicht ausreichend Material abgetragen	Schleifvorgang fortsetzen
Brandspuren auf Werkstück	Schleifhülse nicht für Material geeignet	Geeignete Schleifhülse anbringen
	Geschwindigkeit zu hoch eingestellt	Geschwindigkeit verringern
	Zuviel Druck auf Schleifer angewendet	Weniger Druck auf laufenden Schleifer anwenden
Übermäßige Staubbildung	Staubabsaugung nicht angeschlossen bzw. nicht eingeschaltet	Schlauchanschluss und ggf. Absaugstutzen (7) überprüfen und kontrollieren, dass Absauganlage eingeschaltet ist
	Staubabsaugung funktioniert nicht; Staubabsaugung verstopft	Staubabsaugung überprüfen und ggf. von Verstopfung befreien (siehe „Absaugstutzen reinigen“); falls das Problem fortbesteht, an zugelassene Triton-Vertragswerkstatt wenden

## Garantie

Zur Anmeldung Ihrer Garantie besuchen Sie bitte unsere Website [www.tritontools.com](http://www.tritontools.com)\* und tragen dort Ihre persönlichen Daten ein.

## Kaufinformation

Kaufdatum: \_\_\_/\_\_\_/\_\_\_

Modell: **TSPSP650**

Bewahren Sie bitte Ihren Beleg als Kaufnachweis auf.

Triton garantiert dem Käufer dieses Produkts, dass Triton, wenn sich Teile dieses Produkts innerhalb von 3 Jahren ab Originalkaufdatum infolge fehlerhafter Materialien oder Arbeitsausführung als defekt erweisen, das mangelhafte Teil nach eigenem Ermessen entweder kostenlos reparieren oder ersetzen wird.

Diese Garantie gilt nicht für kommerzielle Verwendung und erstreckt sich nicht auf normalen Verschleiß oder Schäden infolge von Unfall, Missbrauch oder unsachgemäßer Verwendung.

\*Bitte registrieren Sie sich innerhalb von 30 Tagen nach dem Kauf online.

Es gelten die allgemeinen Geschäftsbedingungen.

Ihre gesetzlich festgelegten Rechte werden dadurch nicht eingeschränkt.

# Traduzione delle istruzioni originali

## Introduzione

Grazie per aver acquistato questo prodotto Triton. Questo manuale contiene le informazioni necessarie per un funzionamento sicuro ed efficace di questo prodotto. Questo prodotto ha caratteristiche uniche e, anche se si ha familiarità con prodotti simili, è necessario leggere attentamente questo manuale per assicurarsi di comprendere a pieno le istruzioni. Assicurarsi che tutti gli utenti del prodotto leggano e comprendano a pieno questo manuale. Conservare le istruzioni con il prodotto per eventuali consultazioni future.

## Descrizione dei simboli

La targhetta sullo strumento può mostrare simboli. Questi rappresentano importanti informazioni sul prodotto o istruzioni sul suo utilizzo.



Usare la protezione acustica  
Indossare occhiali di protezione  
Indossare una protezione per la respirazione  
Indossare il casco



Indossare una protezione per le mani



**ATTENZIONE** - Per ridurre il rischio di lesioni, l'utente deve leggere il manuale di istruzioni



Si raccomanda/richiede un sistema di estrazione della polvere



Esclusivamente per utilizzo interno!



Scollegare sempre dalla rete elettrica durante la regolazione, la sostituzione degli accessori, la pulizia, la manutenzione e quando non in uso!



Costruzione di classe II (doppio isolamento per una protezione supplementare)



### Protezione ambientale

I rifiuti elettrici non possono essere smaltiti con i rifiuti domestici. Riciclare dove esistono strutture idonee. Verificare con le autorità locali o con il vostro rivenditore per consigli sul riciclaggio.



Conforme agli attuali standard legislativi e di sicurezza.



Attenzione!




Fumi o gas tossici!

## Abbreviazioni tecniche

V	Volt
~	Corrente alternata
A, mA	Ampere, milliampere
$n_s$	Velocità a vuoto
opm	battiti/oscillazioni al minuto
$\emptyset$	Diametro
Hz	Hertz
W, kW	Watt, Kilowatt
$\text{min}^{-1}$	Operazioni al minuto
dB(A)	Livello sonoro in decibel (A ponderato)
$\text{m/s}^2$	Metri al secondo quadrato (ampiezza della vibrazione)

## Specifiche tecniche

Numero modello	TSPSP650
Tensione	230 - 240 V~, 50/60 Hz
Potenza	650 W
Velocità a vuoto	1800 - 3200 $\text{min}^{-1}$
Oscillazioni mandrino	50-90 opm
Lunghezza corsa	6,5 mm
Lunghezza manicotto	76 mm
Diametri manicotto	$\emptyset$ 13 mm, $\emptyset$ 19 mm, $\emptyset$ 26 mm, $\emptyset$ 38 mm
Classe di protezione	
Protezione di ingresso	IP20
Lunghezza cavo di alimentazione	2 m
Dimensioni (L x l x H)	262 x 84 x 261 mm
Peso	2,2 kg
Come parte del nostro continuo sviluppo del prodotto, le specifiche di Triton prodotti possono variare senza preavviso.	
<b>Informazioni sul rumore e sulle vibrazioni</b>	
Pressione sonora $L_{pA}$	86,4 dB (A)
Potenza sonora $L_{wA}$	97,4 dB (A)
Incertezza K	3 dB (A)
Vibrazione ponderata $a_h$	4,874 $\text{m/s}^2$
Incertezza K	1,5 $\text{m/s}^2$
<b>Il livello di intensità del suono per l'operatore potrebbe superare gli 85 dB (A) rendendo necessarie misure di protezione.</b>	

⚠ **ATTENZIONE:** Indossare sempre protezioni per le orecchie, quando il livello sonoro supera i 85 dB (A) e limitare il tempo di esposizione, se necessario. Se i livelli sonori dovessero creare disagio anche con la protezione auricolare, smettere di utilizzare lo strumento immediatamente e controllare che la protezione acustica sia montata correttamente e che fornisca il giusto livello di isolamento acustico per il livello del suono prodotto dal tuo strumento.

⚠ **ATTENZIONE:** l'esposizione dell'utente alle vibrazioni dello strumento può causare la perdita del senso del tatto, intorpidimento, formicolio e riduzione della capacità di presa. Una lunga esposizione può portare ad una condizione cronica. Se necessario, limitare la durata di esposizione alle vibrazioni e utilizzare guanti anti-vibrazione. Non utilizzare l'utensile se la temperatura delle mani è al di sotto del normale, in quanto ciò aumenterà l'effetto delle vibrazioni. Utilizzare i dati forniti nelle specifiche tecniche relativi alle vibrazioni per calcolare la durata e la frequenza di funzionamento dell'utensile.

⚠ **ATTENZIONE:** l'emissione delle vibrazioni durante l'uso effettivo del dell'utensile può essere diverso dal valore totale dichiarato in quanto dipende dalle modalità in cui viene utilizzato lo strumento. Vi è la necessità di identificare le misure di sicurezza per proteggere l'operatore che si basano su una stima dell'esposizione nelle effettive condizioni d'uso (tenendo conto di tutte le parti del ciclo operativo come i tempi in cui lo strumento è spento e quando è attivo a vuoto oltre al tempo di attivazione).

Il valore totale della vibrazione dichiarato è stato misurato secondo un metodo di prova standard e può essere utilizzato per confrontare uno strumento con un altro. Il valore totale della vibrazione dichiarata può anche essere utilizzato in una valutazione preliminare dell'esposizione.

I livelli sonori nelle specifiche sono determinati seguendo gli standard internazionali. I dati rappresentano un normale utilizzo per l'utensile in condizioni di lavoro generali. Un utensile tenuto in cattive condizioni, montato in modo errato o utilizzato in maniera impropria può essere causa di un aumento dei livelli sonori e delle vibrazioni. [www.osha.europa.eu](http://www.osha.europa.eu) fornisce informazioni sui livelli sonori e delle vibrazioni nei luoghi di lavoro utili agli utenti domestici che utilizzano utensili per lunghi periodi di tempo.

## Avvertenze di sicurezza generali per utensili elettrici

⚠ **Leggere tutte le avvertenze di sicurezza, istruzioni, illustrazioni e le specifiche fornite con questo utensile elettrico.** In caso di mancata osservanza delle istruzioni elencate qui di seguito potrebbe sussistere il pericolo di scosse elettriche, incendi e/o gravi incidenti.

Conservare tutte le avvertenze e le istruzioni per riferimenti futuri.

Il termine "utensile elettrico" nelle avvertenze si riferisce all'utensile elettrico alimentato dalla rete (via cavo) o alimentato a batteria (senza cavo).

### 1) Sicurezza dell'area di lavoro

- Mantenere l'area di lavoro pulita e ben illuminata. Zone in disordine e buie favoriscono gli incidenti.
- Non utilizzare utensili elettrici in zone con atmosfere esplosive, come ad esempio in presenza di liquidi infiammabili, gas o polveri. Gli utensili elettrici creano scintille che possono dar fuoco a polveri o vapori.
- Tenere i bambini e gli spettatori lontani dalla zona di lavoro durante l'uso di un utensile elettrico. Le distrazioni possono far perdere il controllo.

### 2) Sicurezza elettrica

- Le spine dell'utensile elettrico devono corrispondere alle prese. Non modificare mai, in alcun modo, la spina. Non usare adattatori spina con utensili elettrici con messa a terra (collegamento di massa). Le spine non modificate e le prese corrispondenti alle spine minimizzeranno i rischi di folgorazione.
- Evitare il contatto del corpo con superfici collegate a terra o a massa, come tubi, radiatori, frigoriferi, etc. Il rischio di folgorazione aumenta se il tuo corpo scarica a terra.
- Non esporre i dispositivi elettrici alla pioggia o all'umidità. Se entra dell'acqua nel dispositivo elettrico, aumenterà il rischio di folgorazione.
- Non abusare del cavo elettrico. Non utilizzate mai il cavo per trasportare, tirare o scollegare il dispositivo elettrico. Tenete il cavo elettrico lontano dalle fonti di calore, da benzina, spigoli vivi o parti in movimento. I cavi danneggiati o impigliati aumentano il rischio di folgorazione.
- Quando un utensile elettrico è usato all'aperto, utilizzare una prolunga adatta all'uso esterno. Usare un cavo adatto per l'uso esterno riduce il rischio di folgorazione.
- Se non si può evitare di usare un utensile elettrico in un luogo umido, utilizzare un dispositivo di protezione a corrente residua (RCD). L'uso di un dispositivo di protezione a corrente residua (RCD) riduce il rischio di scosse elettriche.
- Quando utilizzato in Australia o in Nuova Zelanda, si raccomanda di avviare l'utensile con dispositivi di corrente residua (RCD) con una corrente differenziale nominale di 30 mA o meno.
- Utilizzare il cavo di estensione appropriato. Assicurarsi che la prolunga sia in buone condizioni. Quando usi una prolunga, assicurati di usarne una abbastanza pesante da sopportare la corrente che il tuo prodotto attirerà. Un cavo sottodimensionato causerà una caduta di tensione di linea con conseguente perdita di potenza e surriscaldamento.

### 3) Sicurezza personale

- Quando utilizzate un dispositivo elettrico, state attenti, prestate attenzione a quello che state facendo e usate il buon senso. Non utilizzate un dispositivo elettrico quando siete stanchi o sotto l'influsso di droghe, alcolici o farmaci. Un momento di distrazione durante l'uso di utensili elettrici può provocare gravi lesioni personali.
- Usare dispositivi di protezione individuali. Indossare sempre occhiali protettivi. Equipaggiamenti protettivi, come maschera antipolvere, scarpe di sicurezza antiscivolo, casco di sicurezza o protezione per l'udito utilizzati in condizioni appropriate, riducono il rischio di lesioni personali.
- Prevenzione di accensione accidentale. Assicurarsi che l'interruttore sia in posizione off prima di collegare la fonte di alimentazione e/o le batterie, quando si prende in mano o si trasporta l'attrezzo. Trasportare utensili elettrici con il dito sull'interruttore o dare potenza a utensili che hanno l'interruttore su on favorisce il verificarsi di incidenti.
- Rimuovere qualsiasi chiave di regolazione o chiave inglese prima di accendere il dispositivo elettrico. Una chiave inglese o chiave di regolazione collegata a parti rotanti dell'utensile elettrico possono causare lesioni personali.
- Non eccedere. Mantenere sempre una corretta posizione dei piedi e un corretto bilanciamento. Questo permette un migliore controllo sull'utensile elettrico in situazioni inaspettate.
- Vestirsi in modo adeguato. Non indossare abiti larghi né gioielli. Tenete capelli e indumenti lontani dai componenti in movimento. Vestiti larghi, gioielli o capelli lunghi possono essere catturati dalle parti in movimento.
- Qualora i dispositivi fossero dotati di strumenti per l'aspirazione e la raccolta delle polveri, accertatevi che tali dispositivi siano collegati e utilizzati in modo corretto. L'utilizzo di un aspirapolvere può ridurre i rischi connessi alle polveri.
- Non permettere che la familiarità acquisita in seguito a un uso frequente degli strumenti porti a un atteggiamento di noncuranza relativamente ai principi di sicurezza della strumentazione. Un'azione negligenza può causare gravi lesioni in una frazione di secondo.
- Utilizzo e cura di un elettrotensile
  - Non forzare l'elettrotensile. Utilizzate il dispositivo elettrico corretto per l'utilizzo che se ne vuole fare. L'elettrotensile corretto sarà in grado di svolgere il lavoro in modo più efficiente e sicuro nell'ambito della gamma di potenza indicata.
  - Non usare lo strumento se l'interruttore non si accende né si spegne. Gli elettrotensili con un interruttore di accensione difettoso sono pericolosi e devono essere riparati immediatamente.
  - Staccare la spina dalla presa di corrente prima di effettuare qualsiasi regolazione, sostituire gli accessori o riporre gli attrezzi a motore. Queste misure di sicurezza preventive riducono il rischio di avvio involontario.
  - Conservare l'elettrotensile fuori dalla portata dei bambini e non lasciare che venga utilizzato da persone non adeguatamente addestrate e competenti nell'uso degli elettrotensili o che non abbiano letto questo manuale di istruzioni. Gli elettrotensili diventano estremamente pericolosi nelle mani di persone non addestrate.
  - Effettuare la manutenzione degli elettrotensili e degli accessori. Controllare che non ci sia un disallineamento o un blocco delle parti in movimento, la rottura di alcune componenti e altre condizioni che possano influire sul funzionamento dell'apparecchio. In caso di danneggiamento, fare riparare lo strumento prima di riutilizzarlo. La maggior parte degli incidenti sono causati da una scarsa manutenzione.
  - Mantenere le lame pulite e affilate. Gli utensili da taglio tenuti in buone condizioni operative e con i bordi taglienti affilati sono meno soggetti a bloccarsi e più facili da controllare.
  - Utilizzare l'elettrotensile e tutti i componenti e gli accessori in conformità con le istruzioni di questo manuale e nella maniera prevista per ciascun tipo di utensile, tenendo conto delle condizioni lavorative e del compito da eseguire. L'utilizzo degli elettrotensili per fini diversi da quelli previsti rappresenta un rischio per le persone.
  - Tenere asciutte le maniglie e le impugnature, e fare in modo che siano pulite e senza olio né grasso. Le impugnature e le superfici di presa scivolose non consentono una gestione e un controllo sicuri dell'apparecchiatura in condizioni impreviste.
- Assistenza
  - Qualsiasi intervento sull'elettrotensile deve essere eseguito da personale qualificato utilizzando unicamente pezzi di ricambio compatibili e approvati. Ciò garantisce la sicurezza dell'elettrotensile.

# Sicurezza durante l'utilizzo della levigatrice

## ⚠ ATTENZIONE!

- **Tenere il dispositivo unicamente per le maniglie isolate o le superfici di impugnatura, dato che la cinghia di levigatura / il foglio di levigatura potrebbe entrare in contatto col cavo di alimentazione. Tagliare un cavo "sotto tensione" può esporre le componenti metalliche del dispositivo "sotto tensione", e potrebbe dunque trasmettere una scossa elettrica all'operatore.**
- **Usare delle pinze o altri metodi pratici per rendere sicuro il pezzo da sottoporre a lavorazione su una superficie stabile. Tenendo il pezzo in mano o appoggiato contro il corpo lo si rende instabile, e ciò potrebbe portare a una perdita di controllo del dispositivo stesso.**
- a. **Indossare SEMPRE una strumentazione protettiva adeguata, compresa una maschera di protezione dalle polveri, con classificazione minima FFP2, protezione per gli occhi e protezione per le orecchie**
- b. **Verificare che tutte le persone nelle immediate vicinanze dell'area di lavoro siano dotate della strumentazione di protezione personale adeguata**
- c. **Prestare particolare attenzione quando vengono levigati certi tipi di legno (ad esempio faggio, quercia, mogano e tek), dato che la polvere prodotta è tossica e può causare reazioni estreme**
- d. **Non usare mai per elaborare materiali contenenti amianto. Rivolgersi a un professionista qualificato, qualora non si sappia se un oggetto contiene amianto**
- e. **NON levigare magnesio o leghe contenenti un'elevata percentuale di magnesio**
- f. **Fare attenzione alle finiture di vernice o ai rivestimenti che avrebbero potuto essere applicati al materiale in fase di levigatura. Molti trattamenti possono causare polveri tossiche o comunque dannose. Qualora si stia lavorando su un edificio costruito prima del 1960 c'è un'alta possibilità di trovarsi a contatto con vernici a base di piombo**
- g. **La polvere prodotta in fase di levigatura di vernici basate su piombo è particolarmente pericolosa per i bambini, per le donne incinte e per le persone con un'elevata pressione sanguigna. NON permettere che questa polvere si avvicini all'area di lavoro, anche se indossano una strumentazione protettiva personale**
- h. **Ove possibile, servirsi di un sistema di estrazione delle polveri per controllare le polveri e gli sprechi**
- i. **Fare in particolar modo attenzione quando viene usata una macchina sia per la levigatura del legno che dei metalli. Le scintille generate dal metallo possono facilmente incendiare la polvere prodotta dal legno. Pulire SEMPRE completamente la macchina per ridurre il rischio di incendio.**
- j. **Svuotare il sacco o il contenitore della polvere (ove possibile) frequentemente in fase di utilizzo, prima di fare pause nonché dopo il completamento dell'operazione di levigatura. La polvere potrebbe causare un rischio di esplosione. NON lanciare la polvere in fiamme libere. Si potrebbe verificare una combustione spontanea quando le particelle di olio o di polvere entrano in contatto con le particelle di polvere. Smaltere i materiali con attenzione e in conformità con le leggi e le normative locali.**
- k. **Le superfici di lavoro e la carta per levigatura si possono surriscaldare molto in fase di utilizzo. In caso vi siano prove di bruciatura (fumo o cenere), dalla superficie di lavoro, smettere e lasciar raffreddare il materiale. NON toccare la superficie di lavoro o la carta da levigatura fino a che non si saranno raffreddate**
- l. **NON toccare la carta da levigatura**
- m. **SPEGNERE sempre prima di appoggiare lo strumento a terra**
- n. **NON usare per operazioni di levigatura umida. I liquidi che entrano nell'alloggiamento del motore possono causare gravi scosse elettriche**
- o. **SCOLLEGARE sempre la levigatrice dalla presa di corrente prima di cambiare o sostituire la carta da levigatura**
- p. **Anche attenendosi alle istruzioni non sarà comunque possibile eliminare tutti i fattori di rischio residuo. In caso di dubbi su come usare il dispositivo, non usarlo.**

## Familiarizzazione con il prodotto

1. Regolatore di velocità
2. Interruttore ON/OFF
3. Fori di fissaggio per montaggio su banco
4. Ventole motore
5. Fori del bordo guida
6. Cavo di alimentazione
7. Adattatore porta di estrazione (rimovibile)
8. Base di levigatura
9. Manicotto di levigatura
10. Bullone di blocco
11. Rondella del tamburo
12. Impugnatura in gomma
13. Morse per montaggio su banco
14. Tappetino per montaggio su banco
15. Tamburo per manicotti di levigatura

16. Bordo guida
17. Viti bordo guida (2)
18. Manicotti/tamburi di levigatura di ricambio

## Uso previsto

La levigatrice a tamburo portatile compatta per progetti di levigatura di lieve entità su bordi, curve interne o modelli. Può essere manuale o montata su banco.

Deve essere utilizzato SOLO per lo scopo previsto. Qualsiasi uso diverso da quelli menzionati in questo manuale sarà considerato un caso di uso improprio. L'utente, e non il produttore, sarà responsabile per eventuali danni o lesioni derivanti da tali casi di uso improprio. Il produttore non sarà responsabile per eventuali modifiche apportate allo strumento né per eventuali danni derivanti da tali modifiche.

**Nota:** Non è destinato all'uso commerciale.

## Disimballaggio dell'utensile

- Disimballare e ispezionare l'utensile. Familiarizzarsi completamente con tutte le sue caratteristiche e funzioni
- Verificare che tutte le componenti del dispositivo siano presenti e in buone condizioni. Qualora eventuali componenti siano mancanti o danneggiati, provvedere alla sostituzione delle stesse prima di iniziare a usare il dispositivo

## Prima dell'uso

⚠ **AVVERTENZA:** Verificare che il dispositivo sia scollegato dalla presa di corrente prima di fissare o sostituire eventuali accessori o eseguire eventuali regolazioni.

## Selezionare il manicotto di levigatura adatto

- I manicotti di levigatura sono disponibili in un'ampia gamma di modelli: grana grossa (60, media (120) e fine (240).
- Usare una grana grossa per finiture grezze, una media per perfezionare il lavoro e fine per completare il lavoro
- Usare sempre manicotti di levigatura di buona qualità per ottimizzare la qualità del lavoro
- Consigliamo di fare una prova su un pezzo di scarto per determinare i gradi ottimali di carta da levigatura per eseguire un determinato lavoro. Qualora alla fine del lavoro vi siano ancora segni, provare a tornare a una grana più grossa e levigare i punti più delicati prima di tornare alla grana prescelta; in alternativa provare a usare un nuovo foglio di carta da levigatura per eliminare i segni indesiderati prima di passare a una grana più fine e completare il lavoro.

## Inserimento di un manicotto di levigatura

⚠ **AVVERTENZA:** Verificare SEMPRE che il dispositivo sia spento e scollegato dalla sorgente di alimentazione prima di installare o rimuovere manicotti di levigatura.

**Nota:** Non continuare a usare manicotti di levigatura usurati, rotti o consumati. Verificare che gli oggetti estranei, quali ad esempio chiodi e viti siano rimossi dal pezzo da sottoporre a lavorazione prima di metterli al lavoro.

⚠ **AVVERTENZA:** Non usare manicotti di levigatura su legno se prima sono stati usati su metallo. Questa operazione potrebbe causare imperfezioni sulla superficie in legno.

1. Rimuovere il bullone di blocco (10) e la rondella del tamburo (11) (D)
2. Rimuovere il tamburo del manicotto di levigatura (15)
3. Far scivolare il manicotto di levigatura (9) sul tamburo (A)
4. Riposizionare il tamburo sulla levigatrice (B)
5. Riposizionare la rondella del tamburo (C) e stringere il bullone di blocco (D)

**Nota:** Vedi il diagramma di montaggio nella Fig. 1

## Estrazione della polvere

⚠ **AVVERTENZA:** Collegare sempre la levigatrice a un aspirapolvere o a un sistema di aspirazione polveri da laboratorio se la polvere della levigatura contiene sostanze dannose, ad esempio particelle da vernice secca, rivestimenti, ecc. Smaltere sempre le polveri dannose conformemente alle leggi e alle normative.

⚠ **AVVERTENZA:** Prestare sempre particolare attenzione alle polveri dannose e tossiche quando si levigano superfici verniciate a base di piombo, legno e metalli, in particolare in caso di incertezza sulle sostanze coinvolte. Tutte le persone che accedono all'area dove indossare una maschera appositamente progettata per la protezione da polveri tossiche e fumi. I bambini e le donne incinte NON DEVONO accedere all'area di lavoro. NON mangiare, bere o fumare nell'area di lavoro.

- L'apparecchiatura è stata progettata per essere collegata a un aspirapolvere o a un sistema di estrazione delle polveri da officina. Questo è il metodo preferibile e più efficace per l'estrazione della polvere
- Collegare un tubo aspiratore adeguato all'adattatore della porta di estrazione della polvere (7)
- Rimuovi l'adattatore della porta di estrazione della polvere: ruotare in senso antiorario di modo che i pin siano allineati con la dentellatura della porta di estrazione della polvere e rimuoverlo



- Sostituire l'adattatore della porta di estrazione della polvere: inserire con i pin allineati con la porta di estrazione della polvere e ruotare l'adattatore in senso orario per bloccarlo in posizione (E)
- La levigatrice a tamburo può essere utilizzata senza adattatore per la porta di estrazione della polvere ed è compatibile con sistemi di estrazione della polvere per officina; si raccomanda, ad ogni modo, è sempre raccomandabile utilizzare un sistema di estrazione della polvere compatibile

**⚠ ATTENZIONE:** Durante la levigatura dei metalli, utilizzare un sistema di estrazione della polvere adatto. Pulire sempre l'utensile **COMPLETAMENTE** quando si passa dalla levigatura di legno alla levigatura di metallo, e viceversa.

**NB:** Questo utensile non viene fornito con un sacco per la polvere, in quanto necessita di un sistema di estrazione più efficiente. L'utilizzo di sacchi per la polvere di parti terze non è il metodo più efficace e raccomandato.

## Funzionamento

**⚠ AVVERTENZA:** Indossare **SEMPRE** la protezione per gli occhi, protezioni per il sistema respiratorio e l'udito e anche quanti adatti quando si utilizza questo strumento.

**⚠ AVVERTENZA:** Non toccare il manico di levigatura in movimento (9)

**Nota:** Usare sempre morsetti per fissare il pezzo da sottoporre a lavorazione al banco, ove possibile.

**⚠ AVVERTENZA:** Non lasciare MAI che la carta da levigatura si consumi completamente prima di sostituirla. Il mancato rispetto di queste misure precauzionali può portare a danni al tamburo del manico di levigatura (15) e il manico di levigatura non si posizionerà correttamente.

## Accensione e spegnimento

**⚠ AVVERTENZA:** Non accendere mai la levigatrice quando il manico di levigatura (9) è a contatto col pezzo da sottoporre a lavorazione o qualsiasi altra superficie, dato che ciò potrebbe far perdere all'operatore il controllo sulla macchina, portando quindi a gravi lesioni.

1. Collegare il cavo di alimentazione alla presa di corrente
2. Premere l'interruttore On/Off (2) fino a portarlo in posizione "I", per accendere la levigatrice
3. Per spegnere la levigatrice, premere l'interruttore On/Off (2) fino a portarlo in posizione "0"

**⚠ AVVERTENZA:** Attendere sempre che l'unità abbia smosso completamente di vibrare prima di riparla. Scollegare sempre dall'alimentazione dopo l'uso

## Regolazione della velocità dell'utensile

**⚠ ATTENZIONE:** Non montare sul tamburo (15) accessori non classificati al regime massimo a vuoto di questo dispositivo (vedi "Specifiche tecniche").

Questa levigatrice Triton offre un controllo variabile della velocità che le permette di essere utilizzata con una varietà di accessori, per lavorare su una moltitudine di diversi materiali, pezzi e oggetti

**NB:** Il regolatore di velocità (1) può essere utilizzato quando la levigatrice è su ON o OFF. Quando è su "1" la velocità a vuoto sarà di 1800 min<sup>-1</sup>; quando invece sarà su "6" la velocità a vuoto massima sarà di 3200 min<sup>-1</sup>.

- Per regolare la velocità, ruotare il regolatore di velocità fino a raggiungere la funzione desiderata
- Le impostazioni di velocità vanno da 1 a 6, "1" rappresenta la velocità più bassa e "6" la velocità più alta
- In caso di dubbio sull'impostazione corretta di velocità adatta per il compito a portata di mano, iniziare con una bassa velocità, esaminare i risultati e regolare ad un valore più alto, se necessario

## Levigare bordi

- Questa levigatrice è molto efficace per la levigatura dei bordi di un'ampia varietà di pezzi da lavoro piani (F)
- Accertarsi del fatto che il pezzo sia ben assicurato e usare delle morse se necessario
- Il bordo guida (16) può essere connesso alla levigatrice, se necessario (J). Connettere il bordo guida alla levigatrice e fissarlo nella posizione desiderata con le viti del bordo guida (17) (Fig. II)

1. Posizionare la base di levigatura (8) il pezzo da lavoro e il manico di levigatura (9) a faccia in giù, assicurandosi del fatto che ci sia abbastanza spazio per la lunghezza di corsa del movimento oscillante del mandrino su e giù
2. Accendere prima il sistema di estrazione della polvere (se connesso) e accendere quindi la levigatrice
3. Effettuare passaggi multipli ma brevi sul bordo che si intende levigare
4. Lasciare che la levigatrice faccia il suo lavoro senza applicarvi una forza eccessiva, farlo potrebbe portare a un danneggiamento del pezzo o a danni personali

**NB:** Utilizzando il bordo guida, iniziare a levigare dall'angolo o il bordo del pezzo. Iniziare con la parte frontale.

## Levigazione invertita su banco

**⚠ AVVERTENZA:** Assicurarsi del fatto che l'utensile sia spento e che la spina sia stata tolta dalla presa prima di montare la levigatrice su banco.

- Questa levigatrice è molto efficace per la levigatura dei bordi di un'ampia varietà di pezzi da lavoro se montata e invertita in maniera sicura su un banco da lavoro (G)

1. Posizionare il tappetino da levigatura (14) accanto al bordo di un banco stabile
2. Posizionare la levigatrice nella posizione invertita sul tappetino e fissarla al banco utilizzando le morse per montaggio su banco (13), controllare che la levigatrice sia ben assicurata al banco stringendo i dadi ad alette sulle morse del banco di fissaggio
3. Connettere il tubo del sistema di estrazione della polvere all'adattatore della porta di estrazione della polvere (se necessario)

**NB:** si raccomanda di utilizzare un sistema di estrazione della polvere compatibile quando la levigatrice viene invertita e montata su banco.

4. Selezionare la velocità desiderata tramite il regolatore di velocità (1)
5. Accendi il sistema di estrazione della polvere (se connesso) e accendere la levigatrice
6. Utilizzare la base di levigatura (8) per stabilizzare il pezzo
7. Lasciare che la levigatrice faccia il suo lavoro senza applicarvi una forza eccessiva sul manico di levigatura (9), farlo potrebbe portare a un danneggiamento del pezzo o a danni personali

## Consigli per la levigazione

- Se il dispositivo è collegato a un sistema di estrazione delle polveri, accendere il dispositivo di estrazione prima di accendere la levigatrice. Spegnerla prima la levigatrice e poi il sistema di estrazione delle polveri

- Assicurare il pezzo da lavoro durante la levigazione, se possibile. Un pezzo non assicurato potrebbe muoversi durante la lavorazione

**⚠ AVVERTENZA:** Una pressione eccessiva non porta a una rimozione rapida del materiale, ma a un'usura prematura del manico di levigatura (9); ciò potrebbe causare danni alla macchina. Le prestazioni di levigatura e la qualità delle finiture sono dipendenti essenzialmente dalla scelta del manico di levigatura (vedi "Selezionare il manico di levigatura adatto").

## Levigatura del metallo

**⚠ AVVERTENZA:** Alcune ulteriori precauzioni devono essere adottate quando la levigatura dei metalli:

- Collegare sempre la levigatrice tramite un adeguato RCD
- Collegare sempre la levigatrice ad un sistema di estrazione della polvere da officina adatto
- Pulire l'utensile accuratamente prima di utilizzarlo per levigare il metallo

**⚠ AVVERTENZA:** Particelle di metallo caldo e scintille possono incendiare le polveri di legno residue. Pulire sempre l'utensile **COMPLETAMENTE** quando si passa dalla levigatura del legno alla levigatura dei metalli e viceversa.

- Un disco abrasivo precedentemente utilizzato per la levigatura di metallo non deve essere utilizzato su legno nuovo. Particelle metalliche residue possono portare a graffi, e danneggiare la superficie del pezzo

## Accessori

- Una gamma di accessori, tra cui dischi abrasivi a fissaggio strappo perforati a grana diversa, sono disponibili presso il vostro rivenditore Triton. Per la propria sicurezza, utilizzare solo accessori Triton originali.
- Pezzi di ricambio possono essere acquistati presso il vostro rivenditore Triton oppure online su [www.toolspareonline.com](http://www.toolspareonline.com)

## Manutenzione

**⚠ AVVERTENZA:** Scollegare **SEMPRE** dalla corrente prima di eseguire eventuali interventi di ispezione, manutenzione o pulizia.

## Ispezione generale

- Controllare a intervalli regolari che tutte le viti di fissaggio siano strette saldamente
- Ispezionare il cavo di alimentazione del dispositivo prima di ogni uso, al fine di verificare la presenza di danni o segni di usura. Le riparazioni dovrebbero essere eseguite da un centro assistenza autorizzato Triton. Questa indicazione vale anche per le prolunghe usate con questo dispositivo

## Lubrificazione

- Lubrificare leggermente tutte le componenti mobili a intervalli regolari servendosi di un lubrificante spray adeguato.

## Pulizia

- Mantenere pulito l'utensile in ogni momento. La sporcizia e la polvere causano una rapida usura delle componenti interne e riducono la durata di vita del dispositivo stesso.
- Pulire il corpo della macchina con una spazzola morbida o un panno asciutto.
- Non usare mai agenti caustici per pulire le componenti in plastica. Qualora la pulizia a secco non risulti sufficiente, consigliamo di usare un detergente delicato su un panno umido.
- L'acqua non deve mai entrare in contatto col dispositivo.
- Verificare che l'utensile sia completamente asciutto prima di utilizzarlo.
- Ove disponibile, usare aria pulita, secca e compressa tramite i fori di ventilazione (ove possibile).

## Superfici del tamburo del manicotto di levigatura

- Le superfici del tamburo del manicotto di levigatura (15) devono essere pulite, prive di polvere e sostanze estranee, come i capelli, fibre, sabbia, ecc.
- Al fine di fornire un'adeguata aderenza per gli accessori di fissaggio, le superfici del tamburo devono essere in buone condizioni.
- Quando utilizzato per lungo tempo il tamburo si consuma e il meccanismo non può più fornire la forza di adesione necessaria.

**NB:** Il tamburo del manicotto di levigatura non è coperto da garanzia. Per sostituirlo, contattare un centro assistenza autorizzato Triton.

## Pulire la porta di estrazione della polvere

- Occasionalmente potrebbe essere necessario pulire e disintasarla la porta di estrazione della polvere e il canale della polvere.
1. Pulire la porta e il canale, prima rimuovere il tamburo (15) (vedi "Inserimento di un manicotto di levigatura")
  2. Utilizzando un cacciavite (non in dotazione), rimuovere le viti nella base di levigatura (8) e rimuovere la base di levigatura. Fare attenzione a non perdere le rondelle sotto la base di levigatura per ogni foro (H)
  3. La base di levigatura, rimuovere la placca in metallo per scoprire il canale della polvere (I)
  4. Pulisci il canale, la porta della polvere e la cavità con una spazzola e aria compressa
  5. Dopo aver pulito attentamente, riposizionare la base e riavvitare le viti
  6. Riposizionare il tamburo del manicotto di levigatura

**⚠ AVVERTENZA:** Dopo aver pulito la porta di estrazione, riposizionare tutte le rondelle, le viti e i bulloni e stringere prima di riutilizzare l'utensile. Se l'utensile vibra eccessivamente o emette strani suoni, smettere di utilizzarlo e rimuovere la spina dalla presa. Rieseguire la pulizia per assicurarsi che tutte le componenti siano state riposizionate correttamente. Se le vibrazioni e i rumori dovessero ripresentarsi, consultare un centro assistenza qualificato Triton.

## Conservazione

Conservare questo utensile con cura in un luogo sicuro, asciutto e lontano dalla portata dei bambini.

## Contatti

Per consigli tecnici e per eventuali riparazioni, si prega di contattare il nostro servizio di assistenza telefonico al numero (+44) 1935 382 222

**Sito web:** [tritontools.com/it-IT/Support](http://tritontools.com/it-IT/Support)

**Indirizzo (RU):**  
Toolstream Ltd.  
Boundary Way  
Lufton Trading Estate  
Yeovil, Somerset  
BA22 8HZ, Regno Unito

**Indirizzo (UE):**  
Toolstream B.V.  
De Ketten  
00004  
5651 GJ  
Eindhoven, Paesi Bassi

## Smaltimento

Rispettare sempre le normative nazionali per lo smaltimento di elettrodomestici che non sono più funzionali e non sono atti alla riparazione.

- Non gettare utensili elettrici o apparecchiature elettriche ed elettroniche (RAEE) con i rifiuti domestici
- Contattare l'autorità locale di smaltimento rifiuti per informazioni sul modo corretto di smaltire gli utensili elettrici

# Risoluzione dei problemi

Problema	Possibile causa	Soluzione
Nessuna funzione quando viene azionato l'interruttore On/Off (2)	Assenza di alimentazione	Controllare l'alimentazione
	Interruttore On/Off difettoso	Fare sostituire l'interruttore On/Off da un centro di assistenza autorizzato Triton
Il motore soffre blocchi, perdita di prestazioni e produce scintille e/o odore di bruciato	Spazzole di carbone consumate	Sostituire le spazzole da un centro di assistenza autorizzato Triton
Nessuna azione di levigatura quando si utilizza l'interruttore On/Off (2), nonostante che il motore è in esecuzione Marcia non inserita	Marcia non inserita	Far controllare da un centro di assistenza autorizzato Triton
Rimozione lenta del materiale	Manicotto di levigatura (9) con grana troppo fina o usurato	Montare un nuovo manicotto di levigatura con grana più grossa
	Velocità utensile impostata troppo bassa	Aumentare la velocità dell'utensile
Graffi sul pezzo dopo la levigatura	Manicotto di levigatura con grana troppo grossa	Montare un nuovo manicotto di levigatura con grana più fine
	Non abbastanza materiale rimosso	Continuare la levigatura
Segni di bruciature sul pezzo in lavorazione	Manicotto di levigatura incompatibile con materiale	Montare il manicotto di levigatura corretto
	Velocità utensile impostata troppo alta	Diminuire la velocità dell'utensile
	Troppa pressione esercitata sulla levigatrice	Utilizzare meno pressione durante il movimento della macchina
Emissione di polvere eccessiva	Sistema di aspirazione non collegato o sistema di estrazione non acceso	Controllare il collegamento del tubo di aspirazione, l'adattatore della porta di estrazione della polvere (7) e verificare che il sistema di aspirazione sia acceso
	L'aspirazione della polvere non funziona; estrazione della polvere bloccata	Controllare il sistema di estrazione della polvere; sbloccare il sistema di estrazione della polvere (vedi "Pulizia della porta di estrazione della polvere"). Consultare un centro assistenza Triton se il problema dovesse persistere

## Garanzia

Per la registrazione della garanzia visitare il sito web [www.tritontools.com](http://www.tritontools.com) e inserire i propri dettagli. A meno che il proprietario non abbia specificato diversamente,

## Informazioni sull'acquisto

Data di acquisto: \_\_\_/\_\_\_/\_\_\_

Modello N.: TSPSP650

Conservare lo scontrino come prova dell'acquisto

Triton Precision Power Tools garantisce all'acquirente di questo prodotto che, se qualsiasi parte dovesse presentare difetti di materiale o di fabbricazione entro 3 ANNI dalla data di acquisto originale, Triton riparerà o sostituirà, a sua discrezione, la parte difettosa gratuitamente. Questa garanzia non si applica ad uso commerciale né si estende alla normale usura o a danni a seguito di incidenti, abuso o uso improprio dell'utensile.

Registra il tuo prodotto on-line entro 30 giorni dall'acquisto.

Vengono applicati i termini e le condizioni generali.

Ciò non pregiudica i tuoi diritti legali

# Traducción del manual original

## Introducción

Gracias por haber elegido esta herramienta Triton. Estas instrucciones contienen la información necesaria para utilizar este producto de forma segura y eficaz. Lea atentamente este manual para obtener todas las ventajas y características únicas de su nueva herramienta. Conserve este manual a mano y asegúrese de que todas las personas que utilicen esta herramienta lo hayan leído y entendido correctamente. Guarde estas instrucciones con el producto para poder consultarlas en el futuro.

## Descripción de los símbolos

Los símbolos siguientes pueden aparecer en la placa de características de su herramienta. Éstos representan información importante sobre el producto o instrucciones relativas a su uso.



Lleve protección auditiva  
Lleve protección ocular  
Lleve protección respiratoria  
Lleve un casco de seguridad



Lleve guantes de seguridad



Lea el manual de instrucciones



Se recomienda/necesita utilizar un sistema de extracción de polvo



¡Solamente para uso interior!



Desconecte siempre la herramienta de la toma eléctrica antes de realizar cualquier tarea de mantenimiento, sustituir accesorios o cuando no la esté utilizando.



Protección clase II (doble aislamiento para mayor protección)



**Protección medioambiental**  
Los productos eléctricos usados no se deben mezclar con la basura convencional. Están sujetos al principio de recogida selectiva. Solicite información a su ayuntamiento o distribuidor sobre las opciones de reciclaje.



Conforme a las normas de seguridad y la legislación correspondiente.



¡Peligro!



¡Peligro! Gases o humo tóxico

## Abreviaturas de términos técnicos

V	Volto/s
~	Corriente alterna
A, mA	Amperio/s, miliamperio/s
n <sub>0</sub>	Velocidad sin carga
opm	Órbitas/oscilaciones por minuto
Ø	Diámetro
Hz	Hercio/s
W, kW	Vatio/s, kilovatio/s
/min o min <sup>-1</sup>	Revoluciones o carreras por minuto (rpm)
dB(A)	Nivel de decibelios (Ponderada A)
m/s <sup>2</sup>	Metros cuadrados por segundo (vibración)

## Características técnicas

<b>Modelo:</b>	TSPSP650
<b>Tensión:</b>	230 – 240 V~, 50/60 Hz
<b>Potencia:</b>	650 W
<b>Velocidad sin carga:</b>	1.800 – 3.200 min <sup>-1</sup>
<b>Oscilaciones por minuto:</b>	50 - 90 opm
<b>Longitud de carrera:</b>	6,5 mm
<b>Longitud del rodillo de lija:</b>	76 mm
<b>Diámetro del rodillo de lija:</b>	Ø13 mm, Ø19 mm, Ø26 mm, Ø38 mm
<b>Clase de protección:</b>	
<b>Grado de protección:</b>	IP20
<b>Longitud del cable de alimentación:</b>	2 m
<b>Dimensiones (L x An x A) :</b>	262 x 84 x 261 mm
<b>Peso:</b>	2,2 kg
Como parte de nuestra política de desarrollo de productos, los datos técnicos de los productos Triton pueden cambiar sin previo aviso.	
<b>Información sobre ruido y vibración:</b>	
<b>Presión acústica L<sub>wa</sub>:</b>	86,4 dB(A)
<b>Potencia acústica L<sub>wa</sub>:</b>	97,4 dB(A)
<b>Incertidumbre K:</b>	3 dB
<b>Vibración ponderada a<sub>w</sub>:</b>	4,874 m/s <sup>2</sup>
<b>Incertidumbre K:</b>	1,5 m/s <sup>2</sup>
El nivel de intensidad sonora para el usuario puede exceder de 85 dB(A). Se recomienda usar medidas de protección sonora.	

⚠ **ADVERTENCIA:** Utilice siempre protección auditiva cuando el nivel ruido exceda 85 dB(A) o cuando esté expuesto durante largos periodos de tiempo. Si por algún motivo nota algún tipo de molestia auditiva incluso llevando orejeras de protección, detenga inmediatamente la herramienta y compruebe que las orejeras de protección estén colocadas adecuadamente.

⚠ **ADVERTENCIA:** La exposición a la vibración durante la utilización de una herramienta puede provocar pérdida del sentido del tacto, entumecimiento, hormigueo y disminución de la capacidad de sujeción. La exposición durante largos periodos de tiempo puede provocar enfermedad crónica. Si es necesario, limite el tiempo de exposición a la vibración y utilice guantes anti-vibración. No utilice la herramienta cuando sus manos estén muy frías, las vibraciones tendrán un mayor efecto. Utilice los datos técnicos de su herramienta para evaluar la exposición y medición de los niveles de ruido y vibración.

⚠ **ADVERTENCIA:** Las vibraciones producidas durante el uso de esta herramienta pueden ser diferentes al valor total declarado y pueden variar dependiendo del tipo de método de uso de esta herramienta. Por lo tanto, será necesario aplicar todas las medidas de seguridad apropiadas para proteger al usuario durante el uso de esta herramienta. Habrá que tener en cuenta todos los aspectos relacionados con el ciclo de trabajo (apagado de la herramienta, funcionamiento sin carga y tiempo de accionamiento).

El nivel total de vibraciones producidas ha sido medido mediante un proceso estándar y podrá evaluarse tomando como referencia los datos de emisión comparativos de máquinas similares. El nivel de vibración total también podrá utilizarse en una evaluación de exposición previa.

Los niveles de vibración y ruido están determinados según las directivas internacionales vigentes. Los datos técnicos se refieren al uso normal de la herramienta en condiciones normales. Una herramienta defectuosa, mal montada o desgastada puede incrementar los niveles de ruido y vibración. Para más información sobre ruido y vibración, puede visitar la página web [www.osha.europa.eu](http://www.osha.europa.eu)

## Instrucciones de seguridad para herramientas eléctricas

⚠ **ADVERTENCIA:** Lea siempre cuidadosamente todas las advertencias e instrucciones de seguridad para utilizar este producto de forma segura. No seguir estas instrucciones podría causar una descarga eléctrica, incendio y/o lesiones graves.

Conserve estas instrucciones para futuras referencias.

El término "herramienta eléctrica" descrito en este manual se refiere a una herramienta alimentada por conexión eléctrica mediante cable (herramienta alámbrica) o una herramienta eléctrica alimentada por batería (herramienta inalámbrica).

### 1) Seguridad en el área de trabajo

- Mantenga el área de trabajo limpia y bien iluminada. Las áreas desordenadas y poco iluminadas pueden provocar accidentes.
- No utilice herramientas eléctricas en atmósferas explosivas que contengan líquidos, gases o polvos inflamables. Las herramientas eléctricas producen chispas que pueden incendiar el polvo o los vapores.
- Mantenga alejados a los niños y personas que se encuentren a su alrededor mientras esté trabajando con una herramienta eléctrica. Las distracciones pueden hacerle perder el control de la herramienta.

### 2) Seguridad eléctrica

- El enchufe de su herramienta eléctrica debe coincidir con la toma de corriente. No modifique nunca el enchufe. No utilice enchufes de adaptadores con herramientas eléctricas conectadas a tierra (puestas a tierra). Los enchufes si modificar y el uso de líneas de corrientes adecuadas reducirán el riesgo de descargas eléctricas.
- Evite el contacto con materiales conductores tales como tuberías, radiadores, estufas y refrigeradores. El riesgo de descarga eléctrica se incrementa si su cuerpo está expuesto a materiales conductores.
- No utilice las herramientas eléctricas bajo la lluvia o en zonas extremadamente húmedas. Si entra agua en la herramienta eléctrica, aumentará el riesgo de descarga eléctrica.
- No doble el cable de alimentación. Nunca utilice el cable para transportar, tirar o desenchufar la herramienta eléctrica. Mantenga el cable alejado del calor, el aceite, los bordes afilados y las piezas móviles. Los cables dañados o enredados aumentan el riesgo de descarga eléctrica.
- Use un cable de extensión adecuado para uso exterior cuando utilice la herramienta eléctrica en áreas exteriores. El uso de un cable adecuado para exteriores reducirá el riesgo de descargas eléctricas.
- Si es inevitable trabajar con una herramienta eléctrica en lugares húmedos, use un suministro protegido por un interruptor diferencial o disyuntor por corriente diferencial o residual (RCD). El uso de un RCD reduce el riesgo de descargas eléctricas.
- Cuando utilice esta herramienta en Australia o Nueva Zelanda, se recomienda conectar esta herramienta SIEMPRE una toma de corriente protegida con dispositivo de protección de corriente diferencial residual de 30 mA o inferior.
- Utilice un cable alargador adecuado. Asegúrese de que el cable alargador esté en perfectas condiciones. Asegúrese de que el cable sea lo suficientemente resistente para el nivel de corriente requerido. Un cable más fino disminuirá la tensión de corriente y provocará la pérdida de potencia y sobrecalentamiento de la herramienta.

### 3) Seguridad personal

- Manténgase alerta, fíjese en lo que está haciendo y use el sentido común cuando esté utilizando una herramienta eléctrica. No use una herramienta eléctrica cuando esté cansado o bajo la influencia de drogas, alcohol o medicamentos. Distraerse mientras esté utilizando una herramienta eléctrica puede provocar lesiones corporales graves.
  - Use equipo de protección personal. Use siempre protección ocular. El uso de dispositivos de seguridad personal (mascarillas antipolvo, calzado de seguridad antideshisente, casco de protección y protección auditiva) reducirá el riesgo de lesiones corporales.
  - Evite el arranque accidental de la herramienta. Asegúrese de que el interruptor esté en la posición de apagado antes de enchufar la herramienta. Nunca transporte herramientas con el dedo colocado en el interruptor o con el interruptor en posición de encendido.
  - Retire todas las llaves de ajuste antes de encender la herramienta. Una llave colocada sobre una parte móvil de la herramienta eléctrica puede causar lesiones graves.
  - No adopte posturas forzadas. Mantenga la postura y el equilibrio en todo momento. Esto permite un mejor control de la herramienta eléctrica en situaciones inesperadas.
  - Vístase de manera apropiada. No lleve ropa holgada ni joyas. Mantenga el cabello, la ropa y guantes lejos de las piezas en movimiento. La ropa holgada, las joyas o el cabello largo pueden quedar atrapados en las piezas en movimiento.
  - Utilice siempre un dispositivo de extracción de polvo/aspiradora y asegúrese de utilizarlos de manera apropiada. El uso de estos dispositivos reducirá los peligros relacionados con el polvo.
  - No deje que la familiaridad con el producto a base de utilizarlo repetidamente sustituya las normas de seguridad indicadas para utilizar esta herramienta. Utilizar esta herramienta de forma incorrecta puede causar daños y lesiones personales
- ### 4) Uso y mantenimiento de las herramientas eléctricas
- Nunca fuerce la herramienta eléctrica. Utilice esta herramienta eléctrica de forma adecuada. Utilice su herramienta de forma correcta para cada aplicación.
  - No use esta herramienta eléctrica cuando el interruptor de encendido/apagado esté averiado. Cualquier herramienta eléctrica que no se pueda controlar con el interruptor de encendido/apagado será peligrosa y debe ser reparada inmediatamente.
  - Desenchufe siempre la herramienta o retire la batería antes de realizar cualquier ajuste, cambiar accesorios o almacenar la herramienta. Estas medidas de seguridad preventivas evitarán el arranque accidental de su herramienta eléctrica.
  - Guarde siempre las herramientas eléctricas fuera del alcance de los niños. No permita que las personas que no estén familiarizadas con estas instrucciones utilicen la herramienta. Las herramientas eléctricas son peligrosas en manos de personas que no estén capacitadas para su uso.
  - Compruebe regularmente el funcionamiento de sus herramientas eléctricas. Asegúrese de que no haya piezas en movimiento desalineadas o trabadas, piezas rotas o cualquier otro problema que pueda afectar al funcionamiento de la herramienta. Repare siempre las piezas dañadas antes de utilizar la herramienta. Muchos accidentes son causados por herramientas eléctricas que carecen de un mantenimiento adecuado.
  - Las herramientas de corte deben estar siempre afiladas y limpias. Las herramientas de corte correctamente afiladas son menos propensas a trabarse y son más fáciles de controlar.
  - Utilice esta herramienta eléctrica y los accesorios según el manual de instrucciones y teniendo en cuenta las condiciones y el trabajo que necesite realizar. El uso de cualquier accesorio diferente a los mencionados en este manual podría ocasionar daños o lesiones graves.
  - Mantenga siempre las empuñaduras y superficies de sujeción limpias y libres de grasa. Las empuñaduras y superficies resbaladizas pueden provocar la pérdida de control de la herramienta de forma inesperada.
- ### 5) Mantenimiento y reparación
- Repare siempre su herramienta eléctrica en un servicio técnico autorizado. Utilice únicamente piezas de recambio idénticas y homologadas. Esto garantizará un funcionamiento óptimo y seguro de su herramienta eléctrica.

# Instrucciones de seguridad para lijadoras

## ⚠ ¡ADVERTENCIA!

- Sujete siempre la herramienta por las empuñaduras aisladas, la banda o el disco de lija podría entrar en contacto con el cable de alimentación. Las partes metálicas de esta herramienta que entren en contacto con un cable bajo tensión pueden provocar descargas eléctricas al usuario.
  - Sujete siempre la pieza de trabajo con abrazaderas o un tornillo de banco sobre una superficie estable. Sujetar la pieza de trabajo con la mano puede provocar la pérdida de control de la herramienta.
- a) Lleve siempre mascarara antipolvo con grado de protección mínimo FFP2, gafas de seguridad y protecciones para los oídos.
  - b) Es responsabilidad del usuario asegurarse de que otras personas que se encuentren alrededor del área de trabajo vayan equipadas con equipo de protección adecuado.
  - c) Tenga un cuidado especial al lijar maderas (haya, roble, caoba y teca), puesto que el polvo que se produzca es tóxico y puede provocar reacciones extremas en algunas personas.
  - d) **NUNCA** utilice esta herramienta con materiales que contengan asbestos. En caso de duda, consulte con una persona cualificada.
  - e) No lije magnesio ni aleaciones que contengan un alto porcentaje de magnesio.
  - f) Tenga cuidado con los acabados de pinturas/tratamientos que puedan haber sido aplicados al material que está lijando. Muchos tratamientos pueden causar polvo tóxico o dañino. Si está trabajando en un edificio construido antes de 1960, existe la posibilidad de que las pinturas contengan una base de plomo.
  - g) El polvo que produzca al lijar pinturas con base de plomo es particularmente peligroso para los niños, para las mujeres embarazadas y para las personas con una alta presión sanguínea. No permita que estas personas se acerquen al área de trabajo, incluso si llevan prendas de protección adecuadas.
  - h) Siempre que resulte posible, use un sistema de extracción de polvo por aspiración para controlar el polvo/serrín/residuos.
  - i) Tenga mucha precaución cuando use esta herramienta para lijar madera y metal. Las chispas que genera el lijado de metal pueden provocar la ignición del serrín. Limpie siempre esta herramienta para evitar el riesgo de incendio.
  - j) Vacíe regularmente la bolsa o el recipiente para el polvo, especialmente entre pausas o al acabar la tarea. El polvo puede provocar una explosión. Nunca tire el polvo en un fuego. Las partículas de aceite y agua junto con el polvo pueden generar una explosión. Deshágase siempre del polvo y otros materiales de acuerdo con la normativa de reciclaje vigente.
  - k) Las superficies de trabajo y la misma lijadora pueden calentarse mucho durante su uso. Si evidencia la presencia de quemaduras (humo o ceniza), en la superficie de trabajo, pare y deje que se enfríe el material. No toque la superficie de trabajo ni la lijadora hasta que hayan terminado de enfriarse.
  - l) No toque el disco o la banda de lija en movimiento.
  - m) Desenchufe la herramienta antes de depositarla en una superficie.
  - n) **NO utilice esta herramienta para lijado en húmedo.** El contacto del agua con la carcasa del motor puede provocar descargas eléctricas al usuario.
  - o) Desenchufe esta herramienta antes de colocar/cambiar cualquier accesorio.
  - p) Incluso cuando se esté utilizando según lo prescrito, no es posible eliminar todos los factores de riesgo residuales. Utilice esta herramienta con precaución. Si no está seguro de cómo utilizar esta herramienta de forma correcta, no la utilice.

## Características del producto

1. Selector de velocidad
2. Interruptor de encendido/apagado
3. Orificios de montaje
4. Ranuras de ventilación
5. Orificios para la guía de bordes
6. Cable de alimentación
7. Adaptador para extracción de polvo (desmontable)
8. Base
9. Rodillo de lija
10. Perilla de bloqueo
11. Arandela del tambor de lija
12. Empuñaduras engomadas
13. Abrazaderas para banco de trabajo

14. Almohadilla para montar en banco de trabajo
15. Tambor de lija
16. Guía para bordes
17. Perillas de bloqueo de la guía para bordes (2)
18. Tambores/rodillos de lija adicionales

## Aplicaciones

Lijadora de husillo esclante compacta diseñada para lijar cantos y áreas interiores, contorneando en piezas de trabajo de forma manual o sobre un banco de trabajo.

Esta herramienta SOLO debe utilizarse para el propósito para la cual ha sido diseñada. Cualquier uso distinto a los mencionados en este manual se considerará un uso incorrecto. El fabricante no se hará responsable por los daños causados debido la utilización incorrecta de esta herramienta. El fabricante no se hace responsable de ningún daño causado por la modificación de este producto.

**Nota:** No indicada para uso comercial.

## Desembalaje

- Desembale e inspeccione la herramienta con cuidado. Familiarícese con todas sus características y funciones.
- Asegúrese de que el fabricante incluya todas las piezas y compruebe que estén en buenas condiciones antes de utilizar este producto.

## Antes de usar

⚠ **ADVERTENCIA:** Asegúrese siempre de que la herramienta esté desconectada de la toma eléctrica antes de cambiar accesorios o realizar cualquier ajuste.

## Selecionar del rodillo de lija adecuado

- Existen diferentes tipos de rodillos de lija: grueso (grano 60), medio (grano 120) y fino (grano 240).
- Utilice rodillo de lija de grano grueso para acabados rugosos, grano medio para alisar y grano fino para acabados.
- Utilice siempre rodillos de lija de buena calidad para maximizar la calidad de la tarea de acabado.
- Se recomienda practicar antes en una pieza de material desechable para determinar el grano de papel de lija más adecuado. Si todavía quedan marcas en la pieza después del lijado, utilice un papel de grano más grueso y lije las marcas existentes antes de comenzar de nuevo con el papel de lija original, o utilice un rodillo de lija nuevo para eliminar las marcas indeseadas antes de pasar a un grano más fino y terminar el trabajo.

## Instalación de un rodillo de lija

⚠ **ADVERTENCIA:** Desconecte siempre la herramienta de la toma de corriente antes de instalar o retirar un rodillo de lija.

**Nota:** Nunca utilice rodillos de lija desgastados o dañados. Antes de lijar, asegúrese de que no existan restos de clavos o tornillos en la pieza de trabajo.

⚠ **ADVERTENCIA:** No utilice rodillos de lija en superficies de madera si previamente han sido utilizadas para lijar superficies metálicas, podría dañar la pieza de trabajo.

1. Retire la perilla de bloqueo (10) y la arandela del tambor de lija (11) (D).
2. Retire el tambor d elija (15).
3. Introduzca el rodillo de lija (9) en el tambor de lija (A).
4. Coloque el tambor de lija en el husillo (B).
5. Coloque la arandela del tambor de lija (C) y apriete la perilla de bloqueo (D).

**Nota:** Véase el diagrama de montaje (Fig. 1)

# Extracción de polvo

**⚠ ADVERTENCIA:** Conecte siempre la lijadora a una aspiradora doméstica o a un sistema de extracción de polvo, especialmente si el polvo del lijado contiene sustancias nocivas, como partículas de pintura antigua, barniz, revestimiento, etc. Elimine siempre el polvo nocivo según las leyes y normativas.

**⚠ ADVERTENCIA:** Tenga especial precaución con el polvo tóxico generado al lijar pinturas basadas en plomo, maderas y metales. Todas las personas cercanas al área de trabajo deberán llevar mascarón de protección adecuada. Los niños y mujeres embarazadas NO PODRÁN estar en el área de trabajo. NO coma, fume o beba cuando utilice esta herramienta.

- Esta lijadora está diseñada para conectarse a un tubo de aspiradora doméstica o a un sistema de extracción de polvo. Este es el método más adecuado y efectivo para la extracción de polvo.
- Conecte un tubo de aspiradora en el adaptador para extracción de polvo (7).
- Retirar el adaptador para extracción de polvo: Gire el adaptador en sentido antihorario hasta que las patillas estén alineadas con las ranuras del de la salida de extracción de polvo.
- Colocar el adaptador para extracción de polvo: Alinee las patillas con las ranuras del de la salida de extracción de polvo y gire el adaptador en sentido horario (E).
- Esta lijadora también puede utilizarse sin la salida de extracción de polvo aunque se recomienda utilizar siempre un sistema de extracción de polvo compatible.

**⚠ ADVERTENCIA:** Utilice siempre un sistema de aspiración conectado a la lijadora cuando lije piezas de trabajo metálicas. Limpie siempre la lijadora si previamente la ha utilizado para lijar madera y viceversa.

**Nota:** Esta herramienta no dispone de bolsa para recoger polvo. Utilice siempre un sistema de extracción de polvo compatible. No se recomienda utilizar una bolsa para recoger polvo con esta herramienta.

## Funcionamiento

**⚠ ADVERTENCIA:** Utilice siempre equipo de protección adecuado, incluido protección ocular, respiratoria y auditiva, cuando trabaje con esta herramienta.

**⚠ ADVERTENCIA:** Nunca toque el rodillo de lija en movimiento (9).

**Nota:** Siempre que sea posible, utilice siempre abrazaderas o un tornillo de banco para sujetar la pieza de trabajo.

**⚠ ADVERTENCIA:** NUNCA deje que el rodillo de lija se desgaste por completo antes de reemplazarlo. No seguir estas indicaciones podría dañar la superficie del tambor de lija (15), provocando que los rodillos de lija no se acoplen correctamente.

## Encendido y apagado

**⚠ ADVERTENCIA:** Nunca encienda la lijadora cuando el rodillo de lija (9) esté en contacto con la superficie de la pieza de trabajo. Esto podría provocar la pérdida de control de la herramienta y causar daños al usuario.

1. Enchufe el cable de alimentación en la toma de corriente.
  2. Coloque el interruptor de encendido/apagado (2) en la posición "I" para encender la lijadora.
  3. Para apagar la lijadora coloque el interruptor en la posición "O".
- ⚠ ADVERTENCIA:** Espere siempre hasta que la lijadora se detenga por completo antes de dejar la herramienta. Desenchufe la lijadora después de cada uso.

## Ajuste de velocidad

**⚠ ADVERTENCIA:** Nunca coloque accesorios en el tambor de lija (15) que no sean compatibles con la velocidad máxima sin carga de esta herramienta (ver características técnicas).

- La velocidad variable de esta herramienta le permitirá utilizar multitud de accesorios sobre diferentes tipos de materiales y piezas de trabajo.

**Nota:** El selector de velocidad (1) puede ajustarse con la lijadora encendida o en funcionamiento. Utilice el ajuste de velocidad "1" para ajustar la lijadora a la velocidad más baja (1.800 min<sup>-1</sup>). Utilice el ajuste de velocidad "6" para ajustar la lijadora a la velocidad más alta (3.200 min<sup>-1</sup>).

- Gire el selector de velocidad para ajustar la lijadora a la velocidad requerida.
- Esta herramienta dispone de 1- 6 ajustes de velocidad diferentes. El ajuste con la velocidad más alta es el número 6.
- Cuando no esté seguro de la velocidad más adecuada para la tarea a realizar, comience con la velocidad más baja, compruebe los resultados y ajuste de nuevo la velocidad hasta obtener el acabado deseado.

## Lijado de bordes y cantos

- Esta herramienta es ideal para lijar bordes y cantos en piezas de trabajo (F).
- Utilice abrazaderas cuando sea necesario y asegúrese de que la pieza de trabajo esté sujeta firmemente.
- Utilice la guía para bordes (16) cuando sea necesario (J). Coloque la guía para bordes y fíjela en la lijadora utilizando las perlas de bloqueo para la guía (17) (Fig. II).

1. Coloque la base de la lijadora (8) de forma plana sobre la pieza de trabajo con el rodillo d elija (9) mirando hacia abajo. Asegúrese de que exista espacio suficiente para que el husillo pueda moverse de arriba abajo correctamente.
2. Encienda primero el sistema de extracción de polvo (si es requerido) y a continuación la lijadora.
3. Realice varias pasadas cortas y rápidas a través del borde de la pieza de trabajo en vez de realizar pasadas largas y lentas.
4. Nunca presione excesivamente la lijadora contra la pieza de trabajo, podría dañar la lijadora, la pieza de trabajo y provocar lesiones al usuario.

**Nota:** Cuando utilice la guía para bordes, comience a lijar desde el borde de la pieza de trabajo. Utilice la guía frontal para comenzar a lijar y continúe moviendo la lijadora hacia la superficie de la pieza de trabajo.

## Montaje invertido sobre un banco de trabajo

**⚠ ADVERTENCIA:** Apague y desconecte siempre la herramienta de la toma de corriente antes de montar sobre un banco de trabajo.

- Monte la lijadora en posición invertida sobre un banco de trabajo (5) para lijar cantos y bordes de forma cómoda y efectiva.

1. Coloque la almohadilla (14) cerca del borde del banco de trabajo.
2. Coloque la lijadora en posición invertida sobre la almohadilla. Sujete la lijadora en el banco de trabajo apretando las tuercas de mariposa de las abrazaderas (13).
3. Conecte el tubo de aspiración en el adaptador para extracción de polvo (si es necesario).

**Nota:** Se recomienda utilizar un sistema de extracción de polvo cuando utilice la lijadora en modo invertido sobre un banco de trabajo.

4. Ajuste la velocidad mediante el selector de velocidad (1).
5. Encienda primero el sistema de extracción de polvo (si es requerido) y a continuación la lijadora.
6. Utilice la base (8) de la lijadora como soporte para la pieza de trabajo.
7. Nunca presione excesivamente la pieza de trabajo contra el rodillo de lija (9), podría dañar la lijadora, la pieza de trabajo y provocar lesiones al usuario.

## Consejos para lijado

- Si la herramienta está conectada a un sistema de extracción de polvo, encienda el dispositivo de extracción antes de encender la lijadora. Apague primero la lijadora y, a continuación, el sistema de extracción de polvo.

- Sujete siempre las piezas de trabajo firmemente sobre un banco de trabajo para que no se puedan mover.

**⚠ ADVERTENCIA:** Presionar excesivamente no retirará el material más rápidamente, sino que provocará un desgaste rápido del rodillo de lija (9) y podría dañar la herramienta. El rendimiento y la calidad del lijado dependen principalmente del tipo de rodillo de lija utilizado (Véase "Seleccionar el rodillo de lija con el grano adecuado").

## Lijado en metal

**⚠ ADVERTENCIA:** Tenga especial precaución cuando lije piezas de metal.

- Enchufe siempre la lijadora a un dispositivo de protección de corriente diferencial residual (RCD).

- Conecte siempre la lijadora a un sistema de extracción de polvo.
- Limpie siempre la lijadora antes de lijar metal.

**⚠ ADVERTENCIA:** Las partículas de metal caliente podrían prender los restos de virutas y aserrín acumulados en la herramienta. Limpie siempre la lijadora si previamente la ha utilizado para lijar madera y viceversa.

- Nunca utilice un rodillo de lija para lijar madera si previamente lo ha usado para lijar metal. Los restos de partículas metálicas podrían arañar y dañar la pieza de trabajo.

## Accesorios

- Existen gran variedad de accesorios, incluido rodillos de lija de varios granos disponibles en su distribuidor Triton más cercano.
- Las piezas de repuesto pueden obtenerse en su distribuidor Triton más cercano o a través de [www.toolspareonline.com](http://www.toolspareonline.com)

# Mantenimiento

**⚠ ADVERTENCIA:** Desconecte siempre la herramienta de la toma de corriente antes de realizar cualquier tarea de mantenimiento o limpieza.

## Inspección general

- Compruebe regularmente que todos los tornillos y elementos de sujeción estén bien apretados. Con el paso del tiempo pueden vibrar y aflojarse.
- Inspeccione el cable de alimentación antes de utilizar esta herramienta y asegúrese de que no esté dañado. Las reparaciones deben realizarse por un servicio técnico Triton autorizado.

## Lubricación

- Aplique regularmente spray lubricante en las piezas móviles.

## Limpieza

**⚠ ADVERTENCIA:** Utilice SIEMPRE guantes y protección ocular cuando limpie esta herramienta.

- Mantenga la herramienta siempre limpia. La suciedad y el polvo pueden dañar y reducir la vida útil su herramienta.
- Utilice un cepillo suave o un paño seco para limpiar la herramienta.
- Nunca utilice agentes cáusticos para limpiar las piezas de plástico. Se recomienda utilizar un paño humedecido con un detergente suave.
- Nunca deje que el agua entre en contacto con la herramienta.
- Asegúrese de que la herramienta esté completamente seca antes de utilizarla.
- Si dispone de un compresor de aire comprimido, sople con aire seco y limpio para limpiar los orificios de ventilación.

## Limpieza del tambor de lija

- La superficie del tambor de lija debe limpiarse periódicamente para eliminar restos de pelo, fibra y polvo.
- El tambor de lija debe estar siempre limpio para garantizar un funcionamiento óptimo.
- Con el paso del tiempo, el tambor de lija podría deteriorarse y disminuir la capacidad de sujeción.

**⚠ Nota:** Los tambores de lija de esta herramienta NO está cubierto por la garantía. Los tambores de lija deben ser reparados por un servicio técnico autorizado Triton.

## Limpieza de la salida de extracción de polvo

- Limpie regularmente la salida de extracción de polvo.
1. Retire el tambor de lija (15) antes de limpiar la salida de extracción de polvo (véase "Montaje del rodillo de lija").
  2. Utilice un destornillador (no suministrado) para retirar los tornillos de la base (8). Tenga precaución para no perder las arandelas situadas en cada de los agujeros de la base (H).
  3. Retire la placa metálica situada en la base de la lijadora para acceder al soporte de la salida de extracción de polvo (I).
  4. Limpie el soporte interno, la salida de extracción de polvo y el compartimento para la correa con un cepillo o aire comprimido.
  5. Vuelva a colocar la base de la lijadora y apriete los tonillos.
  6. Vuelva a colocar el tambor de lija.

**⚠ ADVERTENCIA:** Asegúrese de que los tornillos y las arandelas estén colocados correctamente después de limpiar la lijadora y antes de encenderla. APAGUE la lijadora y desenchúfela de la toma de corriente si vibra excesivamente o escucha algún ruido anormal. Limpie todas las piezas y sustituya las piezas que estén dañadas si es necesario. Consulte con un servicio técnico Triton si el problema persiste.

# Almacenaje

- Guarde esta herramienta y accesorios en un lugar seco y seguro fuera del alcance de los niños.

# Contacto

Servicio técnico de reparación – Tel: (+44) 1935 382 222

**Web:** [www.tritontools.com/es-ES/Support](http://www.tritontools.com/es-ES/Support)

**Dirección (RU):**  
Toolstream Ltd.  
Boundary Way  
Luffton Trading Estate  
Yeovil, Somerset  
BA22 8HZ, Reino Unido

**Dirección (UE):**  
Toolstream B.V.  
De Ketten  
00004  
5651 GJ  
Eindhoven, Países Bajos

# Reciclaje

Deshágase siempre de las herramientas eléctricas adecuadamente respetando las normas de reciclaje indicadas en su país.

- No deseche las herramientas y aparatos eléctricos junto con la basura convencional. Recíclelos siempre en puntos de reciclaje.
- Póngase en contacto con la autoridad local encargada de la gestión de residuos para obtener más información sobre cómo reciclar este tipo de herramientas correctamente.



# Solución de problemas

Problema	Causa	Solución
La herramienta no se enciende al pulsar el interruptor de encendido/apagado (2)	Falta de alimentación eléctrica	Compruebe el suministro eléctrico
	Interruptor de encendido/apagado averiado	Repare el interruptor de encendido/apagado en un servicio técnico Triton
El motor se para constantemente, pérdida de potencia, chispas y olor a quemado	Escobillas de carbón desgastadas	Sustituya las escobillas de carbón en un servicio técnico Triton
La lijadora no funciona al mover el interruptor de encendido/apagado (2) aunque el motor está funcionando	Engranajes averiados	Lleve la herramienta a un servicio técnico Triton
El material se retira lentamente	Rodillo de lija (9) dañado o desgastado	Coloque un papel nuevo o utilice un papel de grano más grueso
	Velocidad de la herramienta demasiado lenta	Incremente la velocidad
Arañazos en la pieza de trabajo después de lijar	Grano del rodillo de lija demasiado grueso	Coloque un rodillo de lija de grano más fino
	Necesita retirar más material	Continúe lijando
Marcas de quemaduras en la pieza de trabajo	Rodillo de lija incorrecto para el material que está lijando	Coloque un rodillo de lija adecuado
	Velocidad de la herramienta demasiado alta	Disminuya la velocidad
	Presión excesiva sobre la herramienta	Aplique menos presión sobre la herramienta
Polvo excesivo	Sistema de extracción de polvo desconectado o apagado	Conecte el tubo de aspiración en el adaptador para extracción de polvo (7) y asegúrese de que el sistema de extracción de polvo esté encendido
	La extracción de polvo no funciona	Compruebe el funcionamiento del sistema de extracción de polvo y límpielo correctamente (véase "Limpieza de la salida de extracción de polvo") Consulte con un servicio técnico Triton si el problema persiste.

## Garantía

Para registrar su garantía, visite nuestra página Web en [www.tritontools.com](http://www.tritontools.com)\* e introduzca sus datos personales.

## Recordatorio de compra

Fecha de compra: \_\_\_ / \_\_\_ / \_\_\_

Modelo: **TSPP650**

Número de serie: \_\_\_\_\_ (Situado en la carcasa de la herramienta)

Conserve su recibo como prueba de compra.

Las herramientas Triton disponen de un período de garantía de 3 años. Para obtener esta garantía, deberá registrar el producto online en un plazo de 30 días contados a partir de la fecha de compra. Si durante ese período apareciera algún defecto en el producto debido a la fabricación o materiales defectuosos, Triton se hará cargo de la reparación o sustitución del producto adquirido. Esta garantía no se aplica al uso comercial por desgaste de uso normal, daños accidentales o por mal uso de esta herramienta.

\* Registre el producto online en un plazo de 30 días contados a partir de la fecha de compra.

Se aplican los términos y condiciones.

Esto no afecta a sus derechos legales como consumidor.

# Tradução das instruções originais

## Introdução

Obrigado por comprar esta ferramenta Triton. Leia estas instruções, pois contêm as informações necessárias para a operação segura e eficiente desta ferramenta. Este produto possui uma série de características exclusivas e, mesmo que você tenha familiaridade com produtos similares, a leitura destas instruções permitirá que tire o máximo proveito de seu design exclusivo. Mantenha este manual sempre à mão, e assegure-se de que todos os usuários da ferramenta leram e compreenderam completamente seu conteúdo. Guarde todos os avisos e instruções para consulta futura.

## Descrição dos símbolos

A placa de identificação de sua ferramenta poderá apresentar alguns símbolos. Estes indicam informações importantes sobre o produto, ou instruções sobre seu uso.



Use proteção auricular  
Use proteção ocular  
Use proteção respiratória  
Use proteção de cabeça



Use proteção nas mãos



**AVISO** – Para reduzir o risco de lesões, o usuário deve ler o manual de instruções



Coleta de pó necessária ou recomendada.



Para utilização exclusivamente no interior!



Desconecte sempre da tomada elétrica, quando for fazer ajustes, trocar acessórios, limpar, efetuar manutenção ou quando não estiver em uso!



Construção de classe II (isolamento duplo para proteção adicional)



**Proteção ambiental**  
O descarte de produtos elétricos não deve ser feito no lixo doméstico. Faça a reciclagem em locais próprios para isso. Consulte as autoridades locais ou seu revendedor para saber como reciclar.



Cumpra a legislação e os padrões de segurança aplicáveis.



Cuidado!



Fumaça ou gases tóxicos!

## Abreviações Técnicas

V	Volts
~	Corrente alternada
A, mA	Ampere, miliampere
$n_0$	Velocidade sem carga
opm	Órbitas ou oscilações por minuto
$\emptyset$	Diâmetro
Hz	Hertz
W, kW	Watt, Quilowatt
$\text{min}^{-1}$	Operações por minuto
dB(A)	Nível sonoro, em decibéis (A ponderado)
$\text{m/s}^2$	Metros por segundo ao quadrado (magnitude de vibração)

## Especificação

Número do modelo	TSPSP650
Voltagem	230 – 240 V~, 50/60 Hz
Potência	650 W
Velocidade sem carga	1800 a 3200 $\text{min}^{-1}$
Oscilações do fuso	50 a 90 OPM
Comprimento do curso	6,5 mm
Comprimento da luva	76 mm
Diâmetros de luva	$\emptyset 13$ mm, $\emptyset 19$ mm, $\emptyset 26$ mm, $\emptyset 38$ mm
Classe de proteção	
Proteção contra entrada	IP20
Comprimento do cabo elétrico	2 m
Dimensões (C x L x A)	262 x 84 x 261 mm
Peso	2,2kg
<b>Como parte do desenvolvimento de nossos produtos, as especificações da Triton podem ser alteradas sem aviso.</b>	
<b>Informações sobre ruído e vibração</b>	
Pressão sonora $L_{PA}$	86,4 dB(A)
Potência sonora $L_{WA}$	97,4 dB(A)
Incerteza K	3 dB(A)
Vibração ponderada $a_w$	4,874 $\text{m/s}^2$
Incerteza K	1,5 $\text{m/s}^2$
<b>O nível de intensidade sonora para o operador poderá exceder 85 dB (A) e medidas de proteção auditiva são necessárias.</b>	

⚠ **AVISO:** Use sempre proteção auditiva apropriada, quando o ruído da ferramenta ultrapassar 85 dB (A), e limite o tempo de exposição ao mínimo necessário. Caso os níveis de ruído se tornem desconfortáveis, mesmo com proteção auditiva, pare imediatamente de usar a ferramenta e verifique se a proteção auditiva está ajustada de forma correta, de modo a provar a atenuação sonora correta, para o nível de ruído produzido pela ferramenta.

⚠ **AVISO:** A exposição do usuário à vibração da ferramenta pode resultar em perda de sentido do tato, dormiência, formigamento e diminuição da capacidade de agarrar. A exposição por longo prazo pode levar a uma condição crônica. Caso necessário, limite o período de tempo que fica exposto à vibração e use luvas antivibração. Não use a ferramenta com as mãos expostas a uma temperatura abaixo da temperatura normal confortável, uma vez que a vibração tem mais impacto nessa condição. Use os valores fornecidos na especificação relativa a vibrações, para calcular a duração e frequência de uso da ferramenta.

⚠ **AVISO:** A produção de vibração, durante o uso atual da ferramenta elétrica, pode diferir do valor total declarado, dependendo da forma como a ferramenta é usada. Existe a necessidade de identificar medidas de segurança para proteger o operador, as quais são baseadas em uma estimativa de exposição nas condições reais de uso (levando em consideração todas as partes do ciclo de operação, como os momentos em que a ferramenta é desligada, quando está funcionando sem carga e o tempo de acionamento).

O valor total declarado de vibração foi determinado de acordo com o método de teste padrão, e pode ser usado para se comparar uma ferramenta com outra. O valor total declarado de vibração também pode ser usado em uma avaliação preliminar de exposição.

Os níveis sonoros da especificação são determinados de acordo com padrões internacionais. Os valores consideram o uso normal da ferramenta, sob condições de trabalho normais. Uma ferramenta montada, mantida ou usada incorretamente, poderá produzir níveis de ruído, e de vibração, superiores: O site [www.oshn.europa.eu](http://www.oshn.europa.eu) fornece mais informações sobre níveis de vibração e ruído em locais de trabalho, e pode ser útil para usuários domésticos que usam ferramentas por longos períodos de tempo.

## Avisos de segurança geral da ferramenta

⚠ **AVISO:** Leia todos os avisos, instruções, ilustrações e especificações fornecidas com esta ferramenta. O descumprimento das instruções abaixo pode resultar em choque elétrico, incêndio e/ou ferimentos graves.

Guarde todos os avisos e instruções para consulta futura.

O termo "ferramenta elétrica", nos avisos, se refere a uma ferramenta que usa alimentação da rede elétrica (com cabo elétrico) ou uma bateria (sem cabo elétrico).

### 1) Segurança na área de trabalho

- Mantenha a área de trabalho limpa e bem iluminada.** Áreas desorganizadas ou escuras facilitam os acidentes.
- Não opere ferramentas elétricas em atmosferas explosivas, como na presença de líquidos, gases ou serragens inflamáveis.** Ferramentas elétricas produzem faíscas que podem inflamar a serragem ou os gases.
- Mantenha as crianças e observadores à distância, quando operar ferramentas elétricas.** Distrações podem fazer você perder o controle.

### 2) Segurança elétrica

- O plugue de tomada da ferramenta deve ser compatível com a tomada de parede.** Nunca modifique um conector, de maneira alguma. Nunca use conectores adaptadores em ferramentas elétricas com fio terra (aterradas). Conectores sem modificações e tomadas corretas reduzem o risco de choque elétrico.
- Evite o contato de seu corpo com superfícies aterradas como tubos, radiadores, extensões e refrigeradores.** Existe um risco maior de choque elétrico se o seu corpo estiver aterrado.
- Não deixe as ferramentas elétricas expostas a chuva ou condições úmidas.** A água que entra em uma ferramenta elétrica, aumenta o risco de choque elétrico.
- Não abuse do cabo elétrico.** Nunca use o cabo para carregar, puxar ou desconectar a ferramenta elétrica. Mantenha o cabo longe de calor, óleo, bordas afiadas ou peças móveis. Cabos danificados ou emaranhados aumentam o risco de choque elétrico.
- Quando operar uma ferramenta elétrica ao ar livre, use um cabo de extensão adequado para uso externo.** A utilização de um cabo adequado para uso externo reduz o risco de choque elétrico.
- Se o uso da ferramenta elétrica em local úmido for inevitável, use uma fonte de alimentação protegida com Dispositivo de Corrente Residual (DR).** O uso de um DR reduz o risco de choque elétrico.
- Quando usada na Austrália ou Nova Zelândia, recomenda-se que esta ferramenta seja SEMPRE alimentada através de um Dispositivo de Corrente Residual (DR), com corrente residual nominal de 30mA ou menos.**
- Use um cabo de extensão elétrico adequado.** Certifique-se de que o cabo de extensão está em boas condições. Quando usar um cabo de extensão, assegure-se de que suporta a corrente consumida pelo produto. Um cabo subestimado provocará uma queda na tensão de alimentação e resultará em perda de potência e superaquecimento.

### 3) Segurança pessoal

- Mantenha-se alerta, preste atenção no que faz e use de bom senso enquanto opera a ferramenta elétrica.** Não use ferramentas elétricas quando estiver cansado ou sob influência de drogas, álcool ou medicamentos. Um momento de desatenção, quando se opera uma ferramenta elétrica, pode resultar em ferimentos pessoais graves.
  - Use equipamentos de proteção individual. Use sempre proteção ocular.** Equipamentos de proteção como máscara respiratória, calçados de proteção antiderrapantes, capacete ou protetores auditivos, usados de acordo com as condições apropriadas, reduzem a ocorrência de ferimentos.
  - Evite partidas não intencionais. Certifique-se de que o interruptor esteja na posição desligada, antes de conectar a ferramenta à fonte de alimentação e/ou bateria, quando estiver transportando a ferramenta.** Transportar ferramentas elétricas com seu dedo no interruptor ou energizar ferramentas elétricas com o interruptor na posição ligada, propicia acidentes.
  - Remova todas as chaves ou ferramentas de trabalho, antes de ligar a ferramenta elétrica.** Uma chave deixada em uma peça rotativa da ferramenta elétrica poderá resultar em ferimentos.
  - Não se estique demais. Mantenha sempre o equilíbrio e os pés em local firme.** Isto permite um melhor controle da ferramenta em situações inesperadas.
  - Vista-se apropriadamente. Não use joias, nem roupas largas.** Mantenha cabelos e roupas longe das peças móveis. Roupas largas, joias e cabelos longos podem ficar presos nas peças móveis.
  - Se for utilizar dispositivos para a aspiração e coleta de pó, assegure-se de que estejam conectados e sejam usados corretamente.** O uso da coleta de pó pode reduzir os riscos associados à exposição ao pó.
  - Não deixe que a familiaridade adquirida com o uso da ferramenta o torne complacente e ignore os princípios de segurança da ferramenta.** Uma ação descuidada pode causar ferimentos sérios, em uma fração de segundo.
- ### 4) Uso e cuidados com a ferramenta elétrica
- Não force a ferramenta elétrica.** Use a ferramenta correta para sua aplicação. A ferramenta correta fará o trabalho melhor e com mais segurança, com a produtividade para a qual foi projetada.
  - Não use a ferramenta elétrica se o interruptor liga/desliga não estiver funcionando.** Qualquer ferramenta que não puder ser controlada com o interruptor liga/desliga é perigosa e deve ser consertada.
  - Desconecte o conector de tomada da rede elétrica e/ou remova a bateria da ferramenta, antes de realizar quaisquer ajustes, trocar acessórios ou de guardá-la.** Estas medidas de segurança preventivas reduzem o risco de se ligar a ferramenta por acidente.
  - Guarde a ferramenta elétrica fora do alcance de crianças, quando não estiver em uso, e não permita que pessoas não familiarizadas com a ferramenta, e com estas instruções, a operem.** Ferramentas elétricas são perigosas nas mãos de pessoas não treinadas.
  - Preservação da ferramenta elétrica e acessórios.** Verifique o alinhamento ou emperreamento das peças móveis, se existem peças quebradas ou outra condição que possa afetar a operação da ferramenta. Se a ferramenta estiver danificada, providencie o conserto, antes de usá-la. Muitos acidentes são causados por ferramentas mal conservadas.
  - Mantenha as ferramentas de corte limpas e afiadas.** Ferramentas de corte com bordas afiadas, quando mantidas corretamente, são menos propensas a emperreamentos e mais fáceis de controlar.
  - Use a ferramenta elétrica, seus acessórios e outros elementos de acordo com estas instruções, considerando as condições de trabalho e o serviço a ser executado.** O uso da ferramenta para operações diferentes daquelas para as quais foi projetada pode resultar em uma situação de risco.
  - Mantenha as empunhaduras secas, limpas e livres de óleo e graxa.** Empunhaduras escorregadias não são seguras para o manuseamento e controle da ferramenta em situações inesperadas.
  - Serviço**

- Entregue sua ferramenta para reparos a pessoal técnico qualificado, que use apenas peças de reposição originais.** Isto garantirá que a ferramenta continuará oferecendo segurança.

# Segurança no uso de lixadeiras

## ⚠️ AVISO:

- **Segure a ferramenta apenas pelas empunhaduras e superfícies aderentes isoladas, uma vez que a lixa poderá tocar no cabo da ferramenta. O corte de um cabo eletrificado pode eletrificar as partes metálicas da ferramenta, provocando um choque elétrico no operador.**
- **Use uma morsa ou outra forma prática de prender a peça de trabalho a uma bancada firme. Segurar a peça de trabalho com a mão ou contra o corpo é um arranjo instável que pode levar a perda de controle.**
- a) **Use SEMPRE o equipamento de proteção individual apropriado, incluindo uma máscara contra pó com classificação mínima de FFP2, proteção ocular e auditiva.**
- b) **Assegure-se de que todas as pessoas próximas ao local de trabalho também estão usando equipamento de proteção individual adequado.**
- c)  **Tome um cuidado especial quando lixar madeiras (Tais como faia, carvalho, mogno e teca). A poeira produzida é tóxica e pode causar reações extremas.**
- d) **NUNCA use para processar materiais que contenham amianto. Consulte um profissional qualificado, caso não esteja certo se um determinado material contém amianto.**
- e) **NÃO lixe magnésio ou ligas que contenham alto teor de magnésio.**
- f) **Conheça os acabamentos de pintura e tratamentos que podem ter sido aplicados ao material sendo lixado. Muito tratamentos criam poeiras tóxicas, ou prejudiciais à saúde. Caso esteja trabalhando em uma construção feita antes de 1960, existe uma chance maior de encontrar tintas à base de chumbo.**
- g) **A poeira produzida quando se lixam tintas à base de chumbo é particularmente prejudicial para crianças, mulheres grávidas e pessoas com pressão alta. NÃO permita que essas pessoas fiquem perto do local de trabalho, mesmo que estejam usando o equipamento de proteção individual correto.**
- h) **Sempre que possível, use um sistema de aspiração de pó para controlar o pó e os resíduos.**
- i)  **Tome cuidado especialmente quando usar uma ferramenta para lixamento de metal e madeira. As centelhas do metal podem incendiar a serragem da madeira com facilidade. Limpe SEMPRE sua ferramenta completamente, para reduzir o risco de incêndio.**
- j) **Evazie o coletor ou recipiente (onde aplicável) de pó com frequência, durante a operação da ferramenta, antes das paradas e após o término do lixamento. A serragem pode se tornar um risco de explosão. NÃO atire o pó resultante do lixamento em fogo aberto. Pode ocorrer combustão espontânea, quando partículas de óleo ou água entram em contato com partículas de poeira. Descarte os materiais residuais com cuidado e de acordo com as leis e regulamentos locais.**
- k) **As superfícies de trabalho e lixas poderão se tornar muito quentes durante a operação. Se surgirem sinais de fogo (fumaça ou cinza), na superfície de trabalho, pare e deixe o material esfriar. NÃO toque a superfície de trabalho, ou a lixa, até que tenham tido tempo de esfriar.**
- l) **NÃO toque a lixa em movimento.**
- m) **Desligue SEMPRE a lixadeira quando for colocá-la na bancada.**
- n) **NÃO use em lixamento de materiais úmidos. Os líquidos que entram na carcaça do motor poderão provocar fortes choques elétricos.**
- o) **Desconecte SEMPRE a lixadeira da tomada, antes de trocar a lixa.**
- p) **Mesmo quando a ferramenta é usada conforme prescrito, não é possível eliminar todos os fatores de risco residuais. Caso tenha alguma dúvida com relação ao uso seguro desta ferramenta, não a use.**

# Familiarização com o produto

1. Botão de ajuste de velocidade
2. Interruptor Liga/Desliga
3. Furos de fixação em bancada
4. Saídas de ar do motor
5. Furos guia da borda
6. Cabo de alimentação de energia
7. Adaptador do bocal de pó (removível)
8. Base de lixamento
9. Lixa-tubo
10. Parafuso de bloqueio
11. Arruela do tambor
12. Empunhaduras de borracha
13. Braçadeiras de fixação em bancada
14. Tapete de instalação em bancada
15. Tambor da lixa-tubo
16. Guia da borda
17. Parafuso de bloqueio da guia da borda (2)
18. Tambores/Lixas-tubos adicionais

# Uso Pretendido

Lixadeira de fuso oscilante, portátil, compacta, para lixamento leve de bordas, de superfícies curvas internas e de modelos, tanto à mão livre como com a lixadeira instalada em bancada.

A ferramenta só deve ser usada para a finalidade prescrita. Qualquer tipo de uso não mencionado neste manual será considerado um caso de mau uso. O usuário, e não o fabricante, é responsável por todos os danos e ferimentos decorrentes dos casos de mau uso. O fabricante não se responsabilizará por modificações feitas na ferramenta, nem por quaisquer danos que resultem de tais modificações.

**Nota:** produto para uso não comercial.

# Desembalagem da sua ferramenta

- Desembale e inspecione cuidadosamente seu produto. Familiarize-se completamente com todos os recursos e funções
- Certifique-se de que todas as peças do produto estão presentes e em bom estado. Caso estejam faltando peças ou existam danos danificadas, substitua-as primeiro, antes de tentar usar a ferramenta.

# Antes do uso

⚠️ **AVISO:** Assegure-se de que a ferramenta está desconectada da fonte de alimentação, antes de instalar ou trocar acessórios, ou fazer quaisquer ajustes.

## Seleção do grão correto da lixa-tubo

- As lixas-tubo estão disponíveis em uma variedade de grãos: grosso (60), médio (120) e fino (240)
- Use um grão grosso para lixar superfícies ásperas, o grão médio para alisar o trabalho e o grão fino para fazer o acabamento.
- Use sempre lixas-tubo de boa qualidade para maximizar a qualidade do trabalho acabado.
- É aconselhável fazer um teste em um pedaço de material sucateado, para determinar o melhor grão da lixa para o trabalho em particular. Se ainda existirem riscos na peça, após o lixamento, tente lixá-la novamente com uma lixa mais grossa para remover as marcas, antes de recomear com a lixa do grão originalmente selecionado, ou tente usar uma nova lixa para eliminar as marcas indesejadas, antes de usar o grão mais fino e fazer o acabamento.

## Instalação da lixa-tubo

⚠️ **AVISO:** Assegure-se sempre de que a ferramenta está desligada e que o plugue está fora da tomada elétrica, antes de instalar ou remover as lixas-tubo.

**Nota:** Não continue usando lixas-tubo gastas, rasgadas ou com acúmulo de resíduos. Assegure-se de que foram removidos todos os objetos estranhos da peça de trabalho, como pregos e parafusos, antes de começar a lixar.

⚠️ **AVISO:** Não use uma lixa-tubo sobre madeira, se tiver sido usada anteriormente sobre metal. Isso poderá impregnar a superfície da madeira com detritos.

1. Remova o parafuso de bloqueio (10) e a Arruela do tambor (11)(D).
2. Remova o tambor da lixa-tubo (15).
3. Deslize a lixa-tubo (9) sobre o tambor da lixa-tubo (A).
4. Reinstale o tambor da lixa-tubo de volta no fuso (B).
5. Reinstale a Arruela do tambor (C) e reaperte o Parafuso de bloqueio (D)

**Nota:** Veja o diagrama de montagem na fig. I.

## Coleta de pó

⚠️ **AVISO:** Use SEMPRE um aspirador de pó adequado, ou sistema de aspiração de pó de oficina, caso o pó de lixamento contenha substâncias prejudiciais, como partículas de tinta velha, verniz, revestimentos de superfície, etc. Descarte SEMPRE o pó nocivo conforme prescrito pelas leis e regulamentos aplicáveis.

⚠️ **AVISO:** Tome cuidado especial para se proteger contra poeiras nocivas quando estiver lixando superfícies, madeiras ou metais com tintas à base de chumbo, particularmente, se não tiver certeza das substâncias exatas que estão envolvidas. Todas as pessoas que entrarem na área de trabalho, devem usar uma máscara contra o pó e fumaças tóxicas envolvidas. Crianças e mulheres grávidas NÃO DEVEM entrar na área. NÃO coma, beba ou fume na área de trabalho.

- Esta lixadeira foi projetada para ser conectada a uma mangueira de aspirador de pó ou a um sistema de aspiração de pó de oficina. Este é o método preferido, e o mais eficaz, para a coleta de pó.
- Encaixe um tubo de aspiração adequado no Adaptador do bocal de extração de pó (7), fornecido.
- Para remover o Adaptador do bocal de extração de pó: gire no sentido anti-horário de modo que os pinos fiquem alinhados com as ranhuras do bocal de extração de pó e, então, remova.

- Para trocar o Adaptador do bocal de extração de pó: insira-o com os pinos alinhados com o bocal de extração de pó e gire o adaptador no sentido horário para bloqueá-lo no lugar (E).
- A lixadeira de fuso portátil pode ser usada sem o Adaptador do bocal de extração de pó e sem um sistema de extração de pó compatível; contudo, recomenda-se sempre usar um sistema de extração de pó compatível.

⚠ **AVISO:** Quando lavar metal, conecte sempre a lixadeira a um sistema de extração de pó de oficina adequado. Limpe SEMPRE a ferramenta COMPLETAMENTE, quando mudar de lixamento de madeira para lixamento de metal, e vice versa.

**Nota:** Esta ferramenta não é fornecida com um saco de pó porque requer um sistema de extração de pó eficaz. O uso de sacos de pó fornecidos por terceiros, também, não é eficaz e, portanto, não é recomendado.

## Operação

⚠ **AVISO:** Use SEMPRE proteção ocular, auricular e respiratória adequadas, bem como luvas apropriadas, quando trabalhar com esta ferramenta.

⚠ **AVISO:** Não toque na lixa-tubo (9), quando esta estiver em movimento.

**Nota:** Sempre que possível, use braçadeiras para prender sua peça de trabalho à bancada.

⚠ **AVISO:** NUNCA permita que lixa se desgaste completamente, antes de trocá-la. Se estas duas medidas preventivas não forem seguidas, poderão haver danos no Tambor da lixa-tubo (15), o que impedirá a fixação correta das lixas-tubo.

## Acionamento e desligamento

**AVISO:** Nunca ligue a lixadeira quando a lixa-tubo estiver em contato com a peça de trabalho ou com qualquer outra superfície. Isso pode fazer com que o operador perca o controle sobre a máquina levando a ferimentos sérios.

1. Conecte a unidade na energia elétrica.
  2. Para ligar a lixadeira, pressione o botão ON/OFF (Liga/Desliga) (2) na posição "I".
  3. Para desligar a lixadeira, pressione o botão Liga/Desliga (2) na posição "O".
- ⚠ **AVISO:** Espere sempre até que a máquina para de vibrar completamente, antes de posá-la na bancada. Sempre desconecta da alimentação elétrica, após o uso.

## Ajuste da velocidade

⚠ **AVISO:** Nunca instale nenhum acessório no Tambor da lixa-tubo (15) que não tenha velocidade nominal igual ou superior à velocidade máxima sem carga desta lixadeira (Consulte "Especificação").

- Esta lixadeira possui um controle de velocidade variável, que permite que seja usada com diversos acessórios, para trabalhar em uma série de materiais, peças de trabalho e objetos diferentes.

**Nota:** O botão de ajuste de velocidade (1) pode ser ajustado quando a lixadeira estiver ligada ou desligada. Quando o botão de ajuste de velocidade estiver na posição "1", a velocidade sem carga da lixadeira será de 1800 min<sup>-1</sup>; Quando o botão de ajuste de velocidade estiver na posição "6", a lixadeira atingirá a velocidade máxima sem carga de 3200 min<sup>-1</sup>.

- Para ajustar a velocidade, gire o botão de ajuste de velocidade até à posição desejada.
- As posições de velocidade vão de 1 a 6, sendo "1" a posição de velocidade mais lenta, e "6" a mais rápida.
- Se tiver dúvidas para escolher o valor correto de velocidade, adequado a uma tarefa específica, comece trabalhando em baixa velocidade, examine o resultado e ajuste para uma velocidade maior, se necessário.

## Lixamento de bordas

- A lixadeira de fuso portátil é eficaz no lixamento de bordas de uma variedade de peças de trabalho planas (F).
  - Assegure-se sempre de deixar a peça de trabalho presa e use braçadeiras, onde necessário.
  - A Guia da borda (16) pode ser presa à lixadeira, se necessário (J). Aplique a Guia de borda na lixadeira e prenda na posição desejada co os Parafusos de bloqueio da guia de borda (17) (Fig. II).
1. Posicione a lixadeira com a Base de lixamento (8) plana sobre a superfície e com a Lixa-tubo (9) virada para baixo, garantindo que há espaço mais do que suficiente para o curso do movimento vertical do fuso oscilante.
  2. Primeiro ligue o sistema de extração de pó (Se conectado) e, então, ligue a lixadeira de fuso.
  3. Faça passes mais curtos na borda da peça de trabalho, ao invés de passes mais longos e lentos.
  4. Deixe a lixadeira fazer o trabalho e não force a lixadeira contra a peça de trabalho, por aplicar pressão excessiva. Fazer isso poderia danificar a peça de trabalho e a ferramenta, ou provocar ferimentos no operador.
- Nota:** Quando usar a Guia da borda, comece lixando sempre a partir do canto ou borda da peça de trabalho. Comece com a guia de alimentação dianteira contra a peça de trabalho e movimente a ferramenta gradualmente sobre a superfície.

## Lixamento com instalação invertida na bancada

⚠ **AVISO:** Assegure-se sempre de que a ferramenta está desligada e de que o plugue está fora da tomada elétrica, antes de instalar ou remover as lixas-tubo.

- A lixadeira de fuso portátil é eficaz no lixamento de bordas de uma variedade de peças de trabalho, quando a lixadeira é invertida e presa firmemente na posição de instalação em bancada (G).

1. Posicione o Tapete de instalação em bancada (14) na borda de uma bancada estável.
2. Posicione a lixadeira de fuso portátil na posição invertida no tapete, fixando-a à bancada com as Braçadeiras de instalação em bancada (13), assegurando que a lixadeira está fixa na bancada, por meio do aperto das porcas borboleta das Braçadeiras de instalação em bancada.
3. Conecte a mangueira do sistema de extração de pó ao Adaptador de extração de pó (se for necessária aspiração de pó).

**Nota:** Recomenda-se sempre o uso de um sistema de extração de pó compatível, quando a lixadeira de fuso portátil for usada na posição de montagem invertida em bancada.

4. Seleção a velocidade desejada no Botão de ajuste de velocidade (1).
5. Primeiro ligue o sistema de extração de pó (Se conectado) e, então, ligue a lixadeira de fuso.
6. Use a Base de lixamento (8) como uma superfície de mesa para estabilizar a peça de trabalho.
7. Deixe a lixadeira fazer o trabalho e não force a peça de trabalho contra a lixa-tubo, excessivamente (9). Fazer isso poderia danificar a peça de trabalho e a ferramenta, ou provocar ferimentos no operador.

## Dicas de lixamento

- Se a ferramenta estiver conectada a um sistema de aspiração de pó, ligue o dispositivo aspirador antes de ligar a lixadeira.

- Sempre que possível, prenda as peças de trabalho na bancada. Assegure-se de que as peças de trabalho não conseguirão se mover, durante o trabalho.

⚠ **AVISO:** Pressão excessiva não produz uma remoção mais rápida de material; porém provocará um desgaste prematuro do disco abrasivo (9), e poderá danificar a ferramenta. O desempenho do lixamento e qualidade do acabamento são afetados primariamente pela escolha da lixa-tubo (Ver "Seleção do grau correto da lixa-tubo").

## Lixamento de metais

⚠ **AVISO:** Quando se lixam metais, devem ser tomadas algumas precauções adicionais.

- Conecte SEMPRE a lixadeira por meio de um Dispositivo de Corrente Residual (RCD) adequado.

- Conecte SEMPRE a lixadeira a um sistema de aspiração de pó adequado.

- Limpe a ferramenta completamente, antes de usá-la para lixar metal.

⚠ **AVISO:** As partículas quentes de metal e centelhas podem incendiar resíduos de serragem. Limpe SEMPRE a ferramenta completamente, quando mudar de lixamento de madeira para lixamento de metal, e vice-versa.

- Uma lixa-tubo, que tenha sido usada para lixar metal, não deve ser usada para lixar madeira. Partículas residuais de metal podem causar arranhões e danificar a superfície da peça de trabalho.

## Acessórios

- Existe uma linha de acessórios disponíveis em seu revendedor Triton, incluindo discos abrasivos perfurados com diversos grãos. Para sua segurança, use apenas acessórios originais da Triton.
- Peças de reposição podem ser adquiridas em seu revendedor Triton, ou on-line pelo site: [www.toolsparsonline.com](http://www.toolsparsonline.com)

## Manutenção

⚠ **AVISO:** Desconecte sempre a ferramenta da alimentação elétrica, antes de realizar qualquer manutenção/limpeza.

## Inspeção geral

- Verifique regularmente se todos os parafusos de montagem estão apertados. Eles podem se soltar com o tempo devido à vibração.
- Inspeção o cabo de energia da ferramenta, antes de cada utilização, em busca de desgaste ou danos. Reparos devem ser realizados por um Centro de Serviços Autorizado da Triton ou Técnico. E isto também se aplica a qualquer cabo de alimentação elétrica da ferramenta.

## Lubrificação

- Lubrifique todas as peças móveis com um aerosol lubrificante adequado, em intervalos regulares.

## Limpeza

- Mantenha sua ferramenta limpa o tempo todo. A sujeira e o pó produzem desgaste acelerado das peças internas e encurtam a vida útil da ferramenta.
- Limpe o corpo de sua ferramenta com uma escova macia e pano seco.
- Nunca use agentes cáusticos para limpar peças plásticas. Caso não seja suficiente uma limpeza seca, recomenda-se o uso de um pano úmido com detergente suave.
- Água não deve nunca entrar em contato com a ferramenta.
- Assegure-se de que a ferramenta está completamente seca, antes de usá-la.
- Se houver ar comprimido disponível, use-o para soprar a sujeira nos orifícios de ventilação (onde aplicável).

## Superfícies do tambor da lixa-tubo

- A superfície do Tambor da lixa-tubo (15) precisa estar limpa, e livre de sujeira e de materiais estranhos, como cabelos, fibras, areia, etc.
- Para oferecer uma adesão adequada à fixação dos acessórios, a superfície do Tambor da lixa-tubo deve estar em boas condições.
- Quando usados extensivamente, os tambores de lixa-tubo se gastarão e não mais oferecerão o diâmetro necessário para adesão da lixa-tubo.

**Nota:** Estes Tambores de lixa-tubo da lixadeira não são cobertos pela garantia. Tambores de lixa-tubo de reposição poderão ser obtidos como peças de reposição em um Centro de Serviços Autorizado da Triton.

## Limpeza do bocal de extração de pó

- Ocasionalmente poderá ser necessário desobstruir ou limpar o bocal de extração de pó e o canal.
1. Para limpar o bocal e o canal, remova primeiro o Tambor da lixa-tubo (15) (Consulte 'Instalação de uma lixa-tubo').
  2. Com uma chave de fenda (não fornecida), retire os parafusos da Base de lixamento (8) e remova a Base de lixamento. Tome cuidado para não perder as arruelas debaixo da Base de lixamento em cada furo de parafuso (H).
  3. Na Base de lixamento, remova o disco de metal para revelar o duto de pó (I).
  4. Limpe o canal interno, o bocal de pó e a cavidade da correia com uma escova e, depois, com ar comprimido.
  5. Após a limpeza completa, troque a Base de lixamento e aperte os parafusos.
  6. Substitua o tambor da lixa-tubo.

**⚠️ AVISO:** Após a limpeza, garanta que todas as arruelas e parafusos estão no lugar e estão apertados, antes de reutilizar a lixadeira. Se a ferramenta vibrar excessivamente ou produzir qualquer ruído estranho, diferente do ruído em operação normal, PARE de usá-la e remova o plugue da fonte de alimentação. Siga o procedimento de limpeza, novamente, para assegurar que todas as peças são substituídas corretamente. Se som e vibração ainda ocorrerem, consulte um técnico de serviços qualificado da Triton.

## Armazenamento

- Armazene esta ferramenta e seus acessórios em sua caixa, em um local seco e firme, fora do alcance de crianças.

## Contato

Para obter orientações técnicas ou sobre reparos, ligue para o número da Assistência ao Cliente: (+44) 1935 382 222

**Web:** tritontools.com/pt-PT/Support

### Endereço (RU):

Toolstream Ltd.  
Boundary Way  
Lufton Trading Estate  
Yeovil, Somerset  
BA22 8HZ, Reino Unido

### Endereço (IE):

Toolstream B.V.  
De Ketten  
00004  
5651 GJ  
Eindhoven, Países Baixos

## Descarte

Cumpra sempre as leis nacionais ao descartar ferramentas elétricas que não funcionam mais e cujo reparo não é mais viável.

- Não descarte ferramentas elétricas, ou outros equipamentos elétricos e eletrônicos (WEEE) no lixo doméstico.
- Contate a autoridade local de eliminação de resíduos para saber o modo correto de descartar ferramentas elétricas.

# Resolução de problemas

Problema	Possível causa	Solução
Nada funciona, quando o Interruptor ON/OFF (Liga/Desliga) (2) é acionado	Não há energia	Verifique a fonte de alimentação elétrica
	Interruptor Liga/Desliga danificado	Solicite a substituição do interruptor Liga/Desliga em um Centro de Serviço Autorizado
O motor sofre cortes, perde desempenho e produz centelhas e/ou cheiro de queimado	As escovas de carbono estão gastas	Solicite a substituição das escovas em um Centro de Serviços Autorizado
Não ocorre lixamento quando o interruptor Liga/Desliga (2) é acionado, mesmo com o motor funcionando,	As engrenagens não engatam	Consulte um Centro de Serviços Autorizado
Remoção de material lenta	A lixa-tubo (9) é fina demais ou está gasta	Instale uma nova lixa-tubo com grão mais grosso
	A velocidade ajustada na ferramenta é lenta demais.	Aumente a velocidade da ferramenta
Riscos na peça de trabalho após o lixamento	A lixa-tubo é grossa demais	Instale uma nova lixa-tubo com grão mais fino
	A remoção de material não é suficiente	Continue lixando
Marcas de queimadura na peça de trabalho	A lixa-tubo é incompatível com o material da peça de trabalho	Instale uma lixa-tubo adequada
	A velocidade ajustada na ferramenta é alta demais	Reduza a velocidade da ferramenta
	Pressão excessiva aplicada sobre a ferramenta	Use uma pressão menor enquanto desloca a máquina
Emissão de pó excessiva	O sistema de aspiração de pó não está conectado, ou está desligado	Verifique a conexão da mangueira do aspirador de pó, o Adaptador do bocal de pó (7) (se usado), e certifique-se de que o sistema de aspiração está Ligado
	A extração de pó não está funcionando; extração de pó bloqueada	Verifique o sistema de extração de pó; desbloqueie a extração de pó (Consulte 'Limpeza do bocal de extração de pó'). Se o problema persistir, consulte um Centro de Serviços Autorizado

## Garantia

Para registrar sua garantia, visite nosso site em [tritontools.com](http://tritontools.com)\* e cadastre suas informações.

## Registro de compra

Data de compra: \_\_\_/\_\_\_/\_\_\_

Modelo: **TSPSP650**

Retenha sua nota fiscal como comprovante de compra.

A Triton Precision Power Tools garante ao comprador deste produto que se qualquer peça estiver comprovadamente defeituosa devido a falhas de material ou mão de obra durante os próximos 3 anos a partir da data da compra original, Triton irá reparar ou, a seu critério, substituir a peça defeituosa sem custo.

Esta garantia não se aplica ao uso comercial nem se estende ao desgaste normal ou a danos decorrentes de acidente, abuso ou uso indevido.

\* Registre-se online dentro de 30 dias após a compra.

Termos e condições aplicáveis.

Isto não afeta seus direitos legais.

# Tłumaczenie oryginalnej instrukcji

## Wprowadzenie

zawierają one informacje niezbędne dla bezpiecznej i wydajnej obsługi produktu. Produkt posiada szereg unikalnych funkcji, dlatego też, nawet, jeśli jesteś zaznajomiony z podobnymi produktami, przeczytanie tego podręcznika jest niezbędne w celu pełnego zrozumienia instrukcji obsługi. Upewnij się, że wszyscy użytkownicy narzędzia przeczytali i w pełni zrozumieli instrukcje obsługi. Przechowaj tę instrukcję wraz z produktem do wykorzystania w przyszłości.

## Opis symboli

Tabela znamionowa zawiera symbole dotyczące narzędzia. Stanowią one istotne informacje o produkcie lub instrukcje dotyczące jego stosowania.



Należy nosić środki ochrony słuchu  
Należy nosić okulary ochronne  
Należy nosić środki ochrony dróg oddechowych  
Należy używać kasku ochronnego



Należy nosić rękawice ochronne



Należy w całości przeczytać instrukcję obsługi



Wymagany, bądź zalecany port odsysania pyłu



Do użytku wewnątrz pomieszczeń!



Należy zawsze odłączać urządzenie od zasilania elektrycznego, podczas regulacji, wymiany akcesoriów, czyszczenia, konserwacji oraz gdy nie jest w użytku!



Konstrukcja klasy II (podwójnie izolowana w celu dodatkowej ochrony)



### Ochrona środowiska

Nie należy wyrzucać zużytych produktów elektrycznych wraz z odpadami komunalnymi. Jeśli jest to możliwe, należy przekazać produkt do punktu recyklingu. W celu uzyskania wskazówek dotyczących recyklingu należy skontaktować się z władzami lokalnymi lub sprzedawcą.



Urządzenie zgodne z odpowiednimi przepisami i normami bezpieczeństwa



Uwaga!



Toksyczne opary lub gazy!

## Instrukcja obsługi i bezpieczeństwa

V	Wolt
~, AC	Prąd przemienny
A, mA	Amper, milli-Amp
n <sub>0</sub>	Prędkość bez obciążenia
opm	Oscylacji na minutę
Ø	Średnica
Hz	Herc
W, kW	Wat, kilowat
/min or min <sup>-1</sup>	Obroty lub ruchy recyproktywne na minutę (obr/min)
rpm	Obroty na minutę
dB(A)	Poziom hałasu w decybelach (A mierzony)
m/s <sup>2</sup>	Metry na sekundę do kwadratu (wartość drgań)

## Dane techniczne

Numer modelu	TSPSP650
Napięcie elektryczne	230 – 240 V ~ 50/60 Hz
Moc	650 W
Prędkość bez obciążenia	1800–3200min <sup>-1</sup>
Szybkość oscylacji	50-90 oscylacji/min
Długość skoku	6,5 mm
Długość rękawa	76 mm
Średnica tulei szlifierskiej	Ø13mm, Ø19mm, Ø26mm, Ø38mm
Klasa ochrony	
Stopień ochrony	IP20
Długość przewodu zasilającego	2 m
Wymiary (Dł. x Szer. x Wys.)	262 x 84 x 261 mm
Waga	2,2 kg
<b>W wyniku nieprzerwanego procesu rozwojowego produktów specyfikacje produktów Triton mogą ulec zmianie bez uprzedniego powiadomienia.</b>	
<b>Parametry emisji dźwięku i wibracji</b>	
Poziom ciśnienia akustycznego L <sub>PA</sub>	86,4 dB(A)
Poziom mocy akustycznej L <sub>WA</sub>	97,4 dB(A)
Niepewność pomiaru K	3 dB
Wartość emisji wibracji a <sub>n</sub>	4,874 m/s <sup>2</sup>
Niepewność pomiaru K	1,5 m/s <sup>2</sup>
<b>Poziom natężenia dźwięku dla operatora może przekroczyć 85 dB(A) dlatego konieczne jest zastosowanie środków ochrony słuchu.</b>	



⚠ **OSTRZEŻENIE:** Jeżeli poziom hałasu przekracza 85dB(A) należy zawsze stosować środki ochrony słuchu oraz ograniczyć czas narażenia słuchu na nadmierny hałas. Jeśli poziom hałasu powoduje dyskomfort, nawet w przypadku zastosowania środków ochrony słuchu, niezwłocznie przestań korzystać z narzędzia i sprawdź czy środek ochrony słuchu jest prawidłowo zamontowany i zapewnia odpowiedni poziom tłumienia dźwięku w odniesieniu do poziomu hałasu wytwarzanego przez narzędzie.

⚠ **OSTRZEŻENIE:** Narażenie użytkownika na wibracje narzędzia może spowodować utratę zmysłu dotyku, drętwienie, mrowienie i zmniejszenie zdolności uchwytu. Długotrwałe narażenie może prowadzić do stanu przewlekłego. Jeśli jest to konieczne, ogranicz czas narażenia na wibracje i stosuj rękawice antywibracyjne. Nie korzystaj z urządzenia w trybie ręcznym w temperaturze niższej niż normalna komfortowa temperatura otoczenia, ponieważ zwiększy to efekt wywołany przez wibracje. Skorzystaj z wartości liczbowych podanych w specyfikacji dotyczącej wibracji, aby obliczyć czas trwania i częstotliwość pracy z narzędziem.

⚠ **OSTRZEŻENIE:** Emisja drgań podczas rzeczywistego użytkownika elektronarzędzia może różnić się od podanej wartości całkowitej w zależności od sposobu używania narzędzia. Należy zidentyfikować i wprowadzić dodatkowe środki bezpieczeństwa, mające na celu ochronę operatora przed skutkami ekspozycji na drgania w konkretnych warunkach (trzeba wziąć pod uwagę także okresy, gdy urządzenie jest wyłączone, lub gdy jest wprawdzie włączone, ale nie jest używane do pracy).

Deklarowana wartość całkowita drgań została zmierzona zgodnie ze standardową metodą badania i może być wykorzystana do porównywania narzędzi. Deklarowana całkowita wartość drgań może być również wykorzystywana w celu przeprowadzenia wstępnej oceny narażenia. Poziom hałasu i wibracji w specyfikacjach jest określony zgodnie z normami międzynarodowymi. Wartości te reprezentują korzystanie z urządzenia w normalnych warunkach roboczych. Niebadała konserwacja, nieprawidłowy montaż lub nieprawidłowe użytkowanie urządzenia mogą spowodować wzrost poziomu hałasu oraz wibracji. [www.osha.europa.eu](http://www.osha.europa.eu) dostarcza informacji na temat poziomów hałasu i wibracji w środowisku pracy, które mogą być przydatne dla użytkowników przydatnych, korzystających z urządzenia przez długi czas.

## Główne instrukcje dotyczące bezpieczeństwa

⚠ **OSTRZEŻENIE:** Przeczytaj wszystkie ostrzeżenia i instrukcje bezpieczeństwa. Nieprzestrzeganie ostrzeżeń i instrukcji może prowadzić do porażenia prądem, pożaru i / lub poważnych obrażeń.

Zachowaj wszystkie instrukcje do wykorzystania w przyszłości.

Termin „elektronarzędzie” odnosi się do urządzenia zasilanego siecią (przewodowego) lub urządzenia zasilanego za pomocą baterii (beprzewodowego).

### 1) Bezpieczeństwo obszaru pracy

- Zadbaj o prawidłową higienę i prawidłowe oświetlenie obszaru pracy.** Zanieczyszczenie lub brak wystarczającego oświetlenia obszaru pracy mogą doprowadzić do wypadków.
- Nie należy używać elektronarzędzi w przestrzeniach zagrożonych wybuchem, np. w obecności łatwopalnych cieczy, gazów lub pyłu.** Urządzenia elektryczne wytwarzają iskry, które mogą podpałić pył lub opary.
- Nie dopuszczaj dzieci ani innych osób do obszaru pracy elektronarzędzi.** Nieuwaga może spowodować utratę kontroli.

### 2) Bezpieczeństwo elektryczne

- Wtyczka elektronarzędzia musi pasować do gniazda zasilania.** Nie wolno modyfikować wtyczki w żaden sposób. Nie wolno stosować żadnych przejściówek z uzziemionym urządzeniem. Oryginalne wtyczki i pasujące gniazda zmniejszają ryzyko porażenia prądem.
- Unikaj dotykania uzziemionych powierzchni, takich jak rury, grzejniki, piece i lodówki.** Uziemienie ciała powoduje zwiększenie ryzyka porażenia prądem.
- Nie wystawiaj elektronarzędzi na działanie deszczu lub wilgoci.** Przedostanie się wody do urządzenia zwiększa ryzyko porażenia prądem.
- Nie należy nadwyrażać kabla.** Nigdy nie używaj go do przenoszenia, przeciągania lub odłączania elektronarzędzi. Trzymaj przewód z dala od źródeł ciepła, oleju, ostrych krawędzi lub ruchomych części urządzenia. Uszkodzone lub poplątane kable zwiększają ryzyko porażenia prądem.
- W przypadku korzystania z urządzenia na wolnym powietrzu używaj przedłużacza przystosowanego do używania na zewnątrz.** Korzystanie z przedłużacza przystosowanego do używania na zewnątrz zmniejsza ryzyko porażenia prądem.
- W przypadku korzystania z elektronarzędzia w miejscu o dużym natężeniu wilgoci należy używać gniazda zasilania wyposażonego w wyłącznik różnicowoprądowy (RCD).** Korzystanie z wyłącznika różnicowoprądowego zmniejsza ryzyko porażenia prądem.
- W przypadku korzystania z urządzenia w Australii lub Nowej Zelandii, zalecane jest zasilanie urządzenia TYLKO z wykorzystaniem wyłącznika różnicowoprądowego (RCD) o znamionowym prądzie różnicowym nieprzekraczającym 30 mA.**

- Użyj odpowiedniego przedłużacza.** Upewnij się, że przedłużacz jest w dobrym stanie. Używając przedłużacza, upewnij się, że używasz przedłużacza wystarczająco solidnego, aby utrzymać prąd pobierany przez produkt. *Zbyt mały przewód spowoduje spadek napięcia w sieci, co spowoduje utratę mocy i przegrzanie*
- Bezpieczeństwo osobiste**
  - Podczas korzystania z elektronarzędzi bądź czujny, uważaj, co robisz i zachowaj zdrowy rozsądek.** Nie używaj ich, gdy jesteś zmęczony albo pod wpływem narkotyków, alkoholu lub leków. *Chwilą nieuwagi podczas obsługi urządzenia może spowodować poważne obrażenia ciała.*
  - Korzystaj ze środków ochrony osobistej.** Zawsze stosuj środki ochrony oczu. *Wypośażenie ochronne, takie jak maska przeciwpyłowa, obuwie robocze antypoślizgowe na szorstkiej podszewce, kask ochronny lub naszelniki ochronne używane w odpowiednich warunkach, zmniejsza ryzyko obrażeń.*
  - Zapobiegaj przypadkowemu włączeniu urządzenia.** Przed podłączeniem do źródła zasilania i / lub akumulatora, podnoszeniem lub przenoszeniem narzędzia, upewnij się, że przełącznik zasilania znajduje się w pozycji wyłączonej. *Przenoszenie urządzenia z palcem umieszczonym na wyłączniku zasilania lub podłączanie elektronarzędzi przy włączonym przełączniku zasilania stwarza ryzyko wypadku.*
  - Przed włączeniem elektronarzędzia usuń z niego wszystkie klucze regulacyjne.** *Narzędzie lub klucz pozostawiony w obracającej się części elektronarzędzia może spowodować obrażenia ciała.*
  - Nie wychylaj się.** W każdej chwili zachowaj odpowiednią pozycję i równowagę. *Umożliwia to lepszą kontrolę nad elektronarzędziem w nieoczekiwanych sytuacjach.*
  - Noś odpowiednią odzież.** Nie zakładaj do pracy z elektronarzędziem luźnej odzieży ani biżuterii. *Trzymaj włosy, odzież i rękawice z dala od ruchomych części urządzenia. Luźne ubranie, biżuteria lub długie włosy mogą zostać wciągnięte przez ruchome części urządzenia.*
  - Jeśli do zestawu załączone są urządzenia do podłączania mechanizmów odsysania i zbierania pyłu, sprawdź czy one są przyłączone i prawidłowo zamocowane.** *Korzystanie z urządzenia odsysającego pył może zmniejszyć zagrożenie pyłami.*
  - Nie pozwól, aby znajomość urządzenia, pozwoliła na ignorowanie zasad bezpieczeństwa.** *Nieostrożne działanie może doprowadzić do poważnych obrażeń w ciągu sekund.*
- Użytkowanie i pielęgnacja elektronarzędzi.**
  - Nie należy przeciągać urządzenia.** Używaj narzędzi odpowiednich do danego zastosowania. *Prawidłowe narzędzie wykona zadanie lepiej i bezpieczniej w podanym zakresie sprawności.*
  - Nie należy używać urządzenia, jeśli nie można go włączyć lub wyłączyć za pomocą odpowiedniego przełącznika.** *Urządzenia, które nie mogą być kontrolowane za pomocą przełącznika są niebezpieczne i muszą zostać oddane do naprawy.*
  - Przed dokonaniem regulacji, wymiany akcesoriów lub przechowywaniem elektronarzędzia odłącz wtyczkę od źródła zasilania i / lub akumulator od urządzenia.** *Te prewencyjne środki bezpieczeństwa zmniejszają ryzyko przypadkowego uruchomienia elektronarzędzia.*
  - Nieużywane elektronarzędzie przechowuj w miejscu niedostępnym dla dzieci i nie dopuszczaj do nich osób nie znających elektronarzędzi lub ich instrukcji obsługi.** *Elektronarzędzia stanowią niebezpieczeństwo w rękach niedoświadczonych użytkowników.*
  - Przeprowadzaj konserwacje elektronarzędzi.** *Sprawdź urządzenie pod kątem nieprawidłowego ustawienia lub zablokowania elementów ruchomych, pęknięć części lub innych usterek, które mogą mieć negatywny wpływ na funkcjonowanie urządzenia. W przypadku usterek należy naprawić urządzenie przed ponownym użyciem. Niewłaściwa konserwacja elektronarzędzi jest przyczyną wielu wypadków.*
  - Utrzymuj narzędzia tnące w czystości i dobrze naostrzone.** *Zadbane narzędzia tnące z ostrymi krawędziami tnącymi rzadziej się zacinają i łatwiej nimi sterować.*
  - Używaj elektronarzędzia, akcesoria, końcówki itp. zgodnie z tymi instrukcjami, biorąc pod uwagę warunki pracy i realizowane zadania.** *Używanie narzędzi do wykonywania prac niezgodnych z ich przeznaczeniem może doprowadzić do niebezpiecznych sytuacji.*
  - Utrzymuj rękawice oraz powierzchnie uchwytów suchą, czystą bez oleju i smaru.** *Śliskie uchwytów nie zapewniają bezpiecznej obsługi i kontroli narzędzia w nieoczekiwanych sytuacjach.*
- Serwis**
  - Urządzenie powinno być serwisowane przez wykwalifikowaną personel naprawczy przy użyciu wyłącznie oryginalnych części zamiennych.** *Zagwarantuje to bezpieczeństwo elektronarzędzia.*

# Szczególne zasady bezpieczeństwa

## Bezpieczeństwo korzystania z urządzeń szlifierskich

### ⚠️ OSTRZEŻENIE!

- Należy trzymać elektronarzędzie za izolowane uchwyty bądź same uchwyty, ponieważ pas/arkusz szlifierski może dojść do kontaktu z kablem zasilania. Przecięcie kabla pod napięciem może spowodować, że odsoniżone elementy metalowe staną się przewodnikiem prądu i mogą grozić porażeniem prądu operatora.
  - Należy użyć zacisków, bądź innego sposobu do podtrzymania obrabianego elementu do stabilnej podstawy. Przytrzymanie obrabianego elementu ręką bądź ciałem, sprawia, że jest niestabilny i może to doprowadzić do utraty kontroli.
- Zawsze należy stosować odpowiednie środki ochrony osobistej, w tym maskę przeciwpyłową przynajmniej klasy FFP2, środki ochrony oczu i ochraniacze uszu.**
  - Upewnij się, że wszystkie osoby znajdujące się w pobliżu obszaru roboczego są również wyposażone w odpowiednie środki ochrony osobistej
  - Zachować szczególną ostrożność podczas szlifowania pewnych rodzajów drewna (takich jak buk, dąb, mahoni i drzewo tekowe), ponieważ podczas szlifowania produkowany jest toksyczny pył, który może powodować poważne reakcje organizmu
  - NIGDY nie należy próbować szlifować materiałów zawierających azbest. W razie niepewności, co do rodzaju materiału, należy się skontaktować ze specjalistą.**
  - NIE WOLNO szlifować magnezu lub stopów zawierających wysoki odsetek magnezu**
  - Uważać na lakier wykończeniowy lub środki ochronne zastosowane na szlifowanym materiale. Wiele środków lakierniczych może powodować wytworzenie toksycznego lub szkodliwego pyłu. W przypadku pracy wykonywanej w budynkach wzniesionych przed rokiem 1960, istnieje ryzyko, że zastosowano w nich farby zawierające ołów.
  - Pył wytwarzany podczas szlifowania farb zawierających ołów jest szkodliwy szczególnie w przypadku dzieci, kobiet w ciąży oraz osób cierpiących na nadciśnienie. Nie należy dopuszczać tych osób w pobliże obszaru roboczego, nawet przy zastosowaniu odpowiednich środków ochrony osobistej.
  - Jeśli jest to możliwe, zaleca się korzystanie z systemu odsysania pyłu w celu zachowania kontroli nad emisjami pyłu i innych odpadów
  - Zachować szczególną ostrożność podczas stosowania urządzenia do szlifowania zarówno drewna, jak i metalu. Iskry wytwarzane podczas szlifowania metalu mogą łatwo podpalić drewniany pył. Należy zawsze dokładnie czyścić urządzenie, aby zmniejszyć ryzyko pożaru.
  - Należy opróżnić torbę na pył bądź pojemnik (w stosownych przypadkach) często podczas jego użytkowania, przed przerwaniem pracy, bądź po całkowitym jej skończeniu. *Kurz może stać się zagrożeniem wybuchu. NIE WOLNO wyrzucać pyłu/kurzu do otwartego ognia. Spontaniczne spalanie może wystąpić w przypadku, gdy cząsteczki oleju lub wody wejdą w kontakt z cząstkami kurzu. Należy zutilizować takie odpady starannie i zgodnie z lokalnymi przepisami.*
  - Podczas korzystania z urządzenia powierzchnie robocze oraz papier ścierny mogą ulec znacznemu nagrzananiu. Należy niezwłocznie przerwać pracę z urządzeniem w przypadku pojawienia się śladów spalania (dymu lub popiołu) na powierzchni roboczej i odczekać, aż materiał ostygnie. Nie wolno dotykać powierzchni przedmiotu obróbki oraz papieru ściernego, dopóki nie ostygną.
  - Nie dotykać papieru ściernego w ruchu.
  - Należy zawsze wyłączyć szlifierkę przed odłożeniem
  - NIE WOLNO stosować do szlifowania na mokro. Płyn, który dostanie się do silnika może spowodować poważne porażenie prądem.
  - Przed rozpoczęciem wymiany lub zakładania papieru ściernego należy zawsze odłączyć szlifierkę od źródła zasilania
  - Nawet wtedy, gdy urządzenie jest używane zgodnie z zaleceniami, nie jest możliwe wyeliminowanie wszystkich pozostałych czynników ryzyka rezydualnego. Nie korzystaj z urządzenia w przypadku pojawienia się wątpliwości dotyczących jego bezpiecznego użytkowania

## Przedstawienie produktu

- Pokrętło regulacji prędkości
- Przełącznik On/Off
- Otwory montażowe na stole roboczym
- Wentylatory silnika
- Otwory na prowadnicę krawędziową

- Przewód zasilania
- Adapter portu odsysania pyłu (zdejmovany)
- Podstawa szlifierska
- Tuleja szlifierska
- Śruba blokująca
- Podkładka bębna
- Gumowe uchwyty
- Zaciski montażu do blatu
- Mata do montażu szlifierki na stole roboczym
- Gumowy bęben szlifierski
- Prowadnica krawędziowa
- Wkręty mocujące prowadnicę (2)
- Dodatkowa tuleja szlifierska

## Zastosowanie zgodne z przeznaczeniem

Kompaktowa szlifierka oscylacyjna przeznaczona do lekkiego rodzaju zakrzywionych wewnętrznych szlifowań, bądź przy użyciu szablunu z możliwością pracy z wolnej ręki, bądź na stole roboczym.

Urządzenie może być wykorzystane TYLKO do zastosowań zgodnych z jego przeznaczeniem. Jakikolwiek inne użycie niż te wymienione w niniejszej instrukcji, będzie uważane za przypadek nadużycia. Użytkownik, a nie producent, ponosi odpowiedzialność za jakiegokolwiek uszkodzenia lub szkody powstałe w wyniku niepoprawnego użytkowania. Producent nie ponosi odpowiedzialności za jakiegokolwiek modyfikacje narzędzia ani za szkody powstałe w wyniku próby modyfikacji.

Urządzenie nie jest przeznaczone do komercyjnego użytku.

## Rozpakowanie narzędzia

- Ostrożnie rozpakuj i sprawdź narzędzie. Zapoznaj się ze wszystkimi mechanizmami i funkcjami.
- Upewnij się, że narzędzie zawiera wszystkie części i są one w dobrym stanie. Jeśli brakuje pewnych części lub są one uszkodzone, należy uzupełnić lub wymienić je przed rozpoczęciem korzystania z narzędzia.

## Przygotowanie do eksploatacji

⚠️ **OSTRZEŻENIE:** Zawsze należy odłączyć urządzenie od zasilania przed usunięciem bądź zamocowaniem talerza szlifierskiego z mocowaniem na rzep.

## Wybór odpowiedniego rękawa szlifierskiego

- Tuleje szlifierskie są dostępne w rozmaitych stopniach ziarnistości: gruboziarniste (uziarnienie 60), średnioziarniste (uziarnienie 120), drobnoziarniste (uziarnienie 240)
- Tuleja szlifierska gruboziarnista przeznaczona do szorstkiego wykończenia, średnioziarnista do gładkiego zaś drobnoziarnista do szlifowania wykończeniowego
- Zawsze należy używać tulei szlifierskiej dobrej, jakości w celu zmaksymalizowania, jakości zakończonyj pracy
- Wskazane jest przetestowanie tulei na niepotrzebnym kawałku drewna w celu określenia odpowiedniego rodzaju tarczy szlifierskiej do wykonania określonej pracy.
- Jeśli na obrabianym elemencie nadal widoczne są ślady należy wrócić do tarczy z grubszym uziarnieniem i je wyszlifować, bądź spróbować z pomocą nowej tarczy szlifierskiej, w celu całkowitego usunięcia niepożądanych śladów, a przed wymianą na tarczę drobnoziarnistą i przystąpieniem do szlifowania wykończeniowego

## Mocowanie tulei szlifierskiej

⚠️ **OSTRZEŻENIE:** Zawsze należy się upewnić, że urządzenie jest wyłączone od zasilania, a wtyczka wyciągnięta z kontaktu, przed próbą zamontowania bądź wymianą tulei szlifierskiej.

**Uwaga:** NIE WOLNO UŻYWAĆ zużytych, rozdartych, bądź mocno zatłakanych tulei szlifierskich. Przed przystąpieniem do pracy należy się upewnić, że obrabiany przedmiot nie posiada żadnych gwóźdźi, śrub bądź innych ciał stałych..

⚠️ **OSTRZEŻENIE:** NIE WOLNO UŻYWAĆ TULEI SZLIFERSKIEJ do szlifowania drewna, która uprzednio była stosowana do szlifowania metalu. Może to spowodować zarysowanie powierzchni.

- Odkręć śrubę blokującą (10) oraz zdjąć nakrętkę (11) (D)
- Zdejmij gumowy bęben (15)
- Nałóż tuleje szlifierski (9) na gumowy bęben szlifierski (A)

- Należ ponownie bęben szlifierski na wrzeciono (B)
- Umieść podkładkę bębna na miejscu (C) następnie przykręć śrubę blokującą (D)

**Uwaga:** Sprawdź Rys. I jako schemat montażowy

## Odsysanie pyłu

**⚠ OSTRZEŻENIE:** Niniejsza szlifierka jest zaprojektowana do podłączenia do węża domowego odkurzacza lub warsztatowego systemu odsysania, jeśli pył zawiera szkodliwe substancje, takie jak cząsteczki ze starej farby, lakieru, bądź inne powłoki. Zawsze należy użytyłować szkodliwe pyły zgodnie z przepisami panującymi w danym regionie.

**⚠ OSTRZEŻENIE:** Należy zachować szczególną ostrożność w celu ochrony przed szkodliwym i toksycznym pyłem/kurzem podczas szlifowania powierzchni lakierowanych na bazie ołowiu, drewna i metalu szczególnie, jeśli nie jesteśmy pewni substancji zawartej w powłoce powierzchni. Wszystkie osoby znajdujące się w pobliżu miejsca pracy muszą być zapoznane z maski specjalnie zaprojektowane do ochrony przed toksycznym pyłem i wydzielanymi przy tym oparami. Dzieci i kobiety w ciąży nie mogą się zbliżyć do miejsca pracy. **NIE WOLNO** jeść, pić bądź palić w obszarze pracy.

- Niniejsza szlifierka jest zaprojektowana do podłączenia do węża domowego odkurzacza lub warsztatowego systemu odsysania. Jest to preferowana i bardziej efektywna metoda odsysania pyłu
- Podłącz wąż odkurzacza do dołączonego adapteru portu odsysania pyłu (7)
- Aby zdjąć adapter portu odsysania pyłu: należy obrócić w lewo sworznie ustawione w linii z nacięciami portu odsysania, po czym zdjąć port ekstrakcji pyłu
- Aby wymienić adapter portu odsysania pyłu: umieść go razem z sworznią będącymi w linii, po czym przekręć adapter w prawo do zablokowania (E)
- Powwyższe urządzenie może być wykorzystane bez adapteru odsysania pyłu, jednakże z kompatybilnym systemem odsysania

**⚠ OSTRZEŻENIE:** W przypadku szlifowania metalu, nie wolno korzystać z torby na pył! Gorące cząsteczki metalu i iskry mogą spowodować zapalenie resztkowego pyłu. Zawsze należy podłączać urządzenie do odpowiedniego systemu ssącego. Zawsze należy dokładnie wyczyścić urządzenie przed zmianą rodzaju szlifowania z drewna na metal i odwrotnie.

**Uwaga:** Torba na pył nie jest dołączona do produktu, gdyż zalecany jest system ekstrakcji pyłu, jako efektywniejsza metoda odsysania.

## Obsługa

**⚠ OSTRZEŻENIE:** Zawsze należy używać odpowiedniego wyposażenia ochronnego, podczas operowania tym narzędziem min. okularów ochronnych, środków ochrony dróg oddechowych oraz środków ochrony słuchu.

**⚠ OSTRZEŻENIE:** NIE WOLNO DOTYKAĆ rękawa szlifierskiego (9) znajdującemu się w ruchu

**Uwaga:** W razie możliwości, zawsze należy używać zacisków montowanych do stołu warsztatowego w celu zabezpieczenia elementu poddawanego obróbce.

**⚠ OSTRZEŻENIE:** NIGDY nie wolno doprowadzić do całkowitego zużycia tarczy szlifierskiej przed ponowną jej wymianą. Niezastosowanie się do powyższych środków ostrożności, może doprowadzić do zniszczenia bębna szlifierskiego (15), w efekcie, czego, będzie niemożliwe poprawne zamontowanie tulei szlifierskiej.

## Włączenie/wyłączenie

**⚠ OSTRZEŻENIE:** Nigdy nie należy uruchamiać szlifierki, jeśli tuleja szlifierska (9) znajduje się w kontakcie z przedmiotem obróbki, bądź inną powierzchnią. Może to doprowadzić do utraty kontroli przez operatora, a co za tym idzie doprowadzenie do poważnych uszkodzeń.

- Podłącz wtyczkę do źródła zasilania
- Aby uruchomić szlifierkę, pchnij przelącznik On/Off (2) na pozycję 'I'
- W celu wyłączenia szlifierki , pchnij przelącznik ON/OFF 'O'

**⚠ OSTRZEŻENIE:** Zawsze należy odczekać, aż maszyna samoczynnie się zatrzyma przed odłożeniem jej na miejsce. Po czym odłączyć ją od źródła zasilania po zakończeniu użytkowania.

## Regulacja prędkości urządzenia

**⚠ OSTRZEŻENIE:** NIGDY nie należy stosować akcesoriów na bębnie szlifierskim (15) jeśli ich maksymalna prędkość bez obciążenia jest niższa od prędkości obrotowej urządzenia (patrz dane techniczne).

- Niniejsza szlifierka Triton jest wyposażona w regulację prędkości, która może być wykorzystywana podczas stosowania różnorodnych akcesoriów, przy obróbce różnego rodzaju materiałów

**Uwaga:** Pokrętko regulacji prędkości (1) może być regulowane, kiedy szlifierka jest włączona bądź wyłączona. Jeśli pokrętko jest ustawione na pozycję '1' prędkość bez obciążenia szlifierki będzie wynosiła 1800min<sup>-1</sup>; jeśli pokrętko zostanie ustawione na '6' prędkość bez obciążenia szlifierki będzie wynosić 3200 min<sup>-1</sup>.

- Aby dostosować prędkość, przekręć pokrętko na żądane ustawienia w zakresie 1–6, gdzie '1' jest najniższą, zaś '6' najwyższą
- W przypadku wątpliwości, co do poprawnego ustawienia prędkości, należy rozpocząć pracę z wolnymi ustawieniami, sprawdzić rezultaty, po czym dostosować wyższe ustawienia w razie konieczności

## Szlifowanie krawędzi

- Przenośna szlifierka obrotowa to efektywne urządzenie do szlifowania krawędzi na rozmaitych powierzchniach płaskich (F)
  - Zawsze należy się upewnić, że przedmiot obróbki został bezpiecznie przymocowany
  - Przewodnica krawędziowa (16) może być podłączona do szlifierki, w razie konieczności (J). Przyłóż przewodnic krawędziową i przymocuj w wymaganej pozycji przy użyciu śrub blokujących (17) (Rys. II)
- Umieść szlifierkę z podstawą (8) płasko na materiale obróbki, zaś z tuleją szlifierską skierowaną ku dolowi (9), upewnij się, że masz wystarczająco miejsca na długość skoku szlifierki obrotowej w górę i w dół
  - Uruchom najpierw system ekstrakcji pyłu, (jeśli został podłączony), po czym włącz szlifierkę
  - Wykonuj części krótkich pociągnięć wzdłuż krawędzi obrabianego przedmiotu, niż długich rzadziej
  - Pozwól szlifierce na swobodną pracę, nie stosuj siły nacisku na urządzenie. Nie zastosowanie się do tych instrukcji może doprowadzić do uszkodzenia materiału obróbki, narzędzia oraz zranienia operatora

**Uwaga:** Podczas korzystania z przewodnicy krawędziowej, należy zacząć szlifowanie od krawędzi. Zaczni od przednich krawędzi stopniowo przechodząc na powierzchnie elementu obróbki.

## Szlifowanie na stole roboczym

**⚠ OSTRZEŻENIE:** Zawsze należy się upewnić, że urządzenie jest wyłączone od zasilania, zaś wtyczka wyciągnięta z gniazda, przed zainstalowaniem urządzenia na stole roboczym.

- Powwyższe urządzenie jest efektywne podczas szlifowania krawędzi rozmaitych elementów obróbki, kiedy produkt jest przymocowany do stołu roboczego (G)
- Umieść matę(14) blisko krawędzi na stole roboczym, będącym stabilnie ustawionym
  - Ustaw szlifierkę w odwróconej pozycji na macie i przymocuj do stołu, przy użyciu zacisków montażowych (13), upewniasz się, że szlifierka jest bezpiecznie przymocowana do stołu roboczego poprzez dokręcenie pokręteł motylkowych zacisków stołu
  - Podłącz wąż do systemu ekstrakcji pyłu dzięki adapterowi (w przypadku konieczności odsysania pyłu)
- Uwaga:** Zaleca się, aby korzystano z kompatybilnego systemu odsysania pyłu, podczas kiedy urządzenie jest w pozycji odwróconej na stole roboczym.
- Wybierz odpowiednią prędkość na pokrętko regulacji prędkości (1)
  - Uruchom system ekstrakcji pyłu, (jeśli jest podłączony, następnie uruchom szlifierkę
  - Użyj podstawy szlifierskiej, (8) jako blatu stabilizującego element obróbki
  - Pozwól szlifierce na swobodną pracę, bez zbędnego nacisku na tuleję szlifierską (9). W przeciwnym razie, może dojść do uszkodzenia przedmiotu obróbki, urządzenia, a nawet zranienia operatora

## Wskazówki dotyczące szlifowania

- Podczas podłączenia szlifierki do system ssącego, należy najpierw uruchomić system ekstrakcji pyłu, po czym urządzenie, w razie potrzeby wyłączenia najpierw należy wyłączyć urządzenie, po czym system odsysania pyłu
- Przymocować zaciski do stołu warsztatowego, jeśli tylko istnieje taka możliwość, upewniasz się przy tym, że obrabiany element nie zostanie przesunięty podczas pracy

**⚠ OSTRZEŻENIE:** Nadmierny nacisk nie prowadzi do zwiększenia wydajności szlifowania, lecz do silniejszego zużycia się elektronarzędzia i tulei ściernej (9) i może uszkodzić urządzenie. Wydajność i jakość wykończenia jest zależna od wyboru tulei ściernej (patrz "Dane techniczne, odpowiedni rodzaj tulei szlifującej").

## Szlifowanie metalu

⚠ **OSTRZEŻENIE:** Podczas szlifowania metalu należy podjąć dodatkowe środki ostrożności.

- Zawsze podłączaj szlifierkę za pomocą odpowiedniego RCD
  - Zawsze podłączaj urządzenie do odpowiedniego systemu ssącego
  - Wyczyść urządzenie przed przystąpieniem do szlifowania metalu
- ⚠ **OSTRZEŻENIE:** Gorące cząsteczki metalu i iskry mogą spowodować zapalenie resztkowego pyłu. Zawsze należy dokładnie wyczyścić urządzenie przed zmianą rodzaju szlifowania z drewna na metal i odwrotnie.
- Nie należy używać papieru ściernego (tarczy szlifierskiej), którym obrabiano metal do obróbki drewna. Resztkowe cząsteczki metalu pozostałe na tarczy szlifierskiej mogą doprowadzić do zarysowania i uszkodzenia powierzchni obrabianego przedmiotu.

## Akcesoria

Ogromny zakres akcesoriów, min. talerze i tarcze szlifierskie z różnym rodzajem uziarnienia są dostępne w sprzedaży u dystrybutora Triton. Dla własnego bezpieczeństwa należy używać tylko oryginalnych akcesoriów Triton. Zakup części zamiennych jest dostępny na stronie internetowej [toolsparesonline.com](https://toolsparesonline.com)

## Konserwacja

⚠ **OSTRZEŻENIE:** Przed przeprowadzeniem kontroli, czynności konserwacyjnych lub czyszczenia zawsze odłączaj urządzenie od źródła zasilania.

- Niniejsze narzędzie zostało wyprodukowane przy użyciu wiodącej klasy komponentów i wykorzystaniu inteligentnych układów, które chronią narzędzie i jego element. Przy normalnej obsłudze powinno zapewnić operatorowi długi czas użytkowania

## Kontrola rutynowa

- Regularnie sprawdzać, czy wszystkie śruby mocujące są odpowiednio dokręcone. Wibracje mogą powodować ich poluzowanie.
- Sprawdzić przewód zasilania narzędzia przed każdym użyciem pod kątem uszkodzeń lub zużycia. Naprawy powinny być przeprowadzane przez autoryzowany punkt serwisowy Triton. Dotyczy to również przedłużaczy stosowanych przy urządzeniu.

## Smarowanie

- Należy regularnie smarować wszystkie ruchome części urządzenia niewielką ilością środka smarnego w sprayu.

## Czyszczenie

- Należy zawsze dbać o czystość urządzenia. Brud i kurz powodują szybsze zużycie elementów wewnętrznych i skracają okres eksploatacji urządzenia.
- Należy czyścić korpus urządzenia miękką szcztotką lub suchą ściereczką.
- Do czyszczenia elementów plastikowych nie należy używać środków żrących. Jeśli czyszczenie na sucho nie przynosi wystarczających efektów, zalecane jest użycie wilgotnej szmatki i łagodnego detergentu.
- Nie wolno dopuszczać do kontaktu urządzenia z wodą.
- Upewnij się, że urządzenie jest całkowicie suche przed ponownym włączeniem.
- Jeśli to możliwe, przedmuchać otwory wentylacyjne czystym powietrzem sprężonym (w stosownych przypadkach)

## Powierzchnia gumowego bębna szlifierskiego

- Powierzchnia gumowego bębna szlifierskiego (15) musi być czysta, wolna od brudu oraz innych materiałów, jak włosów, włókien, bądź piasku itp.
- W celu uzyskania odpowiedniej przyczepności dla montowanych akcesoriów, powierzchnia gumowego bębna szlifierskiego musi być w doskonałym stanie
- Podczas intensywnego stosowania, bęben szlifierski może ulec zużyciu, a co za tym idzie nie zapewni odpowiedniej średnicy przyczepności
- **Uwaga :** Wyżej opisany gumowy bęben szlifierski NIE podlega gwarancji. Należy wymienić bęben, który może zostać nabyty w autoryzowanym centrum serwisowym Triton .

## Czyszczenie portu odsysania pyłu

- Okazjonalnie zaleca się obdlokowanie, bądź wyczyszczenie portu i kanału odsysania pyłu
1. Aby wyczyścić port oraz kanał, należy najpierw zdjąć gumowy bęben szlifierski (15) (patrz 'Mocowanie tulei szlifierskiej')
  2. Przy pomocy wkrętaka (brak w zestawie), wykręć wkręty mocujące podstawę szlifierską (8) i zdejmij ją. Należy zachować ostrożność, aby nie poluzować podkładek znajdujących się pod podstawą szlifierską na każdym otworze (H)
  3. Zdejmij metalową płytkę z podstawy szlifierskiej, aby odsonić kanał odsysania pyłu (I)
  4. Wyczyść wnętrze kanału, portu odsysania pyłu oraz wnękę pasa pędzlem, a następnie sprężonym powietrzem
  5. Po wyczyszczeniu, należy nałożyć podstawę szlifierską oraz dokręcić wkręty
  6. Nałóż ponownie tuleje szlifierską
- ⚠ **OSTRZEŻENIE:** Po wyczyszczeniu, upewnij się, że wszystkie podkładki, wkręty są w miejscu odpowiednio dokręcone przed ponownym użyciem szlifierki. Jeśli urządzenie nadmiernie wibruje i oddaje nieznanne dźwięki, należy przerwać pracę i wyjąć wtyczkę z zasilania. Wykonaj procedurę czyszczenia ponownie, aby upewnić się, że wszystkie części zostały poprawnie założone. Jeśli wibracje i nieznanne dźwięki nie ustąpiły należy się skonsultować z kwalifikowanym technikiem serwisowym Triton.

## Przechowywanie

- Należy przechowywać narzędzie w bezpiecznym, suchym miejscu niedostępnym dla dzieci.

## Kontakt

W celu uzyskania porady technicznej lub naprawy, skontaktuj się z infolinią pod numerem (+44) 1935 382 222

**Strona online:** [tritontools.com/pl-PL/Support](https://tritontools.com/pl-PL/Support)

### Adres GBR:

Toolstream Ltd.  
Boundary Way  
Lufton Trading Estate  
Yeovil, Somerset  
BA22 8HZ, Wielka Brytania

### Address UE:

Toolstream B.V.  
De Keten  
00004  
5651 GJ  
Eindhoven, Holandia

## Utylizacja

Należy zawsze przestrzegać przepisów krajowych dotyczących utylizacji elektronarzędzi, które nie są już funkcjonalne i nie nadają się do naprawy.

- Nie wyrzucaj elektronarzędzi lub innych odpadów elektrycznych i elektronicznych (WEEE) wraz z odpadami komunalnymi.
- Skontaktuj się z władzami lokalnymi zajmującymi się utylizacją odpadów, aby uzyskać informacje na temat prawidłowego sposobu utylizacji elektronarzędzi

# Rozwiązywanie problemów

Problem	Możliwa przyczyna	Rozwiązanie
Brak reakcji po wciśnięciu przycisku ON/OFF (2)	Brak mocy	Sprawdź zasilanie
	Uszkodzony przełącznik ON/OFF	Należy wymienić przełącznik ON/OFF w autoryzowanym serwisie Triton
Silnik wyłącza się, zauważalna utrata wydajności, widoczne iskry i/lub zapach spalenizny	Zużyte szczotki węglowe	Należy wymienić szczotki w autoryzowanym serwisie Triton
Brak reakcji po włączeniu przełącznika ON/OFF (2), pomimo iż silnik pracuje	Biegi nie zostały załączone	Skonsultuj się z centrum serwisowym Triton
Powolne usuwanie materiału	Tuleja szlifierska (9) zbyt delikatna, bądź zużyta	Natóż tuleję szlifierską z uziarnieniem gruboziarnistym
	Ustawiona zbyt niska prędkość	Zwiększ prędkość urządzenia
Widoczne zarysowania po szlifowaniu	Tuleja szlifierska zbyt zgrubna	Zamontuj tuleję szlifierską z drobniejszym uziarnieniem
	Nieusunięta wystarczająca ilość materiału	Kontynuuj szlifowanie
Znaki spalania na przedmiocie obróbki	Tuleja szlifierska niekompatybilna z materiałem	Zamontuj prawidłową tuleję szlifierską
	Prędkość narzędzia ustawiona zbyt wysoka	Zmniejsz prędkość urządzenia
	Zastosowany zbyt duży nacisk na szlifierkę	Użyj mniejszego nacisku podczas przesuwania urządzenia
Wytwarzana nadmierna ilość pyłu	Niepodłączony system ekstrakcji pyłu, bądź niewłączony	Sprawdź podłączenia węża, adapter portu odsysania pyłu (7) (jeśli jest w użyciu) oraz upewnij się, że system ekstrakcji pyłu jest włączony
	Nie działający system ekstrakcji pyłu; zablokowany system ekstrakcji pyłu	Sprawdź system ekstrakcji pyłu; odblokuj jeśli został zapchany (patrz 'Czyszczenie portu odsysania pyłu'. Skonsultuj się z centrum serwisowym Triton, jeśli problem nie ustąpił.)

## Gwarancja

W celu rejestracji gwarancji odwiedź naszą stronę internetową [www.tritontools.com](http://www.tritontools.com)\* i podaj odpowiednia dane.

## Protokół zakupu

Data zakupu: \_\_\_/\_\_\_/\_\_\_

Model: **TSPSP650**

Należy zachować paragon jako dowód zakupu

Precyzyjne Elektronarzędzia Triton gwarantują nabywcy tego produktu pewność, iż w razie usterki bądź uszkodzenia z powodu wad materiałowych lub jakości wykonania, w ciągu 3 lat od daty zakupu, firma Triton naprawi bądź według własnego uznania bezpłatnie wymieni uszkodzoną część.

Powyższa gwarancja nie pokrywa szkód spowodowanych naturalnym zużyciem, nieprawidłowym użytkowaniem, nieprzestrzeganiem zaleceń obsługi, wypadkami lub wykorzystaniem urządzenia do celów komercyjnych.

\* Zarejestruj swój produkt w ciągu 30 dni od daty zakupu.

Obowiązują zasady i warunki użytkowania.

Powyższe postanowienia nie mają wpływu na prawa ustawowe klienta.

# Перевод исходных инструкций

## Введение

Благодарим за выбор изделия Triton. В этом руководстве содержится информация, необходимая для безопасной и эффективной эксплуатации изделия. Данное изделие отличается некоторыми уникальными особенностями, и даже если вы уже знакомы с аналогичными изделиями, важно внимательно прочитать это руководство и понять содержащиеся в нем инструкции. Проследите за тем, чтобы каждый пользователь изделия ознакомился с руководством и понял его. Храните руководство рядом с изделием на случай, если оно понадобится.

## Символы и обозначения

На паспортную табличку инструмента могут быть нанесены определенные символы и обозначения. Они дают важную информацию об изделии или содержат инструкции по эксплуатации.



Пользоваться средствами защиты органов слуха  
Пользоваться средствами защиты органов зрения  
Пользоваться средствами защиты органов дыхания  
Пользоваться средствами защиты головы



Пользоваться средствами защиты рук



**ВНИМАНИЕ!** Прочитайте руководство чтобы снизить риск получения травм.



Требуется или рекомендуется вытяжка пыли.



Использовать только в помещении!



Перед регулировкой, сменой оснастки, чисткой, обслуживанием и хранением прибора всегда отключайте его от сети питания.



Конструкция класса II (двойная изоляция для дополнительной защиты)



**Охрана окружающей среды**  
Утилизация электротехнических изделий с бытовым мусором запрещена. Такие изделия сдают в пункты утилизации, имеющие специальное оборудование. За рекомендациями по утилизации обращайтесь в местные органы власти или к дилеру.



Соответствует применимым законодательным актам и нормам безопасности.



Осторожно!



Ядовитые пары или газы!

## Сокращения технических терминов

<b>В</b>	Напряжение (В)
~	Переменный ток
<b>А, мА</b>	Ампер, миллиампер
<b>n<sub>0</sub></b>	Частота вращения без нагрузки
<b>в/мин</b>	Число вращательных или возвратно-поступательных движений в минуту
<b>Ø</b>	Диаметр
<b>Гц</b>	Герц
<b>Вт, кВт</b>	Ватт, киловатт
<b>мин<sup>-1</sup></b>	Число операций в минуту
<b>дБ(А)</b>	Уровень звука в децибелах (взвешенный по А)
<b>м/с<sup>2</sup></b>	Метры в секунду в квадрате (значение вибрации)

## Технические характеристики

Номер модели	TSPSP650
Напряжение	230-240 В переменного тока, 50/60 Гц
Мощность	650 Вт
Частота вращения без нагрузки	1800–3200 мин <sup>-1</sup>
Частота колебания шпинделя	50–90 мин <sup>-1</sup>
Ход	6,5 мм
Длина втулки	76 мм
Диаметры втулок	Ø13 мм, Ø19 мм, Ø26 мм, Ø38 мм
Класс защиты	
Степень защиты оболочки	IP20
Длина электрического шнура	2 м
Габаритные размеры (Д x Ш x В)	262 x 84 x 261 мм
Масса	2,2 кг

Ввиду того, что продукция постоянно совершенствуется, технические характеристики изделий Triton могут изменяться без уведомления.

### Информация по шуму и вибрации

Уровень звука излучения L <sub>ра</sub>	86,4 дБ(А)
Корректированный уровень звуковой мощности L <sub>чвм</sub>	97,4 дБ(А)
Погрешность К	3 дБ(А)
Взвешенное вибрационное ускорение a <sub>v</sub>	4,874 м/с <sup>2</sup>
Погрешность К	1,5 м/с <sup>2</sup>

Уровень звука, воздействующего на оператора, может превышать 85 дБ(А). Использование средств защиты органов слуха обязательно.

**⚠ ВНИМАНИЕ!** Если уровень звука превышает 85 дБ(А), то обязательно пользуйтесь средствами защиты органов слуха. При необходимости ограничивайте продолжительность работы. Если шум вызывает дискомфорт даже при использовании средств защиты, незамедлительно выключите инструмент и убедитесь, что защита надежна правильно, а ее звукоизолирующие характеристики соответствуют уровню звука, вырабатываемого инструментом.

**⚠ ВНИМАНИЕ!** Воздействие вибрации инструмента на человека может вызвать потерю чувствительности, онемение, покалывание и снижение способности удерживать предметы. Продолжительное воздействие чревато развитием хронических заболеваний. При необходимости ограничивайте продолжительность работы и пользуйтесь антивибрационными перчатками. Не работайте в ручном режиме, если температура ниже комфортного уровня: в таких условиях вибрация оказывает более выраженное воздействие на организм. Продолжительность и периодичность работы с инструментом можно рассчитать по значениям, которые приведены в разделе «Технические характеристики».

**⚠ ВНИМАНИЕ!** Действительная вибрация во время эксплуатации электроинструмента может отличаться от заявленных значений в зависимости от эксплуатации инструмента. В условиях фактической эксплуатации не обязательно разрабатывать меры защиты оператора на основании оценки воздействия (с учетом всех компонентов рабочего цикла: продолжительности простоя и продолжительности работы на холостом ходу в дополнение к времени работы).

Заявленное общее значение вибрации измерено в соответствии со стандартным методом и может применяться для сравнения одного инструмента с другим. Кроме того, заявленное общее значение вибрации может применяться для предварительной оценки воздействия.

Указанные в характеристиках уровни звука получены в соответствии с международными стандартами. Значения справедливы для инструмента в нормальном рабочем состоянии, эксплуатируемого в нормальных условиях. Нарушение регламента обслуживания, порядка сборки или эксплуатации инструмента может являться причиной повышения уровня звука и вибраций. На сайте [www.osha.europa.eu](http://www.osha.europa.eu) представлена информация по уровням звука и вибраций на рабочем месте, которая может оказаться полезной для пользователей, работающих с

инструментом в бытовых условиях в течение продолжительного времени.

## Общие правила техники безопасности при работе с электроинструментом

**⚠ ВНИМАНИЕ!** Ознакомьтесь со всеми предупреждениями, инструкциями, иллюстрациями и техническими характеристиками, относящимися к данному электроинструменту. Пренебрежение приведенными ниже инструкциями чревато поражением электрическим током, пожаром и/или серьезными травмами.

Сохраните все предупреждения и инструкции на будущее.

В разделе, посвященном технике безопасности, термин «электроинструмент» относится как к проводным (работающим от сети), так и к беспроводным (работающим от аккумулятора) инструментам.

- 1) Безопасность на рабочем месте**
  - a) Следите за чистотой и освещенностью рабочего места.** Беспорядок или недостаток освещения повышают вероятность несчастного случая.
  - b) Не работайте с электроинструментом во взрывоопасной атмосфере (например, в присутствии воспламеняющихся жидкостей, газов или пыли).** Электроинструмент вырабатывает искры, которые могут воспалить пыль или пары.
  - c) Во время работы с электроинструментом не позволяйте детям и посторонним лицам приближаться к вам.** Они будут отвлекать ваше внимание, и вы можете потерять управление.
- 2) Электробезопасность**
  - a) Вилки электроинструмента должны соответствовать розеткам.** Категорически запрещается вносить какие-либо изменения в конструкцию вилки. Не разрешается подключать заземленный электроинструмент к сети через переходники. Применение стандартных вилок и соответствующих им розеток снижает риск поражения электрическим током.
  - b) Не касайтесь заземленных предметов: трубопроводов, радиаторов, электрических плит и холодильников.** Если ваше тело заземлено, то риск поражения электрическим током увеличивается.

- c) Берегите электроинструмент от дождя и влаги.** Попадание воды внутрь электроинструмента увеличивает риск поражения электрическим током.
- d) Не допускайте повреждения электрического шнура.** Запрещается переносить, тянуть или отключать электроинструмент от сети за шнур. Берегите шнур от нагрева, контакта с маслом, острыми кромками или движущимися деталями. Поврежденный или запутанный шнур увеличивает риск поражения электрическим током.
- e) При работе с электроинструментом вне помещения пользуйтесь удлинителем, пригодным для эксплуатации в таких условиях.** Применение удлинителя, пригодного для эксплуатации вне помещения, снижает риск поражения электрическим током.
- f) Если работа во влажных условиях неизбежна, то электроинструмент следует подключать к источнику питания, снабженному устройством защитного отключения (УЗО).** Применение УЗО снижает риск поражения электрическим током.
- g) При эксплуатации инструмента на территории Австралии или Новой Зеландии рекомендуется ВСЕГДА включать в цепь питания устройство защитного отключения (УЗО) с номинальным остаточным током 30 мА или меньше.**
- h) Используйте подходящий удлинитель.** Следите за тем, чтобы удлинитель находился в хорошем состоянии. При использовании удлинителя убедитесь, что сечение его проводника соответствует потребляемому току инструмента. Шнур слишком маленького сечения вызовет падение напряжения и, как следствие, потерю мощности и перегрев.
- 3) Личная безопасность**
  - a) Будьте внимательны, следите за тем, что делаете и руководствуйтесь здравым смыслом при работе с электроинструментом.** Запрещается пользоваться электроинструментом, если вы устали или находитесь под действием алкоголя, наркотиков или лекарственных препаратов. Даже кратковременное ослабление внимания во время работы чревато тяжелой травмой.
  - b) Пользуйтесь средствами индивидуальной защиты.** Всегда пользуйтесь средствами защиты органов зрения. Грамотное применение средств защиты (например, респиратора, нескользящей защитной обуви, каски или средств защиты органов слуха) снижает риск травм.
  - c) Не допускайте непреднамеренного включения.** Перед тем как подключить инструмент к розетке или аккумулятору, поднимать или переносить его убедитесь, что выключатель питания находится в положении «выключено». Если держать палец на выключателе питания при переносе инструмента или заряджании инструмента с включенным выключателем питания, то риск несчастного случая увеличивается.
  - d) Убирайте регулировочные ключи прежде чем включать электроинструмент.** Гачечный ключ, присоединенный к вращающейся части электроинструмента, может нанести травмы.
  - e) Не тянитесь за пределы комфортной зоны досягаемости.** Твердо стойте на ногах и сохраняйте равновесие. Это позволит увереннее контролировать инструмент в неожиданных ситуациях.
  - f) Одевайтесь надлежащим образом.** Свободная одежда и украшения не допускаются. Держите волосы и одежду подальше от движущихся частей инструмента. Свободную одежду, украшения или длинные волосы может наматывать на движущиеся части.
  - g) Обязательно пользуйтесь устройствами вытяжки и сбора пыли, если конструкцией предусмотрены соединители для них.** Соблюдайте правила их эксплуатации. Такие устройства снижают риски, связанные с пылью.
  - h) Не позволяйте себе расслабляться и игнорировать правила безопасности по мере набора опыта работы с инструментами.** Получить тяжелую травму при неосторожном обращении – дело доли секунды.
- 4) Эксплуатация электроинструмента и уход за ним**
  - a) Не допускайте перегрузки электроинструмента.** Правильно подбирайте инструмент под свои задачи. Грамотно подобранный инструмент будет работать качественнее и безопаснее без превышения номинальной нагрузки.
  - b) Не работайте с электроинструментом, если выключатель питания не включается или не выключается.** Любой электроинструмент с неработающим выключателем опасен и подлежит ремонту.
  - c) Отсоединяйте электроинструмент от розетки или аккумулятора (если он съемный), прежде чем выполнять настройки, менять оснастку или укладывать его на хранение.** Данная мера предосторожности исключает случайный пуск инструмента.
  - d) Храните электроинструмент в местах, недоступных для детей, и не позволяйте работать с ним лицам, не знакомым с электроинструментом или не изучившим данные инструкции.** Электроинструмент опасен в неумелых руках.

- e) Обслуживайте электроинструмент и оснастку. Следите за тем, чтобы не было биения или заедания движущихся частей, сломанных деталей или признаков других неисправностей, способных повредить на работу электроинструмента. Если инструмент поврежден, то эксплуатация разрешается возобновлять только после ремонта. Причиной многих несчастных случаев становится неудовлетворительное обслуживание электроинструмента.
- f) Следите за чистой режущей поверхностью и состоянием его режущих кромок. Если режущий инструмент надлежащим образом обслужен, то снижается вероятность защемления и облегчается управление.
- g) Соблюдайте эти инструкции при эксплуатации электроинструмента, оснастки и режущего инструмента. Учитывайте условия и особенности предстоящей работы. Использование электроинструмента не по назначению может быть опасным.
- h) Следите за тем, чтобы рукоятки и другие поверхности хвата были сухими и чистыми. Наличие на них масла и консистентной смазки не допускается. Скользкие рукоятки и прочие поверхности хвата опасны и не обеспечивают надежного контроля за инструментом в неожиданной ситуации.
- 5) Ремонт
- a) Ремонт электроинструмента должен производиться квалифицированным специалистом с использованием идентичных запчастей. Только в этом случае ремонт электроинструмента не скажется на его безопасности отрицательным образом.

## Правила техники безопасности при работе со шлифовальными машинками

### ⚠ ВНИМАНИЕ!

- Держите электроинструмент только за изолированные рукоятки или захватные поверхности, так как шлифовальная лента или иной абразивный инструмент может коснуться шнура питания. Надразнение находящегося под напряжением проводника может привести к тому, что неизолированные металлические детали инструмента тоже окажутся под напряжением. Это чревато поражением электрическим током.
  - Крепите заготовку к устойчивой опоре с помощью струбцины или других поджимающих средств. Заготовка, удерживаемая рукой или прижимаемая к телу, недостаточно хорошо зафиксирована и может выскочить из-под контроля.
- 1) ВСЕГДА пользуйтесь подходящими средствами защиты, включая респиратор с классом защиты не ниже FFP2, средства защиты органов зрения и слуха.
  - 2) Проследите за тем, чтобы все люди, находящиеся вблизи рабочего места, имели подходящие средства индивидуальной защиты.
  - 3) Соблюдайте особую осторожность при обработке древесины определенных пород (например, бука, дуба, красного дерева и тика). Выделяемая пыль токсична и может вызвать острые реакции.
  - 4) КАТЕГОРИЧЕСКИ запрещается обрабатывать материалы, содержащие асбест. Если вы не уверены в том, содержит ли заготовка асбест, проконсультируйтесь с квалифицированным специалистом.
  - 5) ЗАПРЕЩАЕТСЯ шлифовать заготовки из магния или сплавов, содержащих большое количество магния.
  - 6) Помните о том, что на обрабатываемых поверхностях могло быть нанесено лакокрасочное или какое-либо другое покрытие. Пыль, производимая при шлифовании таких покрытий, может быть ядовитой (или может представлять какую-либо иную опасность). До 1960 года при строительстве зданий широко применялись краски на свинцовой основе.
  - 7) Пыль, производимая при шлифовании таких красок, особенно вредна для детей, беременных женщин и лиц, страдающих гипертензией. НЕ ПОЗВОЛЯЙТЕ им находиться рядом с рабочей зоной (вне зависимости от наличия у них средств индивидуальной защиты).
  - 8) По возможности пользуйтесь системой вытяжки для удаления пыли и отходов.
  - 9) Соблюдайте особую осторожность при обработке дерева и металла одним и тем же инструментом. Искры, возникающие при обработке металла, могут воспламенить древесную пыль. Во избежание пожара ВСЕГДА тщательно очищайте инструмент.
  - 10) Мешок или контейнер для пыли (если имеется) рекомендуется опустошать почаще во время работы, перед перерывами и по завершении шлифования. Некоторые пыли взрывоопасны. НЕ ДОПУСКАЙТЕ контакта пыли с открытым пламенем. При контакте частиц масла или воды с пылью может произойти спонтанное возгорание. При утилизации материалов соблюдайте осторожность и требования местных норм и правил.

- 11) Рабочие поверхности и абразивный инструмент сильно нагреваются во время работы. Если возникли признаки перегрева рабочей поверхности (дым или прижог), остановите обработку и дайте заготовке остыть. Не касайтесь рабочей поверхности и абразивного инструмента до тех пор, пока не пройдет какое-то время, достаточное для их охлаждения.
- 12) ЗАПРЕЩАЕТСЯ касаться движущегося абразивного инструмента.
- 13) ОБЯЗАТЕЛЬНО отключайте шлифовальную машину перед тем как положить ее.
- 14) ЗАПРЕЩАЕТСЯ применять этот инструмент для влажного шлифования. Попадание жидкостей в корпус электродвигателя чревато тяжелым поражением электрическим током!
- 15) Перед заменой абразивного инструмента ВСЕГДА отключайте машину от сети.
- 16) Даже соблюдение всех правил эксплуатации этого инструмента не гарантирует отсутствия остаточных факторов риска. Если у вас возникли сомнения по поводу безопасной эксплуатации этого инструмента – воздержитесь от работы с ним.

## Знакомство с изделием

1. Ручка регулировки скорости
2. Выключатель
3. Отверстия для крепления к верстаку
4. Отверстия для охлаждения электродвигателя
5. Отверстия для направляющей
6. Шнур питания
7. Переключник к соединению для отвода пыли (съёмный)
8. Шлифовальная подошва
9. Шлифовальная втулка
10. Стопорный винт
11. Шайба барабана
12. Обрезиненные рукоятки
13. Зажимы для крепления к верстаку
14. Подкладка для крепления к верстаку
15. Барабан для шлифовальной втулки
16. Направляющая
17. Винт крепления направляющей (2 шт.)
18. Дополнительные шлифовальные втулки/барабаны

## Назначение

Компактная, портативная шлифовальная машинка с плавающим шлипиделем для легких операций шлифования кромок, шлифования сложных внутренних поверхностей и обработки по шаблону. Инструмент можно держать в руках или закрепить на верстаке.

Инструмент следует использовать ТОЛЬКО по прямому назначению. Любая операция, выходящая за рамки описанного в этом руководстве служебного назначения изделия, будет считаться нецелевым использованием. Ответственность за любой ущерб и травмы в результате нецелевого использования будет нести оператор, а не производитель. Также производитель не будет нести ответственность за любые изменения, внесенные в конструкцию инструмента, а также за ущерб, который повлечет за собой такие изменения.

Не для коммерческого использования.

## Распаковывание инструмента

- Аккуратно распакуйте и осмотрите новый инструмент. Ознакомьтесь со всеми характеристиками и функциями.
- Убедитесь, что все детали инструмента находятся в хорошем состоянии. Если какие-либо детали отсутствуют или повреждены, то эксплуатация инструмента разрешается только после замены таких деталей.

## Перед эксплуатацией

⚠ ВНИМАНИЕ! Прежде чем устанавливать или менять какую-либо оснастку или выполнять регулировку, отключите инструмент от сети питания.

### Выбор шлифовальной втулки по зернистости

- Существуют несколько классов шлифовальных втулок: крупнозернистые (зернистость F60), среднезернистые (зернистость F120) и мелкозернистые (зернистость F240).
- Крупнозернистые абразивный инструмент применяется для черновой обработки, среднезернистый для полустиховой обработки, а мелкозернистый – для чистовой обработки.



- Чтобы качество обработки всегда оставалось высоким, используйте только высококачественными шлифовальными втулками.
- Оптимальную зернистость абразива для каждой конкретной операции рекомендуется определять путем пробных проходов по ненужному куску материала. Если шлифованием не удается убрать какие-либо поверхностные дефекты заготовки, попробуйте либо выполнить черновой проход абразивом с более крупным размером зерна (а затем вернуться к исходной зернистости), либо удалить дефекты свежим куском шлифовальной бумаги и сделать работу абразивом выбранной (более мелкой) зернистости.

## Установка шлифовальной втулки

**⚠ ВНИМАНИЕ!** Перед установкой или демонтажем шлифовальных втулок всегда отключайте инструмент и отсоединяйте его от источника питания.

Примечание. ЗАПРЕЩАЕТСЯ продолжать эксплуатацию изношенных, порванных или сильно загрязненных шлифовальных втулок. Перед шлифованием следует обязательно удалить все посторонние предметы (например, гвозди и шурупы) из заготовки.

**⚠ ВНИМАНИЕ!** Не рекомендуется обрабатывать дерево втулкой, которая ранее использовалась по металлу. В противном случае на деревянной поверхности останутся задиры.

1. Выкрутите стопорный винт (10) и снимите шайбу барабана (11)(D).
2. Вытащите барабан для шлифовальной втулки (15).
3. Наденьте шлифовальную втулку (9) на барабан (A).
4. Установите барабан обратно на шпиндель (B).
5. Установите на место шайбу барабана (C) и закрепите ее стопорным винтом (D).

Примечание. Схема сборки показана на рисунке 1.

## Вытяжка пыли

**⚠ ВНИМАНИЕ!** Если отходы обработки содержат вредные вещества (частицы старой краски, лака, покрытий и т.д.), то шлифовальную машину следует обязательно подключать к подходящему пылесосу или системе вытяжки. Опасную пыль утилизируют в соответствии с нормами и правилами.

**⚠ ВНИМАНИЕ!** Примите особые меры защиты от опасных и ядовитых пылей при шлифовании поверхностей, окрашенных красителями на свинцовой основе, дерева и металлов (особенно если вы не знаете точно, с какими веществами имеете дело). Все лица, входящие в рабочую зону, должны пользоваться респираторами, предназначенными для защиты от соответствующей ядовитой пыли и паров. Детям и беременным женщинам ЗАПРЕЩАЕТСЯ входить в рабочую зону. ЗАПРЕЩАЕТСЯ есть, пить или курить на рабочем участке.

• Шлифовальную машину можно подключать к шлангу бытового пылесоса или цеховой системы вытяжки. Это предпочтительный и самый эффективный метод подавления пыли.

- Присоедините подходящий вытяжной шланг к переходнику для отвода пыли (7).
- Чтобы снять переходник, поверните его против часовой стрелки так, чтобы штифты совместились с пазами в соединителе для отвода пыли, после чего вытащите его.
- Чтобы установить переходник на место, совместите его штифты с пазами в соединителе для отвода пыли, вставьте его и поверните по часовой стрелке до фиксации (E).
- Портативную шлифовальную машину можно использовать без переходника соединителя для отвода пыли и подходящей системы вытяжки. Однако рекомендуется всегда использовать вытяжку.

**⚠ ВНИМАНИЕ!** При работе с металлом следует пользоваться подходящей цеховой системой вытяжки пыли. Переходя от обработки дерева к обработке металла или наоборот, всегда ТЩАТЕЛЬНО очищайте инструмент.

**Примечание.** Мешок для сбора пыли не поставляется с этим инструментом, потому что для эффективного отвода пыли требуется система вытяжки. Присоединение стороннего мешка для сбора пыли к переходнику соединителя для отвода пыли не обеспечит эффективного удаления пыли и, соответственно, не рекомендуется.

## Эксплуатация

**⚠ ВНИМАНИЕ!** При работе с этим инструментом ВСЕГДА пользуйтесь подходящими средствами защиты органов зрения, дыхания и слуха. Пользуйтесь подходящими перчатками.

**⚠ ВНИМАНИЕ!** Запрещается касаться движущей шлифовальной втулки (9).

**Примечание.** По возможности всегда крепите заготовку к верстаку струбцинами.

**⚠ ВНИМАНИЕ!** ВСЕГДА меняйте абразивный инструмент, не дожидаясь полного износа. Нарушение этих мер предосторожности может привести к повреждению барабана шлифовальной втулки (15), в результате чего втулки не будут крепиться надлежащим образом.

## Включение и выключение

**⚠ ВНИМАНИЕ!** Запрещается включать машинку, если шлифовальная втулка (9) контактирует с заготовкой или любой другой поверхностью. Оператор может потерять контроль над инструментом, что чревато тяжелой травмой.

1. Присоедините шнур питания к розетке.
2. Чтобы включить шлифовальную машинку, переведите выключатель (2) в положение «I».
3. Чтобы выключить шлифовальную машинку, переведите выключатель (2) в положение «O».

**⚠ ВНИМАНИЕ!** Не кладите инструмент до тех пор, пока он полностью не прекратит вращиваться. После работы всегда отключайте вилку от источника питания.

## Регулировка частоты вращения

**⚠ ВНИМАНИЕ!** Запрещается крепить к барабану для шлифовальной втулки (15) какую-либо оснастку, не соответствующую максимальной частоте вращения устройства без нагрузки (смотрите раздел «Технические характеристики»).

• Частоту вращения этой шлифовальной машинки можно регулировать, что позволяет применять самую различную оснастку и работать с самыми разными материалами, заготовками и объектами.

**Примечание.** Ручку регулировки скорости (1) можно перемещать вне зависимости от того, включена ли машинка. Если ручка стоит на «1», частота вращения машинки без нагрузки составит 1800 об/мин. Если ручка стоит на «6», будет развита максимальная частота вращения без нагрузки 3200 об/мин.

- Чтобы отрегулировать скорость, переведите ручку регулировки в нужное положение.
- Предусмотрены несколько ступеней регулировки (1-6), причем «1» – минимальная частота вращения, а «6» – максимальная.
- Если возникли сомнения в правильности настройки частоты вращения для предстоящей операции, начните с более низкой частоты, оцените результаты и, при необходимости, увеличьте частоту.

## Шлифование кромок

- Портативная шлифовальная машинка эффективно обрабатывает кромки различных плоских заготовок (F).
- Всегда следите за тем, чтобы заготовка была надежно закреплена. При необходимости используйте зажимы.
- При необходимости на машинку можно установить направляющую (16) (J). После установки направляющую закрепляют в желаемом положении крепежными винтами (17) (рисунк 11).

1. Поставьте машинку так, чтобы шлифовальная подошва (8) лежала на заготовке всей плоскостью, а шлифовальная втулка (9) была направлена вниз. Обязательно оставьте достаточно места для вертикального перемещения плавающего шпинделя.
2. Включите систему вытяжки (если присоединена), и только затем саму машинку.
3. Рекомендуется выполнять более короткие проходы вдоль кромки заготовки, а не длинные и медленные.
4. Дайте машинке сделать свою работу и не прижимайте ее к заготовке с чрезмерным усилием: это чревато повреждением заготовки и инструмента или травмами пользователя.

**Примечание.** При работе с направляющей всегда начинайте шлифование с угла или края заготовки. Прижимте направляющую к заготовке и медленно подавайте инструмент к поверхности.

## Шлифование машинкой, установленной на верстаке в перевернутом положении

**⚠ ВНИМАНИЕ!** Перед установкой или демонтажем шпиндельной шлифовальной машинки с верстака всегда отключайте ее и отсоединяйте от источника питания.

• Портативная шлифовальная машинка эффективно обрабатывает кромки различных заготовок, если надежно установить ее на верстаке в перевернутом положении (G).

1. Положите подкладку для крепления к верстаку рядом с краем устойчивого верстака.
2. Установите портативную шлифовальную машинку в перевернутом виде на подкладку и прикрепите ее к верстаку с помощью зажимов для крепления к верстаку (13). Затяните гайки-барашки зажимов так, чтобы машинка надежно держалась на верстаке.
3. Присоедините шланг системы вытяжки пыли к переходнику соединителя для отвода пыли (если необходима вытяжка).

**Примечание.** При эксплуатации машинки, установленной в перевернутом виде на верстаке, рекомендуется всегда использовать совместимую систему вытяжки пыли.

- Выберите желаемую скорость ручной регулировки (1).
- Включите систему вытяжки (если присоединена), а затем – машинку.
- Используйте шлифовальную подошву (8) в качестве опоры для заготовки.
- Дайте машинке делать свою работу и не прижимайте шлифовальную втулку (9) слишком сильно к заготовке: это чревато повреждением заготовки и инструмента или травмами пользователя.

## Рекомендации по шлифованию

- Систему вытяжки (если инструментом подключен к ней) включают до включения машинки.
- По возможности, крепите заготовки к верстаку струбцинами. Добивайтесь того, чтобы заготовки не могли сместиться во время работы.

**⚠ ВНИМАНИЕ!** Чрезмерное давление не ускоряет снятие припуска, но приводит к преждевременному износу шлифовальной втулки (9) и может вызвать поломку машинки. Производительность шлифования и качество получаемой поверхности зависит, главным образом, от выбора шлифовальной втулки (смотрите «Выбор шлифовальной втулки по зернистости»).

## Шлифование металла

**⚠ ВНИМАНИЕ!** При шлифовании металлов принимают дополнительные меры предосторожности.

- К шлифовальной машине ВСЕГДА должно быть подключено подходящее устройство защитного отключения (УЗО).
- Шлифовальная машина ВСЕГДА должна быть подключена к подходящей цеховой системе вытяжки.
- Перед шлифованием металла тщательно очистите инструмент.
- ⚠ ВНИМАНИЕ!** Раскаленные частицы металла и искры могут воспалить остатки древесной пыли. Переходя от обработки дерева к обработке металла или наоборот, ВСЕГДА ТЩАТЕЛЬНО очищайте инструмент.
- Шлифовальную втулку, которая использовалась для обработки металла, нельзя использовать по дереву. Оставшиеся металлические частицы могут поцарапать и повредить поверхность заготовки.

## Оснастка

- Местный дилер Triton предоставляет широкий выбор оснастки, включая шлифовальные втулки различной зернистости. Ради собственной безопасности пользуйтесь только оригинальной оснасткой Triton.
- Заказывать можно приобретать у местного дилера Triton или напрямую на сайте [www.toolsparsonline.com](http://www.toolsparsonline.com).

## Техническое обслуживание

**⚠ ВНИМАНИЕ!** Обслуживание/очистка разрешается начинать только после того, как инструмент будет отключен от источника питания.

## Общий осмотр

- Регулярно проверяйте затяжку всех крепежных винтов. Со временем затяжка может ослабевать от вибрации.
- Перед каждым использованием инструмента осматривайте шнур питания на предмет повреждений или износа. Ремонтные операции должны проводиться только официальным сервисным центром или техником Triton. Эта рекомендация распространяется и на шнуры-удлинители, используемые с инструментом.

## Смазка

- Все движущиеся детали должны регулярно смазываться подходящей распыляемой смазкой.

## Очистка

- Всегда держите инструмент в чистоте. Пыль и грязь ускоряют износ внутренних деталей и сокращают срок службы устройства.
- Для чистки корпуса используйте мягкую щетку или сухую тряпку.
- Запрещается использовать щелочные вещества для очистки пластиковых деталей. Если сухая чистка не дает желаемого результата, рекомендуется протереть инструмент влажной тряпкой с мягким моющим средством.
- Не допускайте контакта инструмента с водой.
- Тщательно высушите инструмент перед использованием.
- По возможности рекомендуется продувать вентиляционные отверстия сухим и чистым сжатым воздухом (при необходимости).

## Поверхности барабана для шлифовальной втулки

- Поверхность барабана для шлифовальной втулки (15) необходимо содержать в чистоте, не допуская попадания грязи и посторонних объектов (волос, волокон, песка и т.д.).
- Состояние этой поверхности напрямую влияет на качество крепления оснастки.
- В результате интенсивной эксплуатации барабаны для шлифовальных втулок изнашиваются, и их диаметр не обеспечивает нормальное крепление втулок.

**Примечание.** На барабаны для шлифовальных втулок гарантия не распространяется. Запасные барабаны можно приобрести в официальном сервисном центре Triton.

## Очистка соединителя для отвода пыли

- Время от времени может потребоваться очистка соединителя для отвода пыли и канала.

  - Чтобы очистить соединитель и канал, снимите барабан для шлифовальной втулки (15) (см. раздел «Установка шлифовальной втулки»).
  - Возьмите отвертку (не поставляется с инструментом), выкрутите винты в шлифовальной подошве (8) и снимите подошву. Не потеряйте шайбы в каждого крепежного отверстия под шлифовальной подошвой (H).
  - Снимите металлическую пластину со шлифовальной подошвы, чтобы обнажить канал (I).
  - Прочистите внутренний канал, соединитель для отвода пыли и полость для ремня щеткой, после чего продуйте их сжатым воздухом.
  - После очистки установите шлифовальную подошву на место и закрепите ее винтами.
  - Установите обратно барабан для шлифовальной втулки.

**⚠ ВНИМАНИЕ!** После очистки проследите за тем, чтобы все шайбы, винты и болты были установлены на место и надлежащим образом затянуты. Только после этого можно возобновлять эксплуатацию машинки. Если инструмент слишком сильно вибрирует или издает необычные звуки, ПРЕКРАТИТЕ работу и отсоедините вилку от розетки. Выполните процедуру очистки заново и убедитесь, что все детали установлены на место правильно. Если звук и вибрация не устраняются, обратитесь к квалифицированному специалисту по обслуживанию Triton.

## Хранение

После работы укладывайте инструмент и оснастку в чемоданчик. Храните его в сухом, надежном, недоступном для детей месте.

Контактные данные

За рекомендациями по техническому обслуживанию или ремонту обращайтесь на горячую линию по телефону (+44) 1935 382 222

Сайт: [tritontools.com/ru-RU/Support](http://tritontools.com/ru-RU/Support)

**Адрес (СК):**  
Toolstream Ltd.  
Boundary Way  
Lufton Trading Estate  
Yeovil, Somerset  
BA22 8HZ, United Kingdom (Великобритания)

**Адрес (ЕС):**  
Toolstream B.V.  
De Katen  
00004  
5651 GJ  
Eindhoven, Нидерланды

## Утилизация

Утилизация неработающего и не подлежащего ремонту электроинструмента должна выполняться в строгом соответствии с государственными нормативами.

- Запрещается утилизировать электроинструмент, аккумуляторы и лом электрического и электронного оборудования с бытовым мусором.
- Обратитесь в местное управление по утилизации отходов за информацией о правильных методах утилизации электроинструмента и аккумуляторов.

## Поиск и устранение неисправностей

Неисправность	Возможная причина	Метод устранения
Не срабатывает выключатель (2).	Отсутствует питание.	Проверьте источник питания.
	Неисправен выключатель.	Сдайте инструмент в официальный сервисный центр Triton на замену выключателя.
Прерывистое вращение, потеря мощности и/или искрение электродвигателя и/или запах горелого во время работы.	Изношены графитовые щетки.	Сдайте инструмент на замену щеток в официальный сервисный центр Triton.
После включения выключателя (2), абразивный инструмент не начинает вращаться, несмотря на то, что электродвигатель работает.	Зубчатые колеса не зацепляются.	Обратитесь в сервисный центр Triton.
Медленное удаление припуска.	Слишком мелкая зернистость или высокий износ шлифовальной втулки (9).	Установите новую втулку с большим размером зерна.
	Слишком низкая частота вращения инструмента.	Увеличьте частоту вращения.
Царапины на заготовке после шлифования.	Слишком грубая шлифовальная втулка.	Установите новую втулку с меньшим размером зерна.
	Снят недостаточный припуск.	Продолжайте шлифование.
Прижоги на заготовке.	Шлифовальная втулка не соответствует обрабатываемому материалу.	Установите подходящую шлифовальную втулку.
	Слишком высокая частота вращения инструмента.	Уменьшите частоту вращения.
	Слишком высокое давление на шлифовальную машину.	Уменьшите давление на машину во время работы.
Образуется слишком много пыли.	Не присоединена или не включена система вытяжки.	Проверьте соединение шланга вытяжки переходник к соединению для отвода пыли (7) (если используется), убедитесь, что система вытяжки включена.
	Вытяжка пыли не работает; система вытяжки засорена.	Проверьте систему вытяжки, прочистите ее (смотрите раздел «Очистка соединителя для отвода пыли»). Если проблему устранить не удается, обратитесь в сервисный центр Triton.

